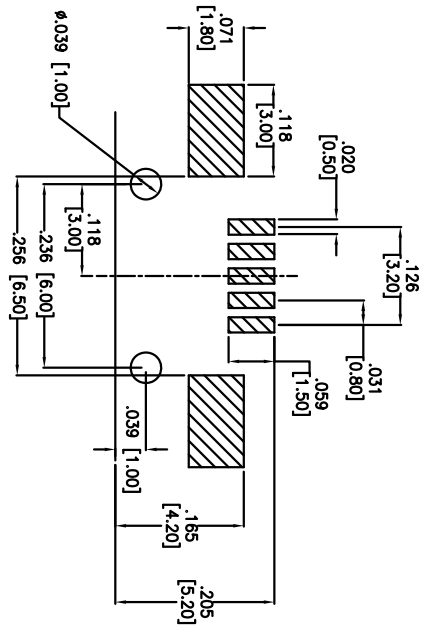
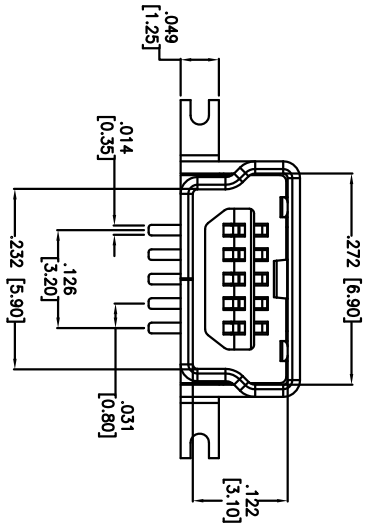
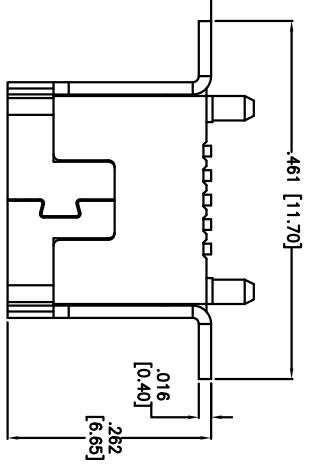
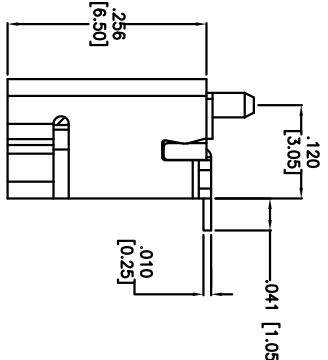
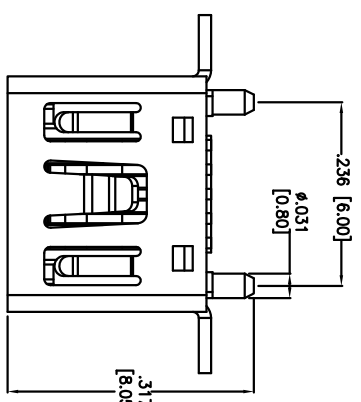


Rev	AWO #	Description	Date	Appr
-		RELEASED	7/13/12	

APPROVED: _____
 DATE: _____ TITLE: _____



RECOMMENDED PCB LAYOUT

SPECIFICATIONS:

- Material: Hi-temp thermoplastic, rated UL 94V-0
- Insulator color: Black
- Contacts: Phosphor Bronze
- Shell: Brass, Nickel Plated
- Plating: Gold Flash over Nickel underplate on contact area, Tin over Copper underplate on PCB tails
- Electrical:
 - Current Rating: 1.0 A AC/DC
 - Voltage Rating: 30 V AC/DC
 - Contact resistance: 50 Mohms max
 - Insulation resistance: 100 Mohms min
 - Dielectric withstanding voltage: 100 VAC for 1 minute
 - Temperature Rating: Operating temperature: -25°C to +80°C
 - Environmental: Lead free, RoHS compliant.



UNLESS OTHERWISE SPECIFIED ALL DIMENSIONS ARE MM TOLERANCES: EXCEPT AS NOTED	
XX ± 0.25	
XXX ± 0.20	

ADAM TECH
 909 Rahway Avenue, Union, NJ 07083
 Phone: 908-687-5000 Fax: 908-687-5710

APPROVALS		DATE	TITLE
DRAWN	AY	7/13/12	MINI USB, TYPE B, 5PIN, VERTICAL, TRUE SMT
CHECKED	AH	7/13/12	
APPROVED			

SIZE	PART NO.	REV.
X	MUSB-B5-S-VT-TSMT-1	-
REF:	S00126T	SCALE: NTS
		SHEET 1 OF 1