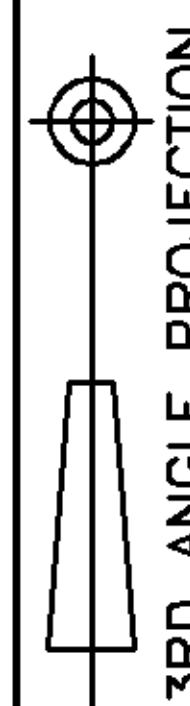


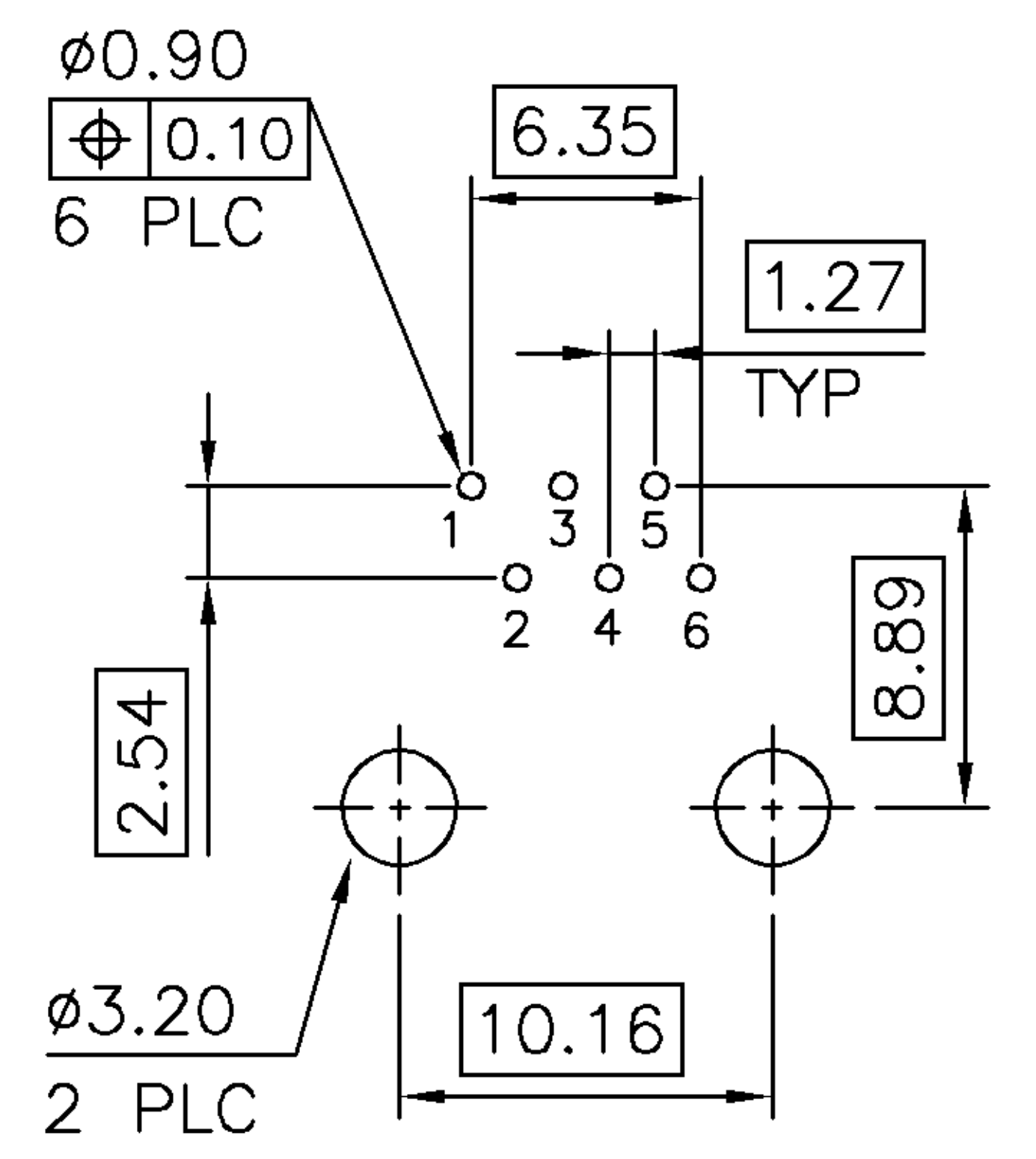
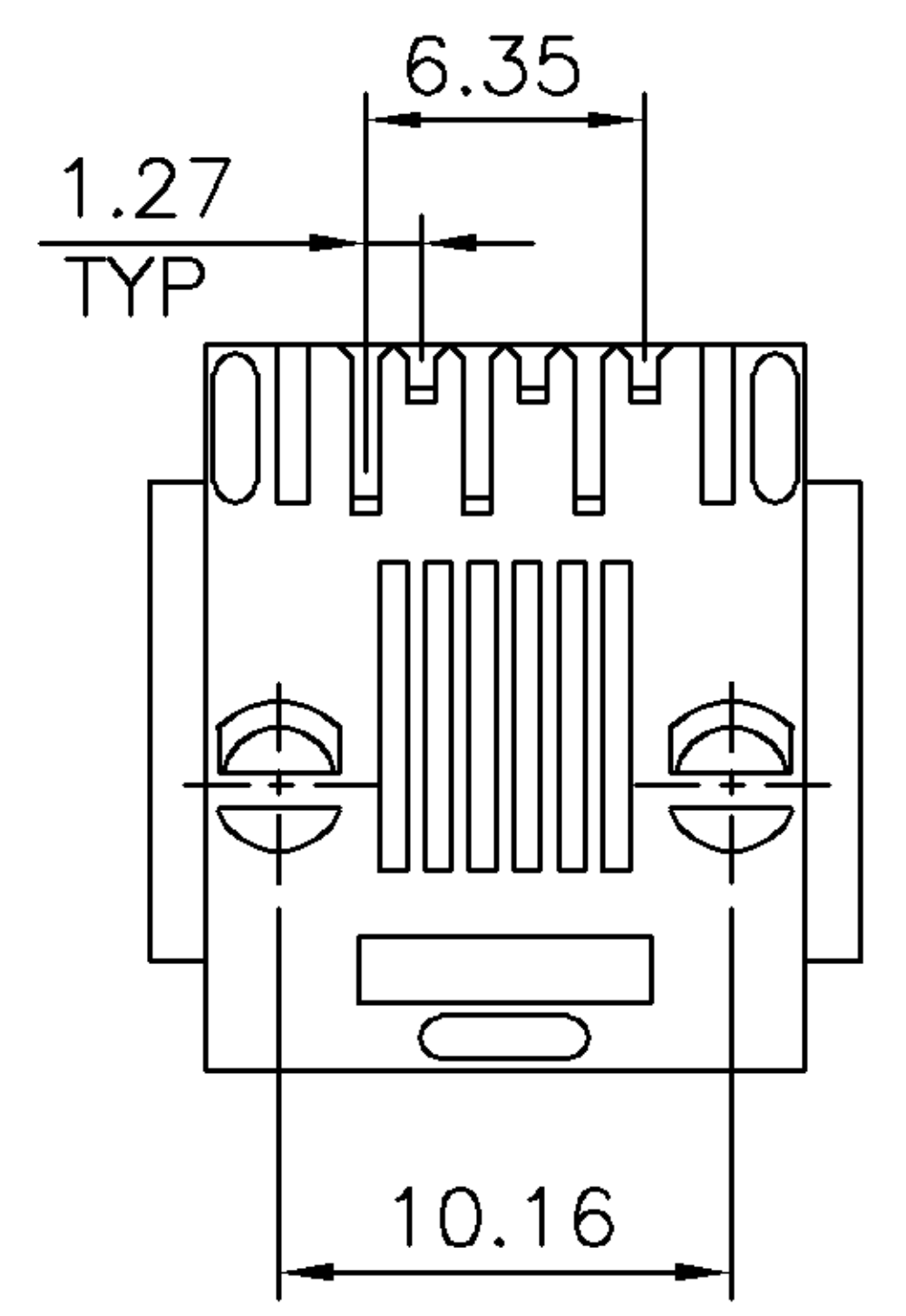
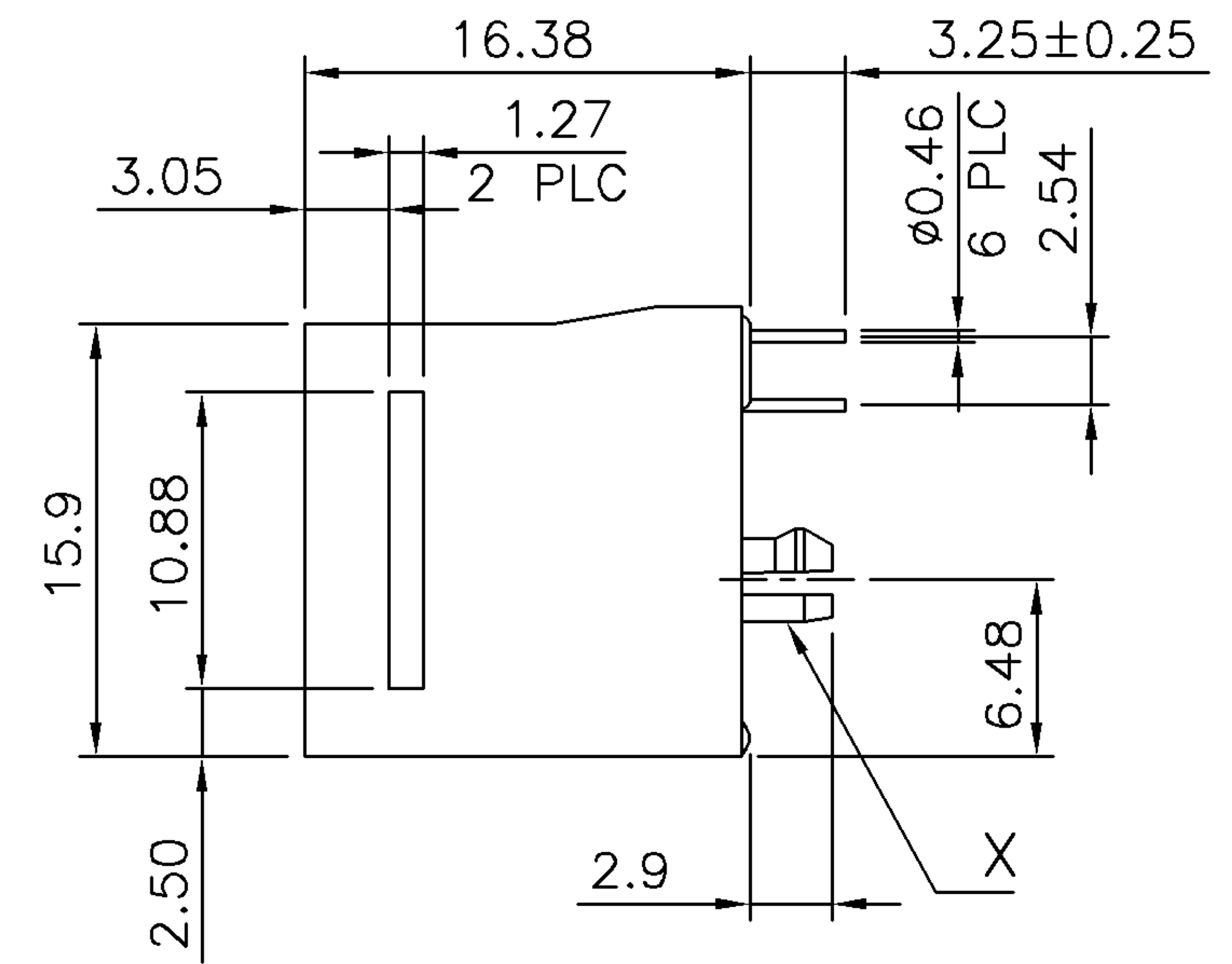
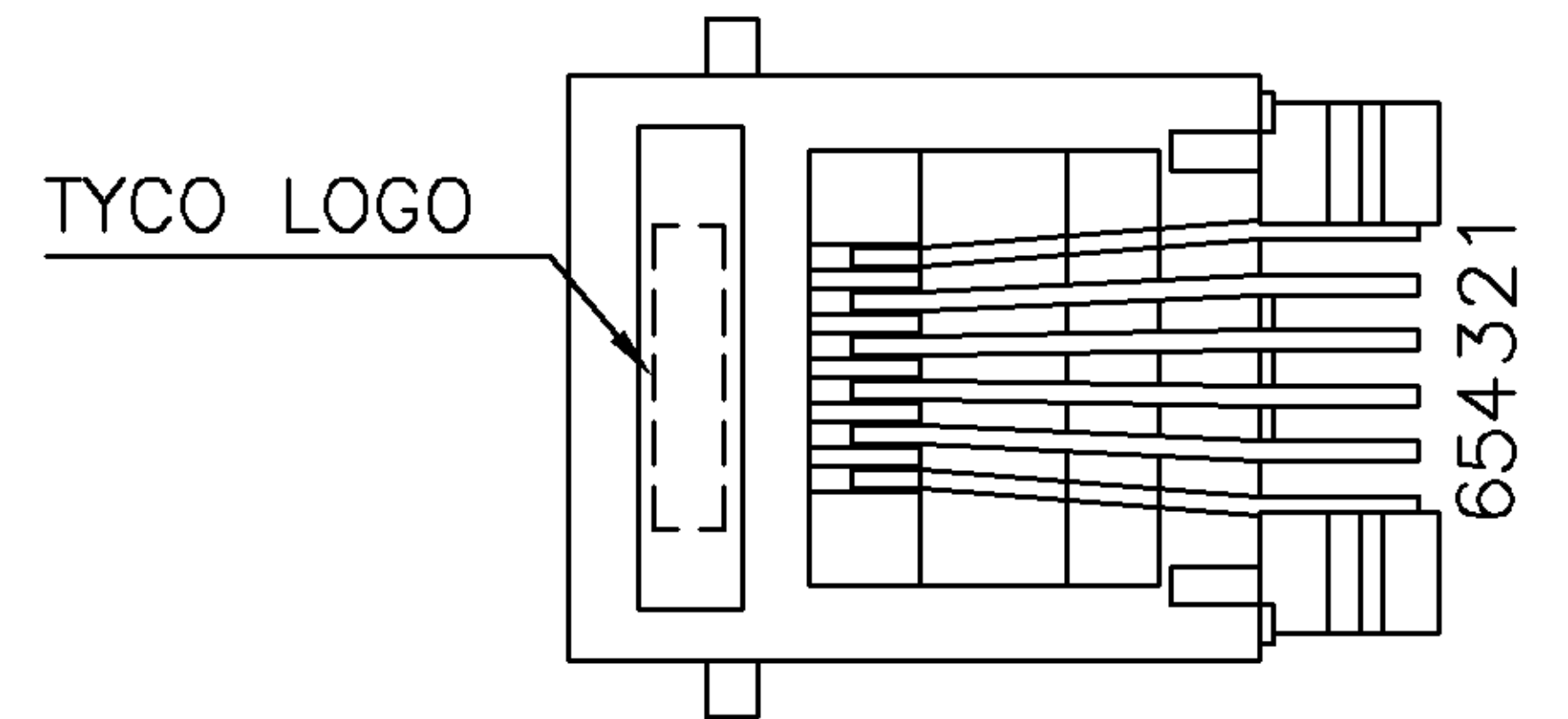
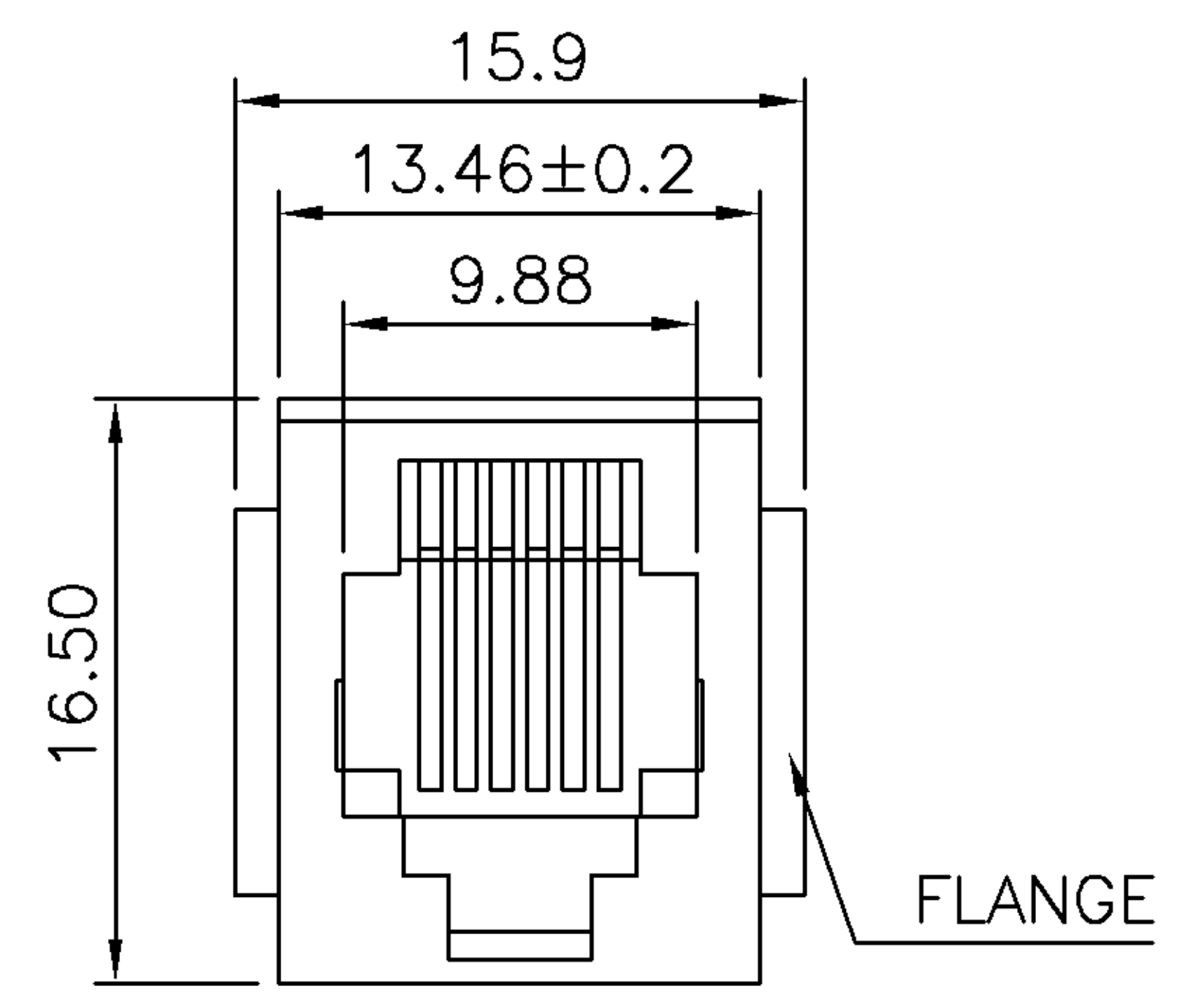
THIS INFORMATION IS CONFIDENTIAL AND IS DISCLOSED TO YOU ON CONDITION THAT NO FURTHER DISCLOSURE IS MADE BY YOU TO OTHER THAN AMP PERSONNEL WITHOUT WRITTEN AUTHORIZATION FROM AMP (TAIWAN) LTD. DIMENSIONS IN MILLIMETERS. DO NOT SCALE PRINT.

NUMBER
C-1775380

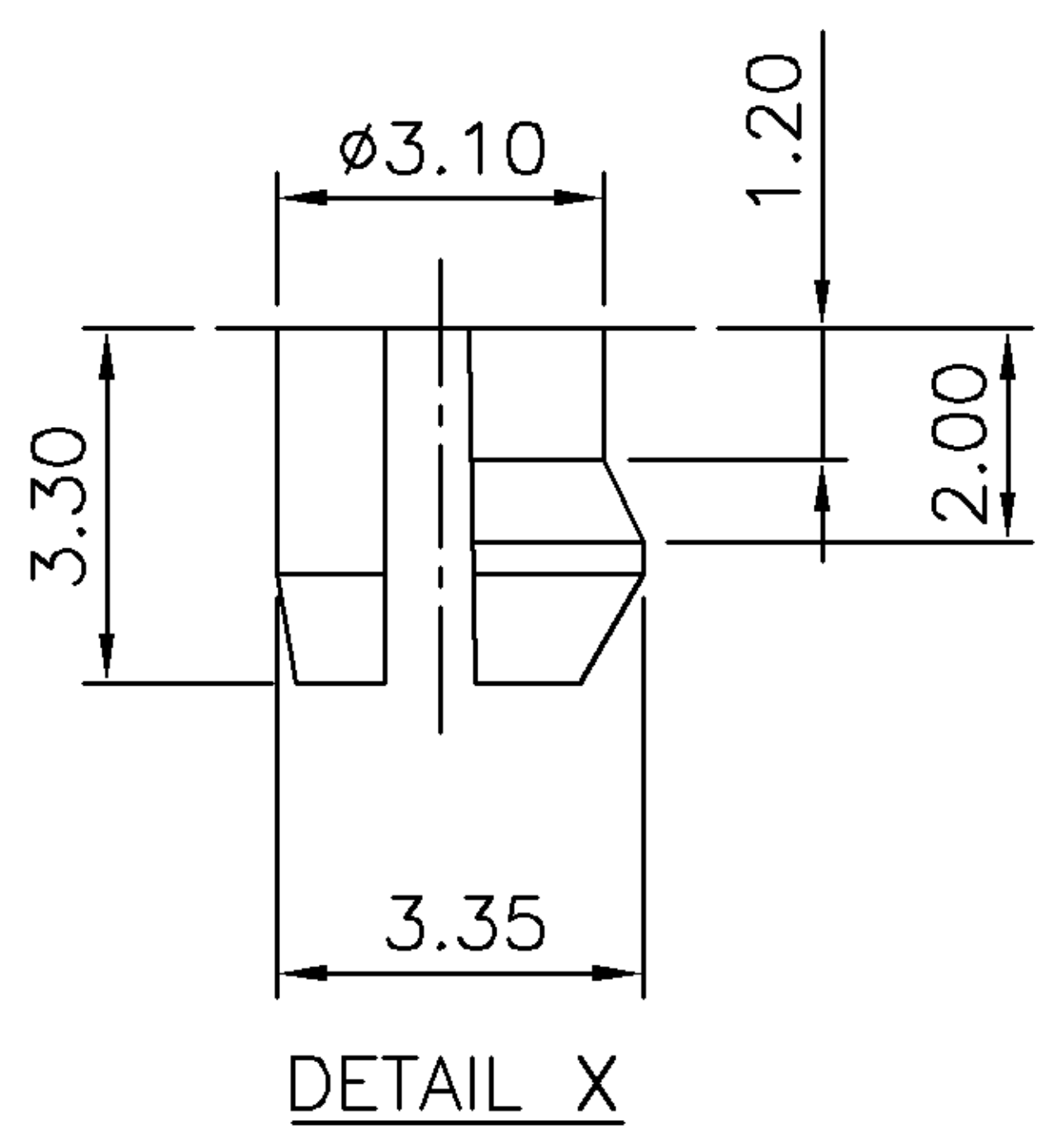


METRIC

PRINT DIST
DW



RECOMMENDED PCB LAYOUT (THICKNESS: 1.6mm)
DIMENSION TOLERANCE: (1 PLC:±0.1, 2 PLC:±0.05)



NOTE:

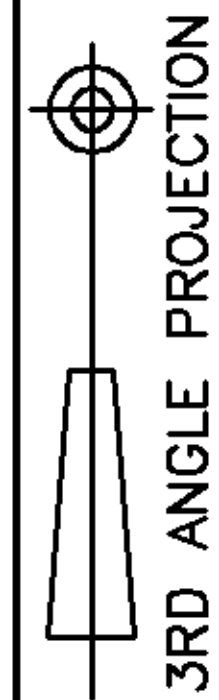
- MATERIAL:
HOUSING: THERMOPLASTIC, UL94V-0, COLOR: BLACK.
CONTACT: PHOSPHOR BRONZE, DIAMETER: 0.46mm.
- FINISH:
CONTACT: GOLD PLATED (SEE TABLE) OVER 50u" MIN.
NICKEL UNDER PLATED ALL OVER.
- WAVE SOLDER CAPABLE TO 260°C PER TYCO SPEC 109-202, CONDITION C.

| | | |
|------------|---------------------|-------------|
| 6P2C | 50μ" | 2-1775380-4 |
| | 30μ" | 2-1775380-3 |
| | 15μ" | 2-1775380-2 |
| | 6μ" | 2-1775380-1 |
| 6P4C | 50μ" | 1-1775380-4 |
| | 30μ" | 1-1775380-3 |
| | 15μ" | 1-1775380-2 |
| | 6μ" | 1-1775380-1 |
| 6P6C | 50μ" | 1775380-4 |
| | 30μ" | 1775380-3 |
| | 15μ" | 1775380-2 |
| | 6μ" | 1775380-1 |
| POS/ CONT. | MIN. GOLD THICKNESS | PART NUMBER |

| | | | | | |
|------------------------------------------------------------------------------------------------------------------|--------|-------------|----------------------------------------------------|------------|--------|
| TOLERANCES UNLESS OTHERWISE SPECIFIED: 0 PLC ±0.50 1 PLC ±0.30 2 PLC ±0.20 3 PLC ±0.10 ANGLES ±3' | DWN | O. HU | TYCO HOLDINGS (BERMUDA) VII LTD. TAIWAN BRANCH | | |
| | | 04-MAY-2006 | | | |
| MATERIAL SEE NOTE | CHK | S. HOU | NAME MODULAR JACK, SINGLE, DIP, TOP ENTRY | | |
| | | 04-MAY-2006 | | | |
| FINISH SEE NOTE | APVD | W.J. KE | PRODUCT SPEC 108-57535 | | |
| | | 04-MAY-2006 | | | |
| QUALIFICATION TEST REPORT 501-57718 | LOC | DW | SIZE | DRAWING NO | REV |
| | WEIGHT | SCALE | | | |
| | 3.0g | -- | | C-1775380 | A |
| | | | | | 1 OF 2 |

| | | | | |
|-----|-----------------|-----|-----|-------|
| A | FIRST RELEASED | | OH | 05MAY |
| LTR | REVISION RECORD | ECN | DWN | 2006 |
| | | | CHK | DATE |

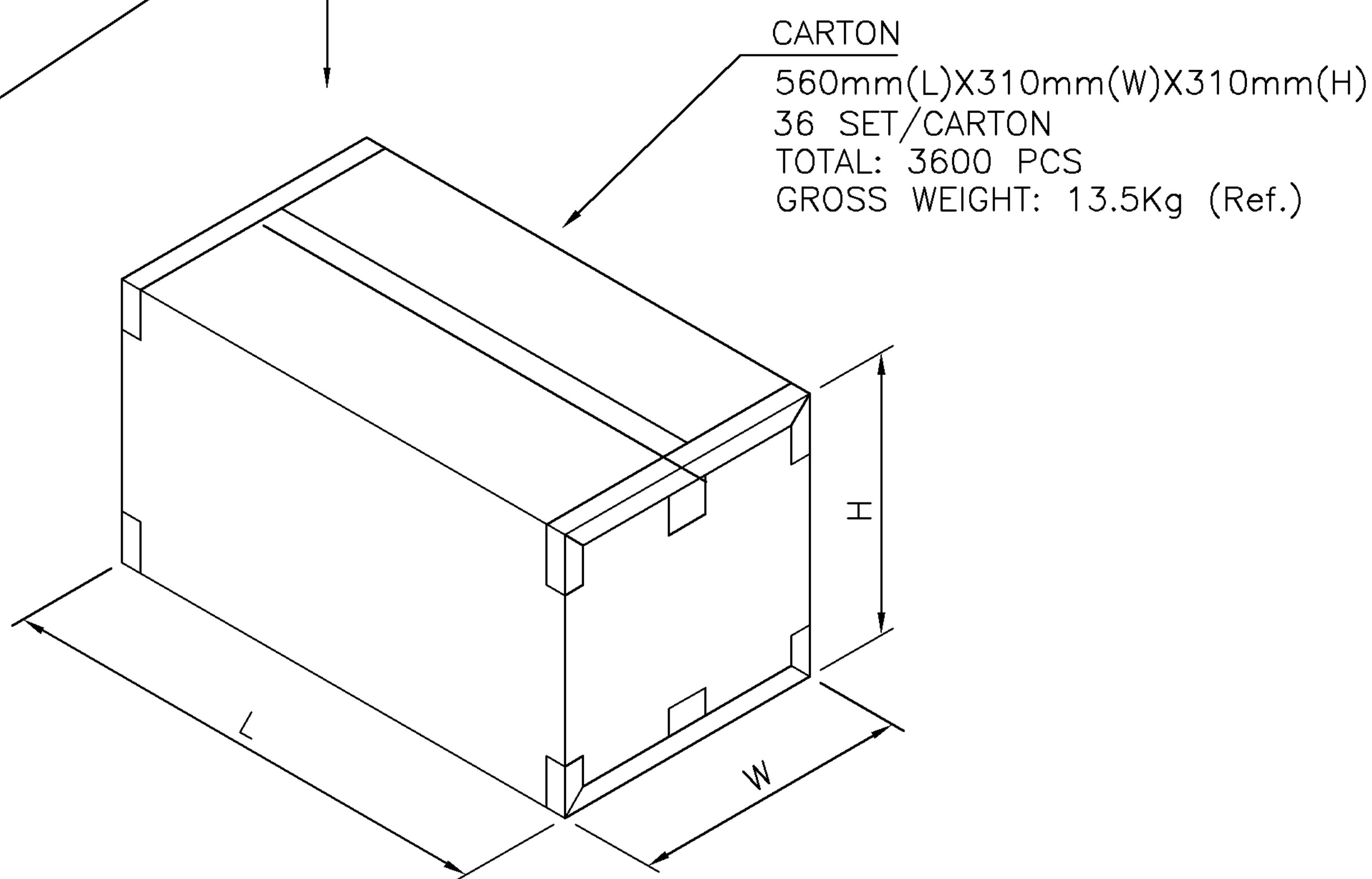
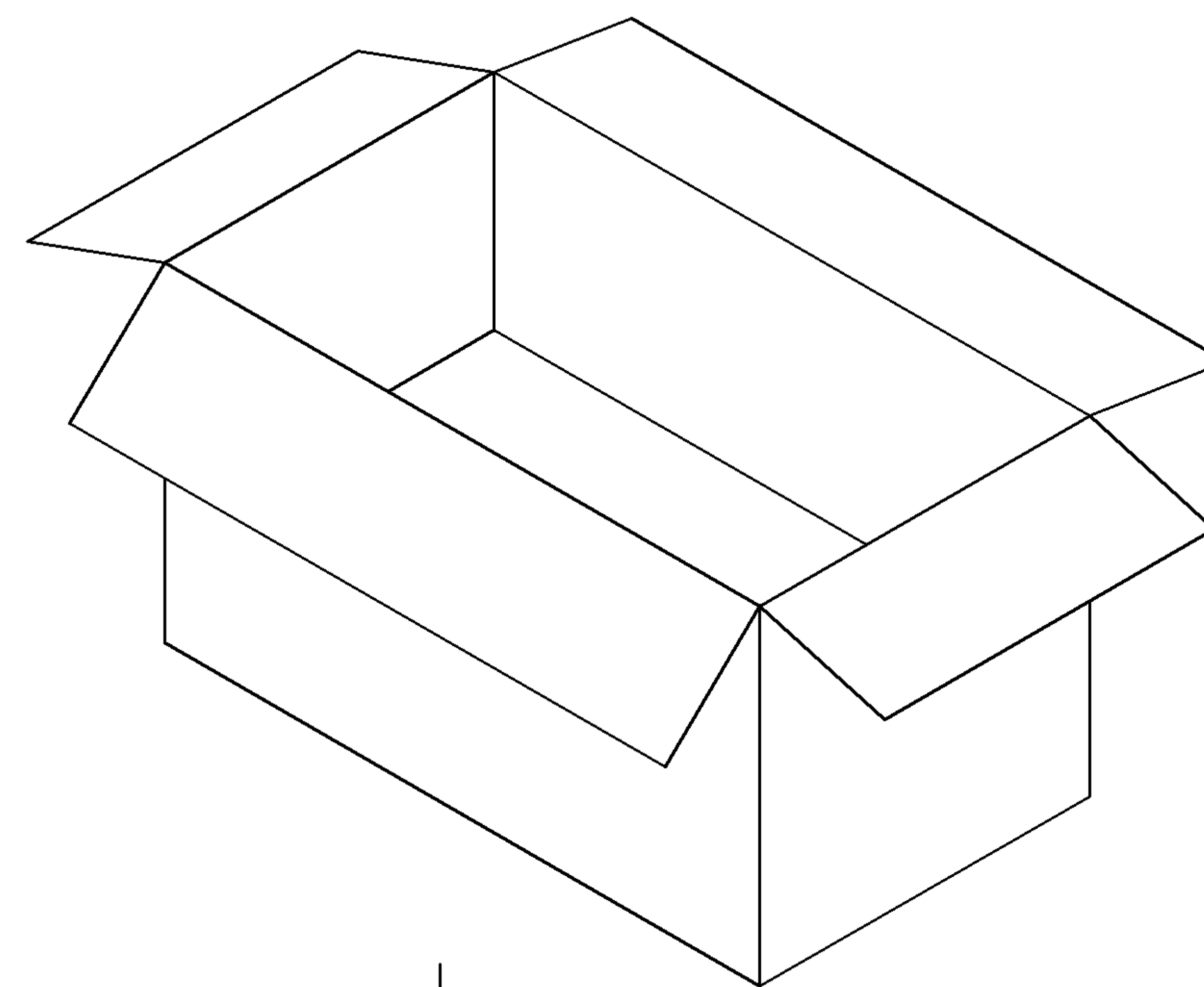
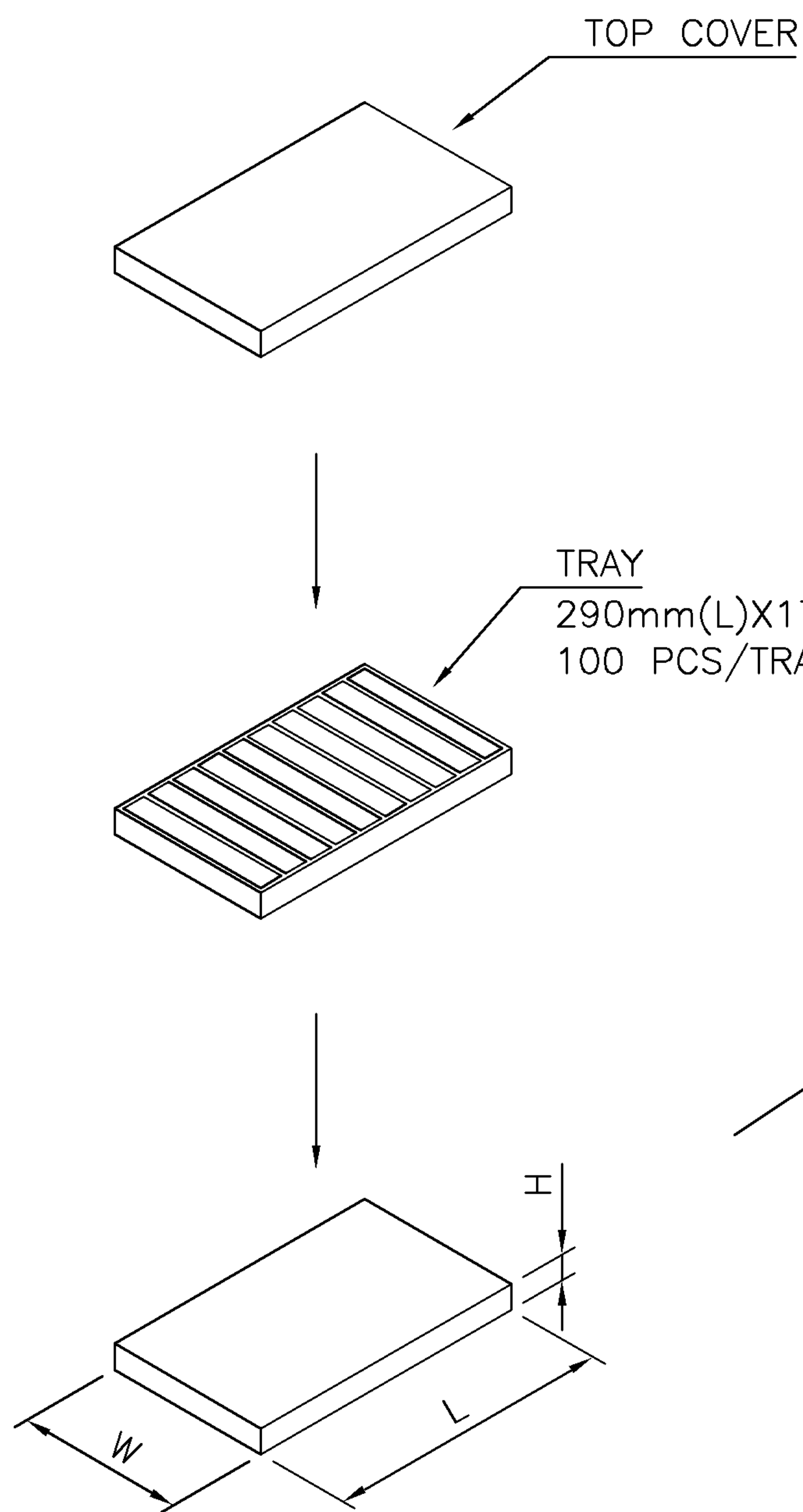
NUMBER
C-1775380



METRIC

THIS INFORMATION IS CONFIDENTIAL AND IS DISCLOSED TO YOU ON CONDITION THAT NO FURTHER DISCLOSURE IS MADE BY YOU TO OTHER THAN AMP PERSONNEL WITHOUT WRITTEN AUTHORIZATION FROM AMP (TAIWAN) LTD. DIMENSIONS IN MILLIMETERS. DO NOT SCALE PRINT.

PRINT
DW



| | | | | |
|--------------|-----------------|-----|-----|------|
| SEE SHEET 1. | ECN | DWN | CHK | DATE |
| LTR | REVISION RECORD | | | |

| | | | | | | |
|------------------------------------------------------------------------------------------------|------------------|-------------|----------------------------------------------------------------------------------|----------------|------------|-----|
| TOLERANCES UNLESS OTHERWISE SPECIFIED: 0 PLC ± 1 PLC ± 2 PLC ± 3 PLC ± ANGLES ± | DWN | O. HU | tyco TYCO HOLDINGS (BERMUDA) Electronics VII LTD. TAIWAN BRANCH | | | |
| | | 04-MAY-2006 | | | | |
| MATERIAL SEE NOTE | CHK | S. HOU | NAME MODULAR JACK, SINGLE, DIP, TOP ENTRY | | | |
| | | 04-MAY-2006 | | | | |
| FINISH SEE NOTE | APVD | W.J. KE | LOC | SIZE | DRAWING NO | REV |
| | | 04-MAY-2006 | DW | A ₃ | C-1775380 | A |
| | PRODUCT SPEC | - | SCALE | SHEET | | |
| | APPLICATION SPEC | - | -- | 2 OF 2 | | |
| | WEIGHT | - | | | | |