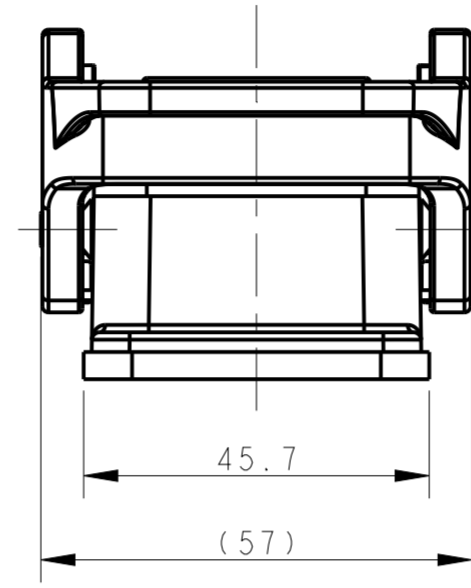
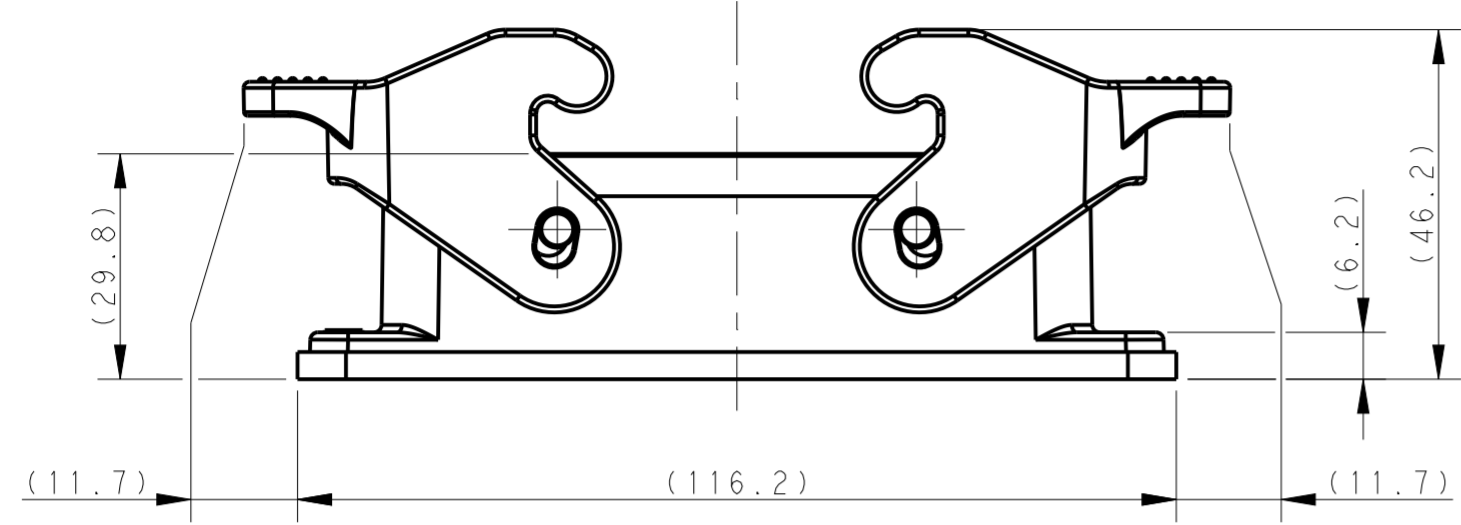


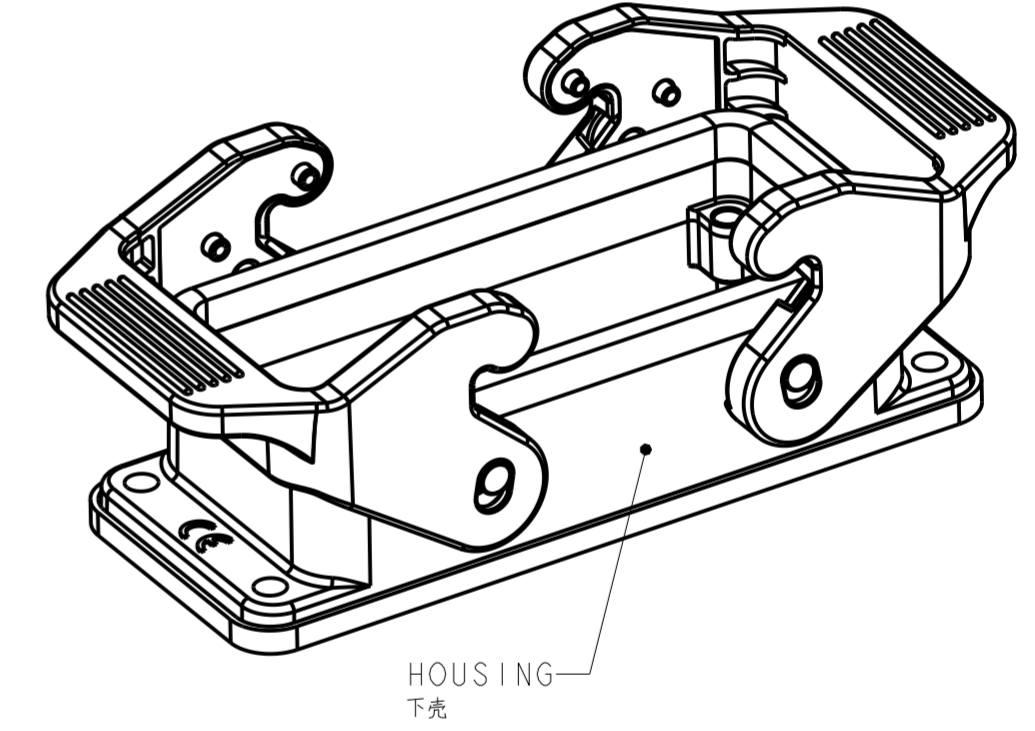
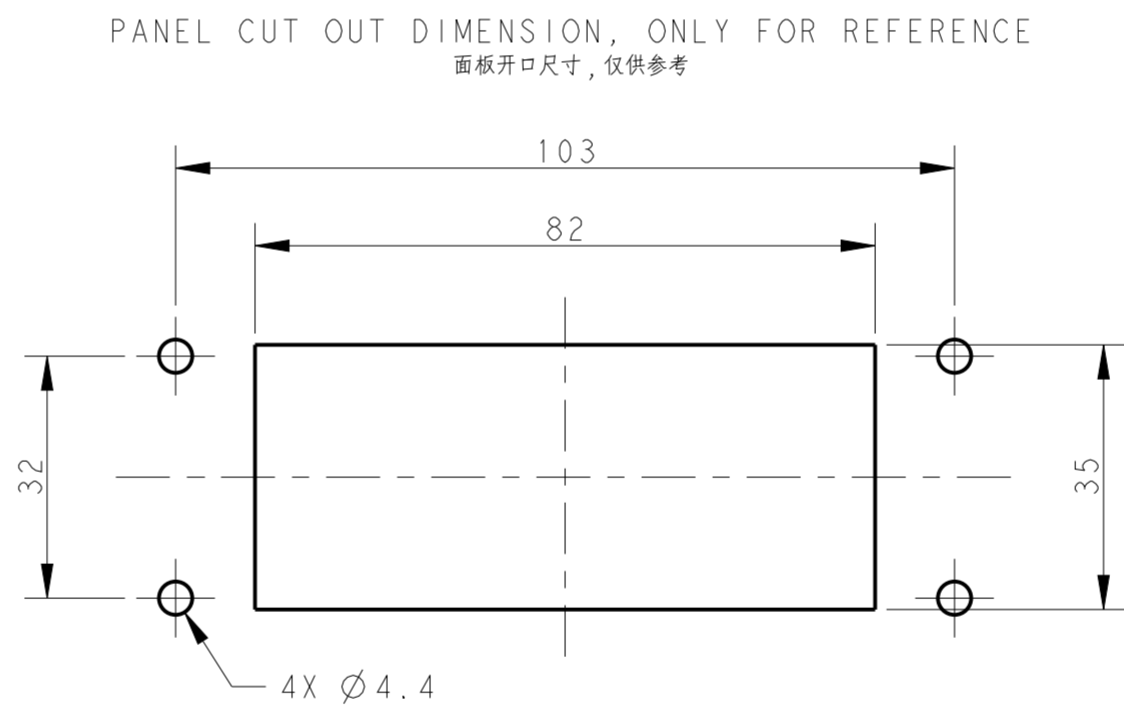
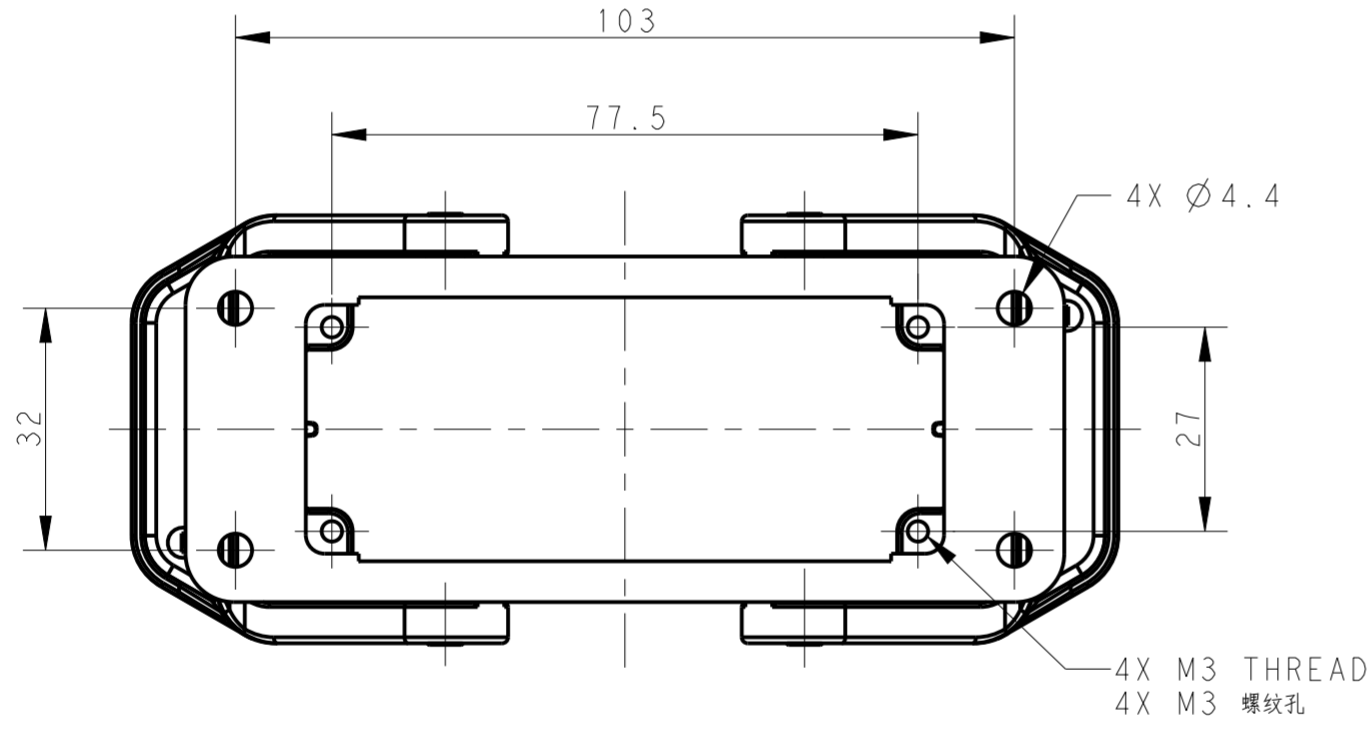
THIS DRAWING IS UNPUBLISHED. RELEASED FOR PUBLICATION 20  
 © COPYRIGHT 20 BY - ALL RIGHTS RESERVED.

REVISIONS				
P	LTR	DESCRIPTION	DATE	APVD
A		INITIAL RELEASE	06APR2017	DW CW
B		ECR-20-014388	07DEC2020	WOR CW



NOTES:  
 1. TECHNICAL CHARACTERISTICS:  
 HOUSING MATERIAL: DIE CAST ALUMINIUM ALLOY  
 HOUSING SURFACE: POWDER COATED, GREY  
 DEGREE OF PROTECTION: IP65 (MATED)

注释:  
 1. 技术参数:  
 下壳材料: 铝合金  
 下壳表面处理: 灰色粉末涂层  
 防护等级: IP65(配合)



TI410160000-000	H16B-AG-SL	H16B HOUSING, BULKHEAD MOUNTED, PLASTIC DOUBLE LOCKING POWDER COATED, GREY H16B下壳, 开孔安装, 塑料双扣, 灰色粉末喷涂
PART NUMBER 零件料号		PART DESCRIPTION 零件描述

THIS DRAWING IS A CONTROLLED DOCUMENT.		DWN 06APR2017 DAVID WANG	TE Connectivity NAME H16B-AG-SL
		CHK 06APR2017 CHRIS WANG	
		APVD 06APR2017 XIANG XU	
		PRODUCT SPEC 108-137018	
DIMENSIONS: mm		APPLICATION SPEC 114-137018	SIZE CAGE CODE DRAWING NO
TOLERANCES UNLESS OTHERWISE SPECIFIED:		WEIGHT -	A200779 C-T1410160000000
0 PLC ±-		RESTRICTED TO	
1 PLC ±-		SCALE 1:1 SHEET 1 OF 1 REV B	
2 PLC ±-			
3 PLC ±-			
4 PLC ±-			
ANGLES ±-			
FINISH -			
MATERIAL -			
		CUSTOMER DRAWING	