

NOTES:

1.0 MATERIALS:

- 1.1 HOUSING & NUTS: STAINLESS STEEL PER ASTM-A582, TYPE 303.
- 1.2 CENTER CONTACT: BERYLLIUM COPPER ROD ALLOY C172, PER ASTM-B196.

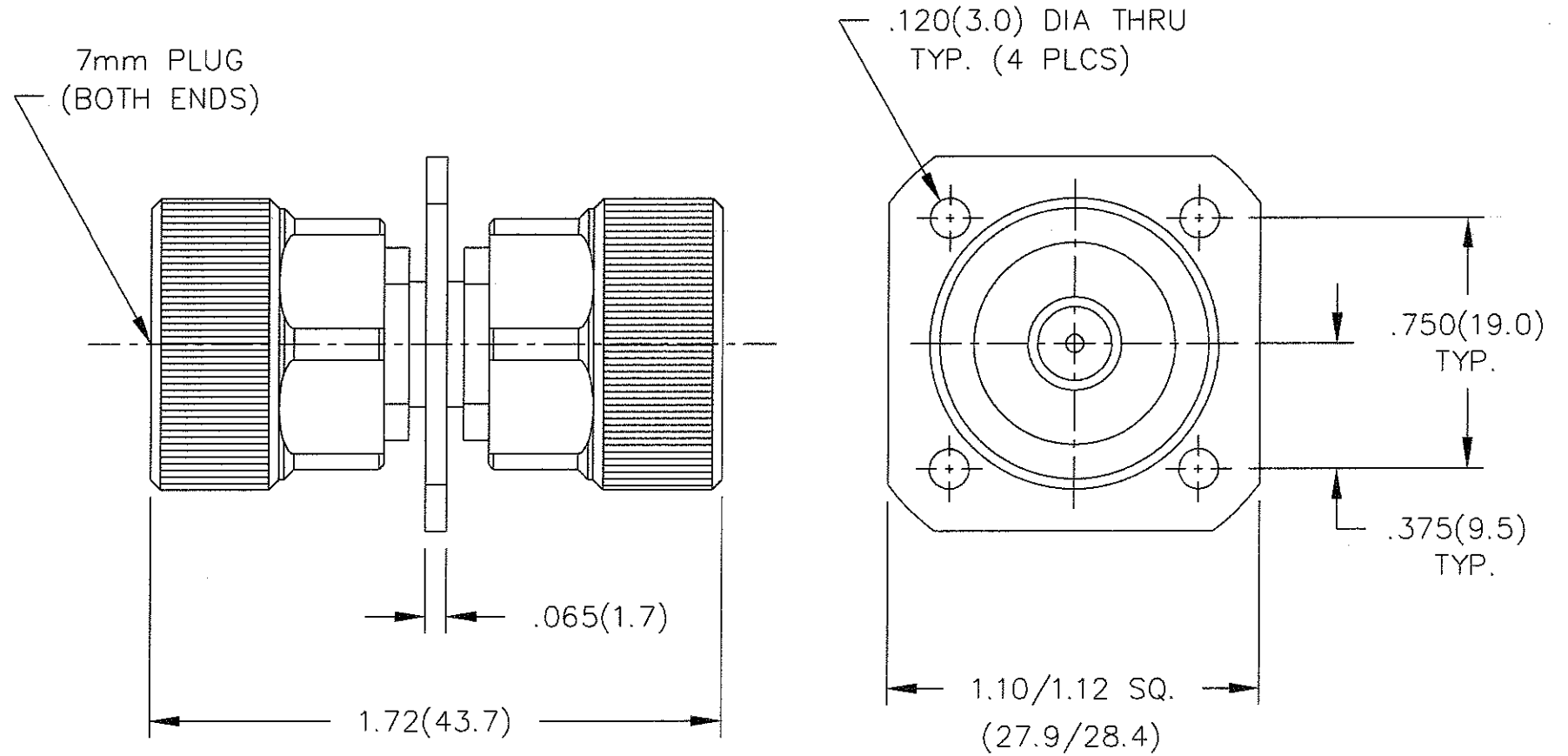
2.0 PLATING:

- 2.1 HOUSING: PASSIVATED PER MIL-F-14072. AND QQ-P-35
- 2.2 CENTER CONTACT: GOLD PER MIL-G-45204, TYPE II, CLASS 2.
- 2.3 7mm NUTS: ELECTROPOLISH (BRIGHT POLISH).

3.0 ELECTRICAL SPECIFICATION:

- 3.1 FREQUENCY RANGE: DC to 18.0 GHz
- 3.2 VSWR (MAXIMUM):  $1.025 + .0025f(\text{GHz})$

4.0 DIMENSIONS IN PARENTHESIS ARE MILLIMETERS.



MODEL NUMBER  
ADT-2667-00-7MM-02  
REV.  
-1

REV.	DESCRIPTION	DATE
-1	RELEASED	11/18/94
-1	ADDED TITLEBLOCK	3/14/05

UNLESS OTHERWISE NOTED DIMENSIONS ARE IN INCHES AND TOLERANCES ARE:  3 PLACE DECIMALS ±.005 2 PLACE DECIMALS ±.02 FRACTIONS ±1/64 PARALLELITY: T.I.R. _____ FLATNESS: T.I.R. _____ CONCENTRICITY: T.I.R. _____ ANGLES AND PERPENDICULARITY: ±1°	FSCM NO. <b>34078</b>	<b>MIDWEST MICROWAVE</b>		
	NOTICE: The information contained in this drawing is proprietary and must not be used without the permission of Midwest Microwave		TITLE ADAPTER - 7mm to 7mm FLANGE MOUNT	
	DRAWN/DATE M.HOLLMAN 11/17/94	ENG./DATE A.OSGA 11/18/94	DRAWING NUMBER ADT-2667-00-7MM-02	
	CHECKED/DATE A.BEATTY 11/7/94	APPROVED/DATE	SCALE: 2=1	SHEET 1 of 1