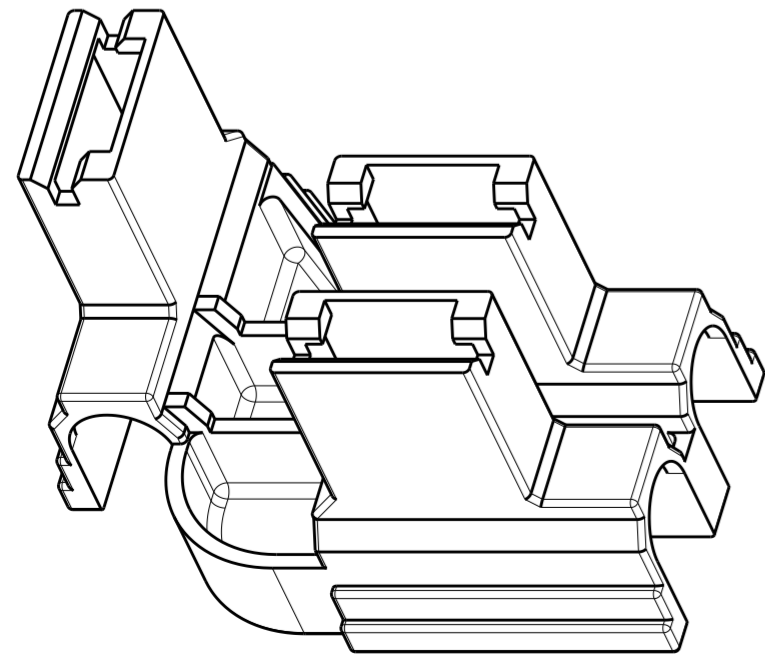
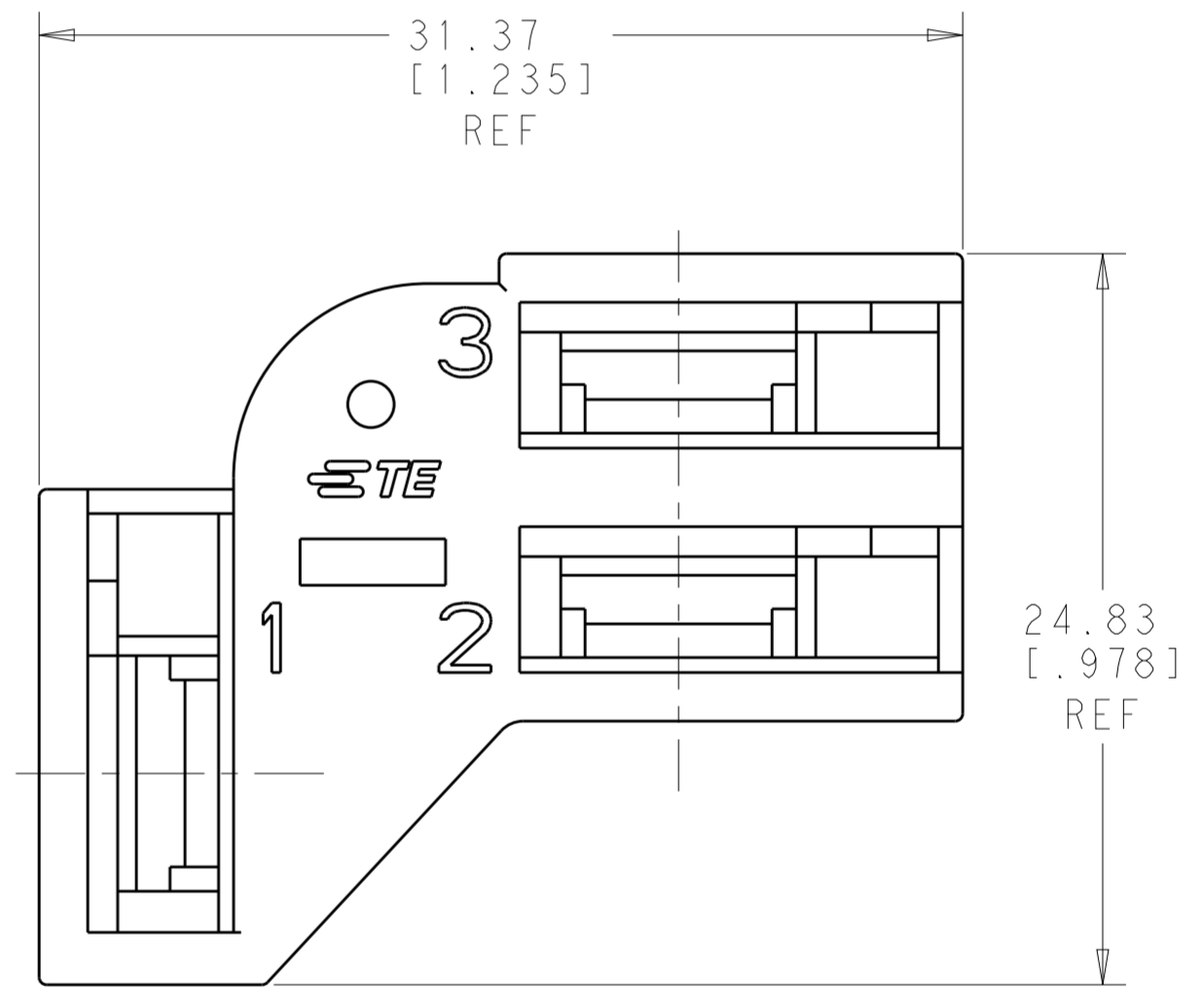
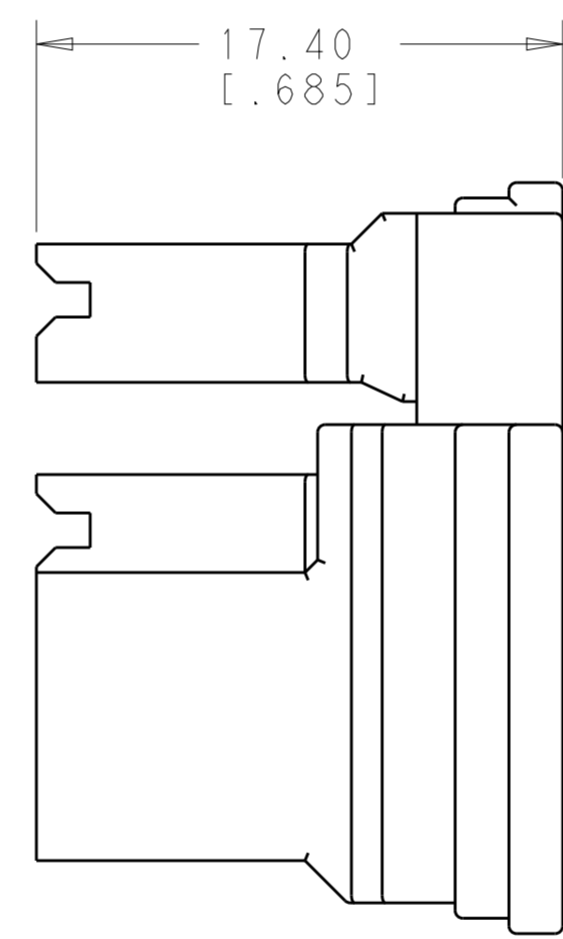
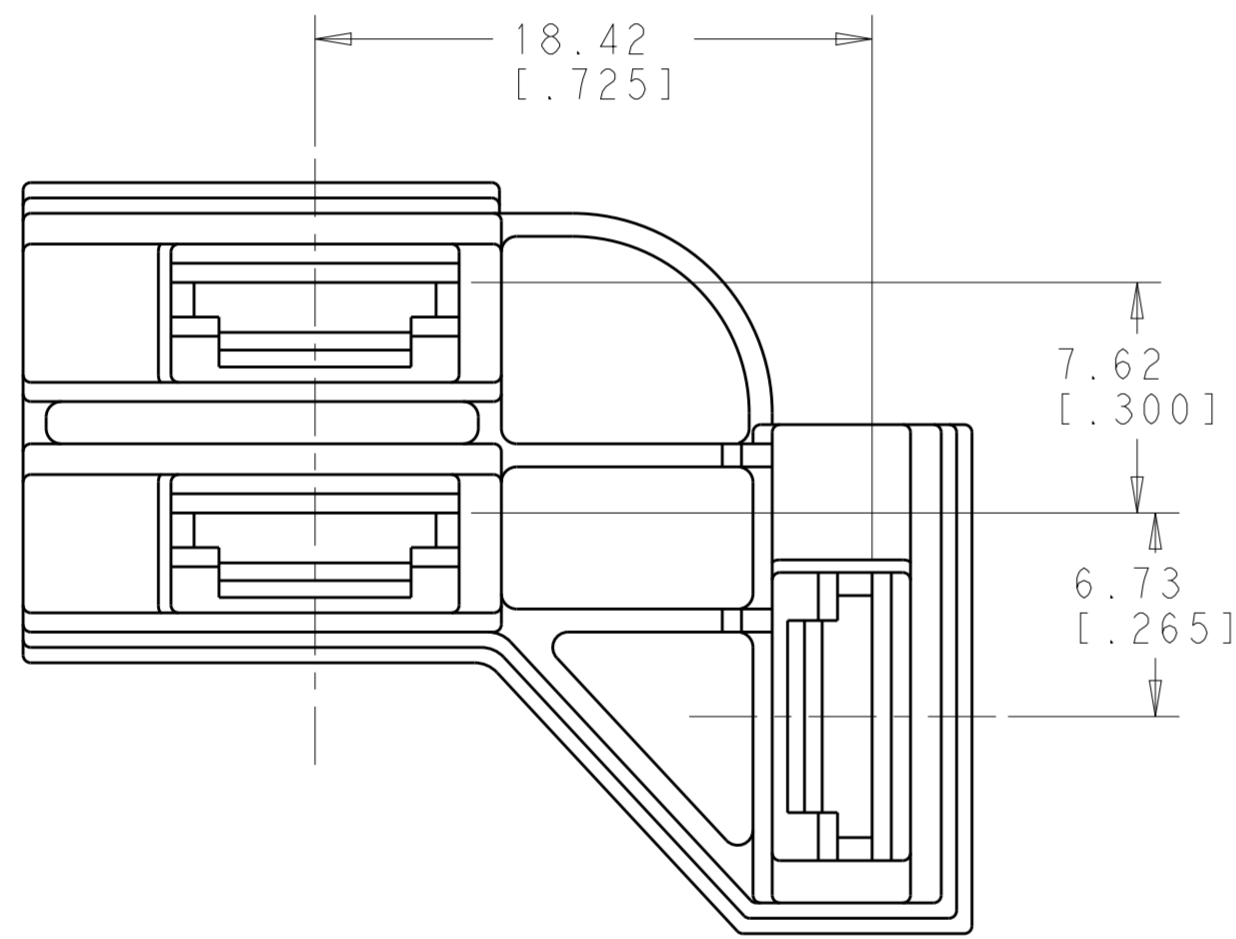
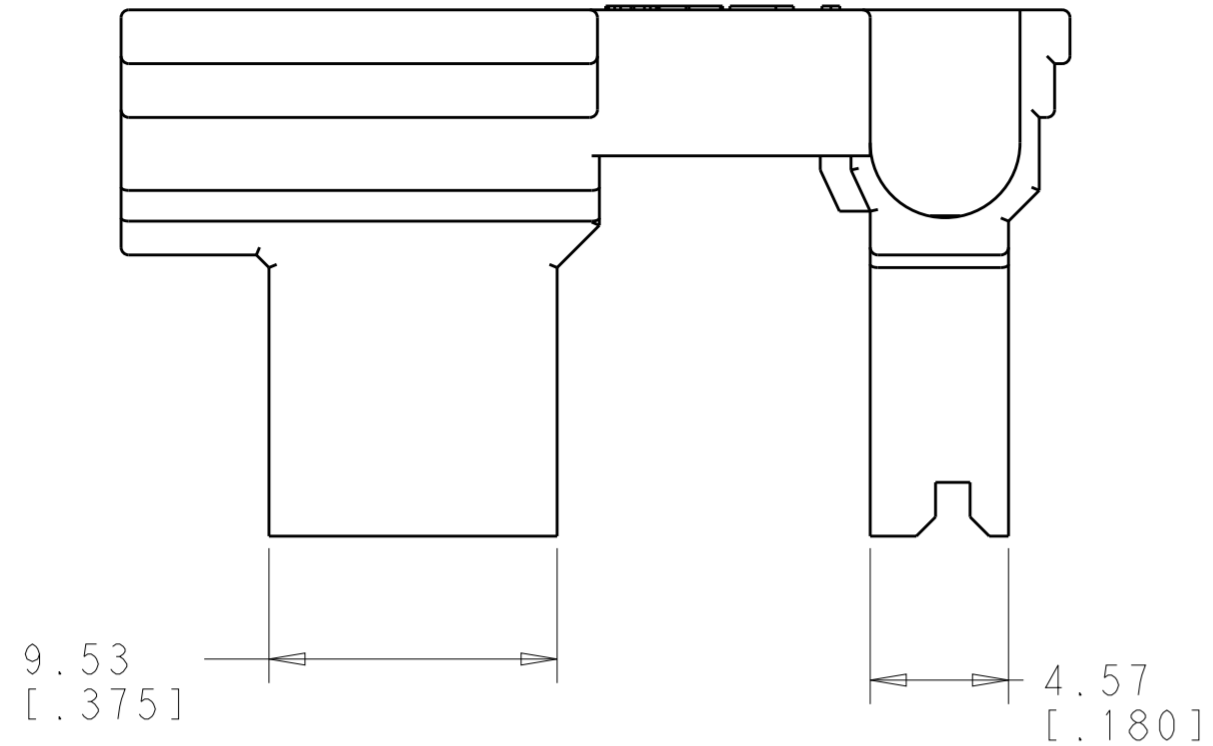


THIS DRAWING IS UNPUBLISHED. RELEASED FOR PUBLICATION 20
 © COPYRIGHT 20 BY - ALL RIGHTS RESERVED.

REVISIONS				
P	LTR	DESCRIPTION	DATE	APVD
	A2	REVISED PER ECR-18-005844	17APR2018	RS DS

- 1 THIS PART ACCEPTS TERMINAL 63009 OR 63963 18-14 GAUGE WIRE.
- 2 FOR PROPER ENGAGEMENT THE MATING TAB MUST HAVE A MIN OF .315 USEABLE LENGTH.
- △ NOT FOR PRODUCTION: AGENCY APPROVAL IS PENDING.



SCALE 3:1

NATURAL	66 Nylon V0 Natural	1-1969705-1
-	-	△ 1969705-1
COLOR	MATERIAL	PART NO.

THIS DRAWING IS A CONTROLLED DOCUMENT.		DWN JR RUTH 17OCT14	STE TE Connectivity	
DIMENSIONS: mm [INCHES]		CHK DAVE HUMPHREY 17OCT14		
TOLERANCES UNLESS OTHERWISE SPECIFIED:		APVD DAVE HUMPHREY 17OCT14	NAME HOUSING, RECEPTACLE, FLAG FASTON, 6.35 [.250] SERIES, 3 POSITION	
0 PLC ±	1 PLC ±	PRODUCT SPEC	SIZE CAGE CODE DRAWING NO RESTRICTED TO	
2 PLC ±0.25 [.010]	3 PLC ±	APPLICATION SPEC	A200779 C-1969705	
4 PLC ±	ANGLES ±	WEIGHT	SCALE 4:1 SHEET 1 OF 1 REV A2	
MATERIAL NYLON, V0 NO DRIP	FINISH COLOR-NATURAL	Customer Drawing		