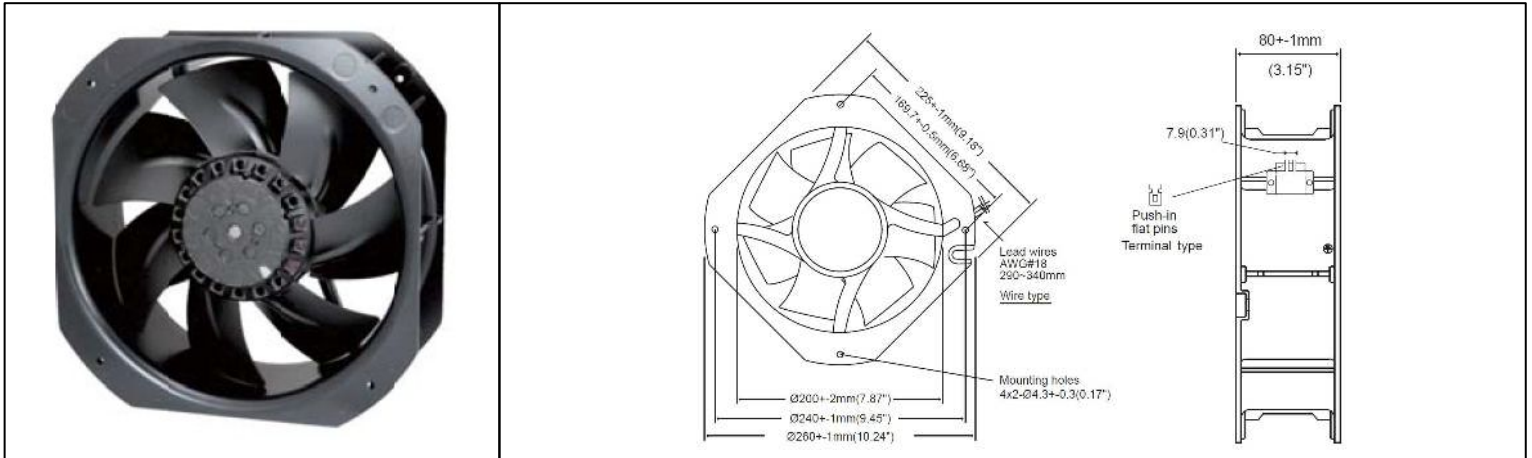


# OA225AP-IP68



AC Fan, 115, 230V  
225x240x80mm (8.9"x9.4"x3.1")



Frame	Die Cast Aluminum, Black	<b>Operating Temperature</b> -30°C ~ +80°C  <b>Storage Temperature</b> -40°C ~ +100°C  <b>Life Expectancy</b> 45,000 hours (L10 at 55°C)  Weight: 4.81 lbs  m0	
Impeller	Steel, All Metal, 7 blades		
Connection	Lead wires 18AWG or Terminal		
Motor	AC, Capacitor Induction, Outer Rotor, 1-Phase, Thermal Protected, IP68		
Bearing System	Dual Ball Bearings		
Dielectric Strength	1500VAC/min		
Insulation Resistance	Over 100MΩ at DC 500V		

Part Number	Rated Voltage	Input Power	Frequency	Rated Speed (RPM)	Airflow (CFM)	Noise Level (dB)	Max. Static Pressure
OA225AP-11-1*B1868	115 VAC	80 W	60 Hz	3100	620	66	0.74"H <sub>2</sub> O
OA225AP-22-1*B1868	230 VAC	80 W	60 Hz	3100	620	66	0.74"H <sub>2</sub> O

\*Insert T for Terminal or W for Lead Wires