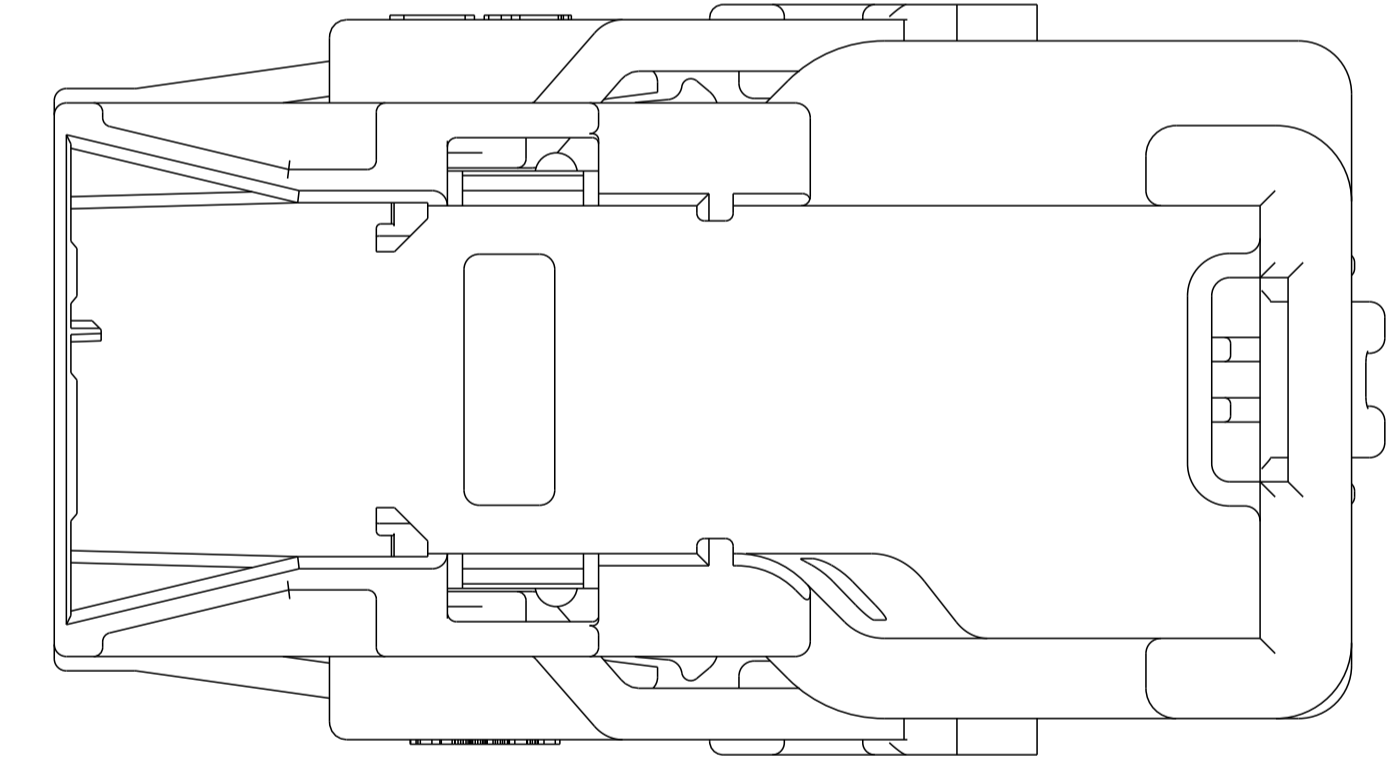
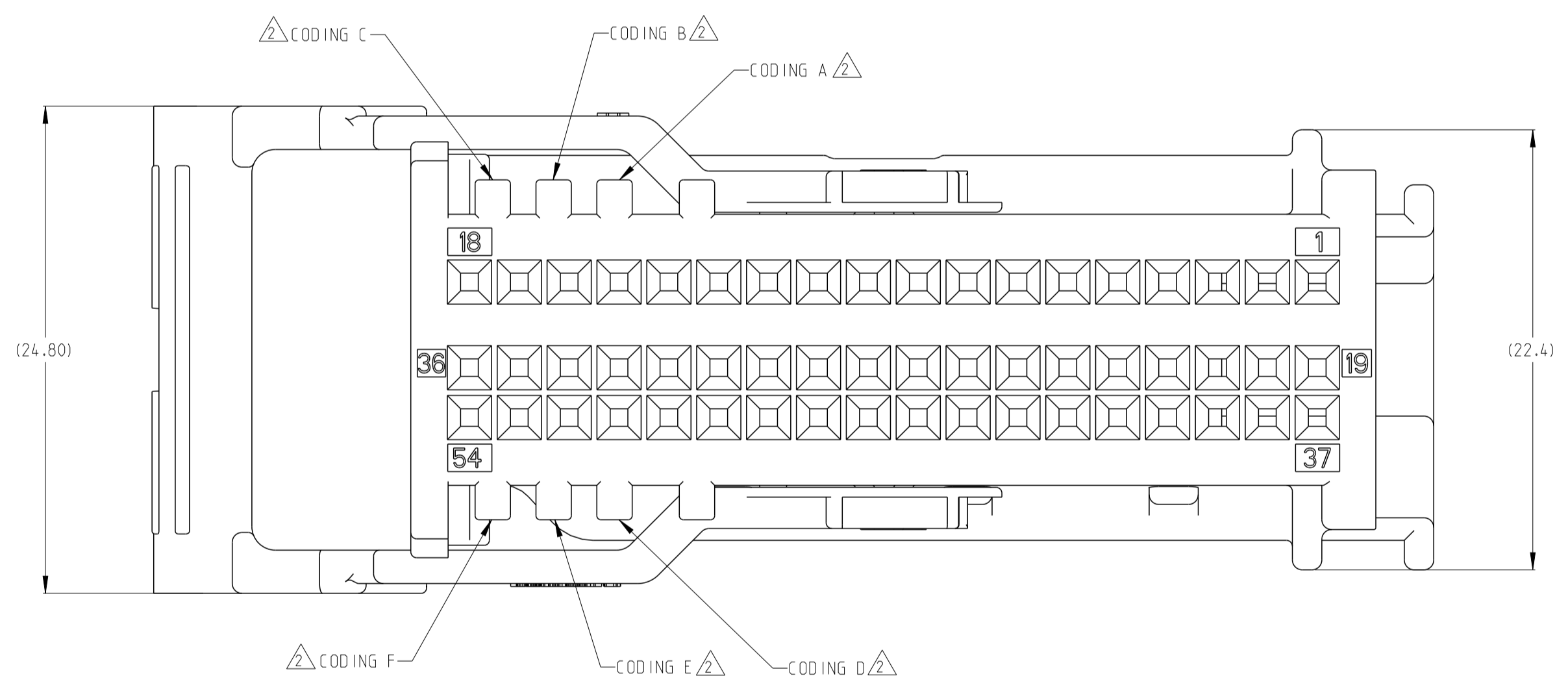
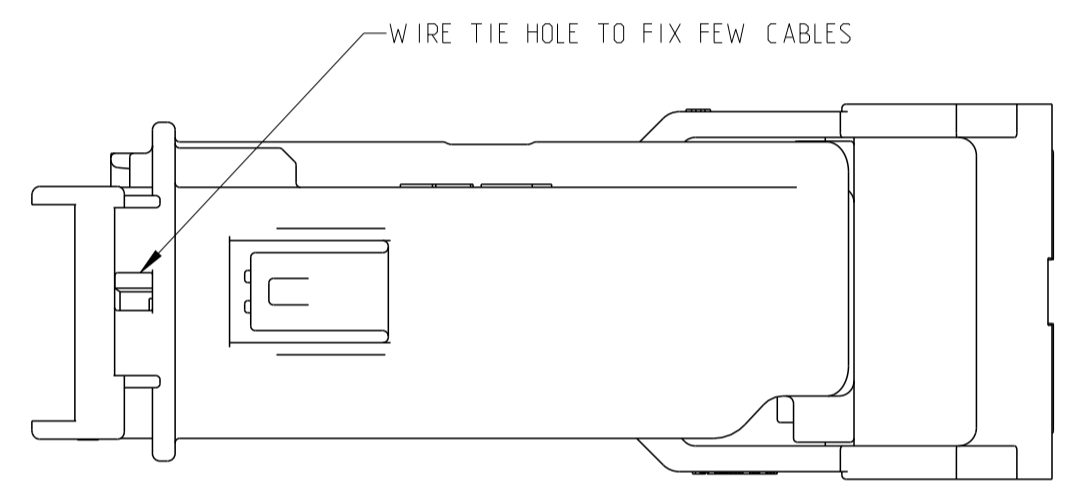
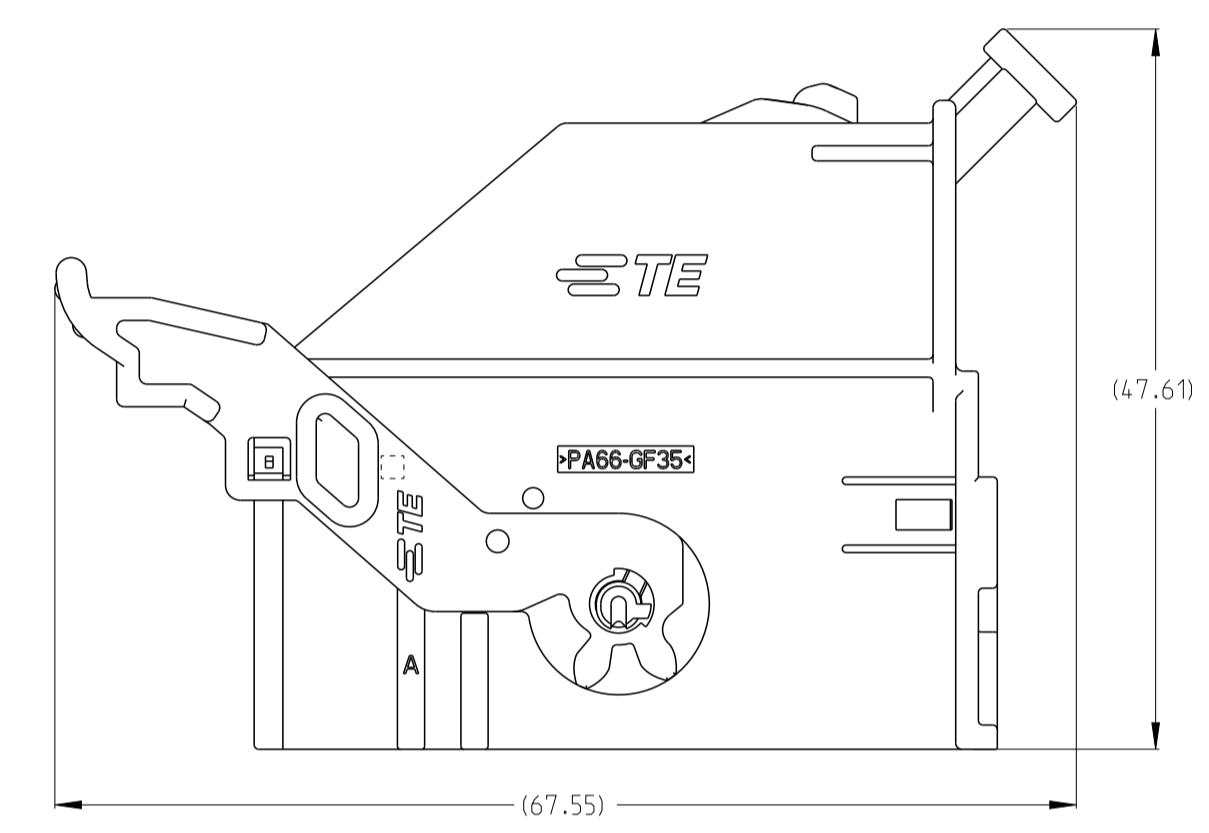
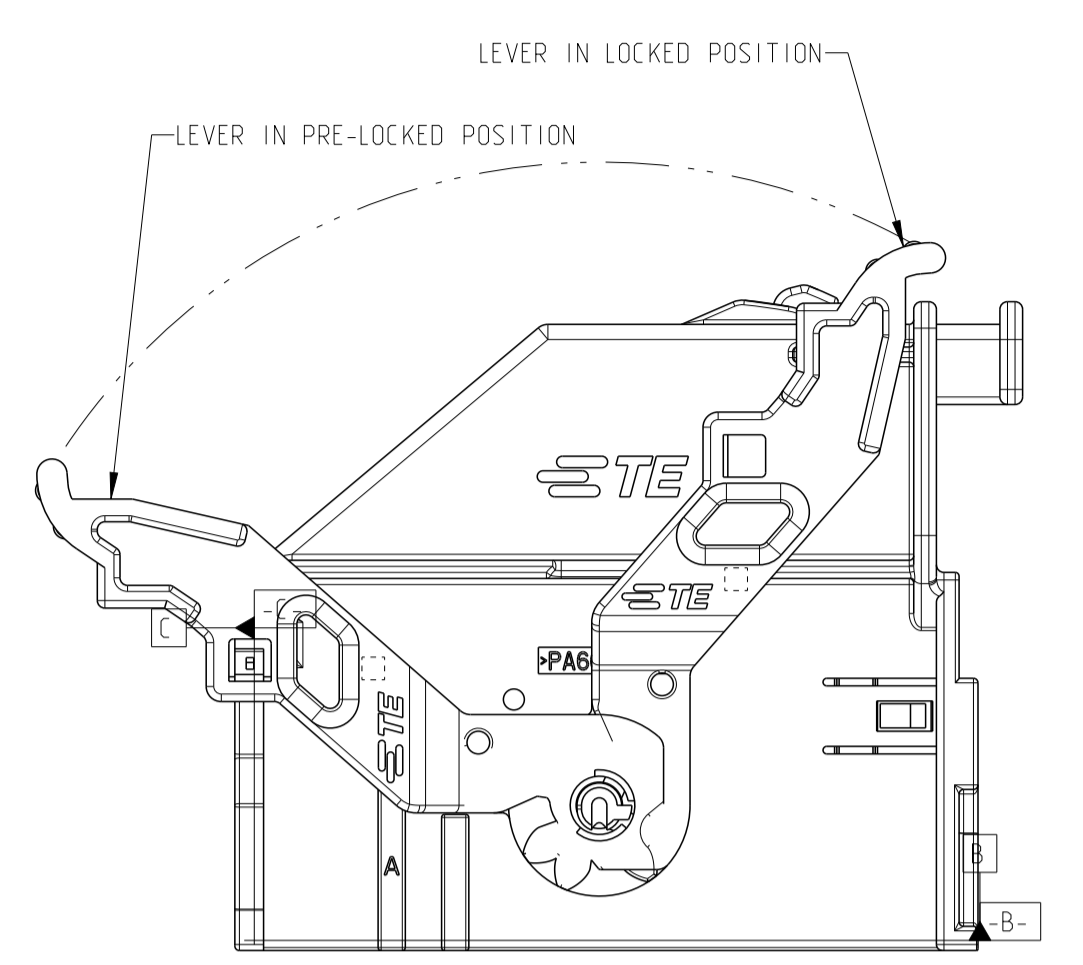
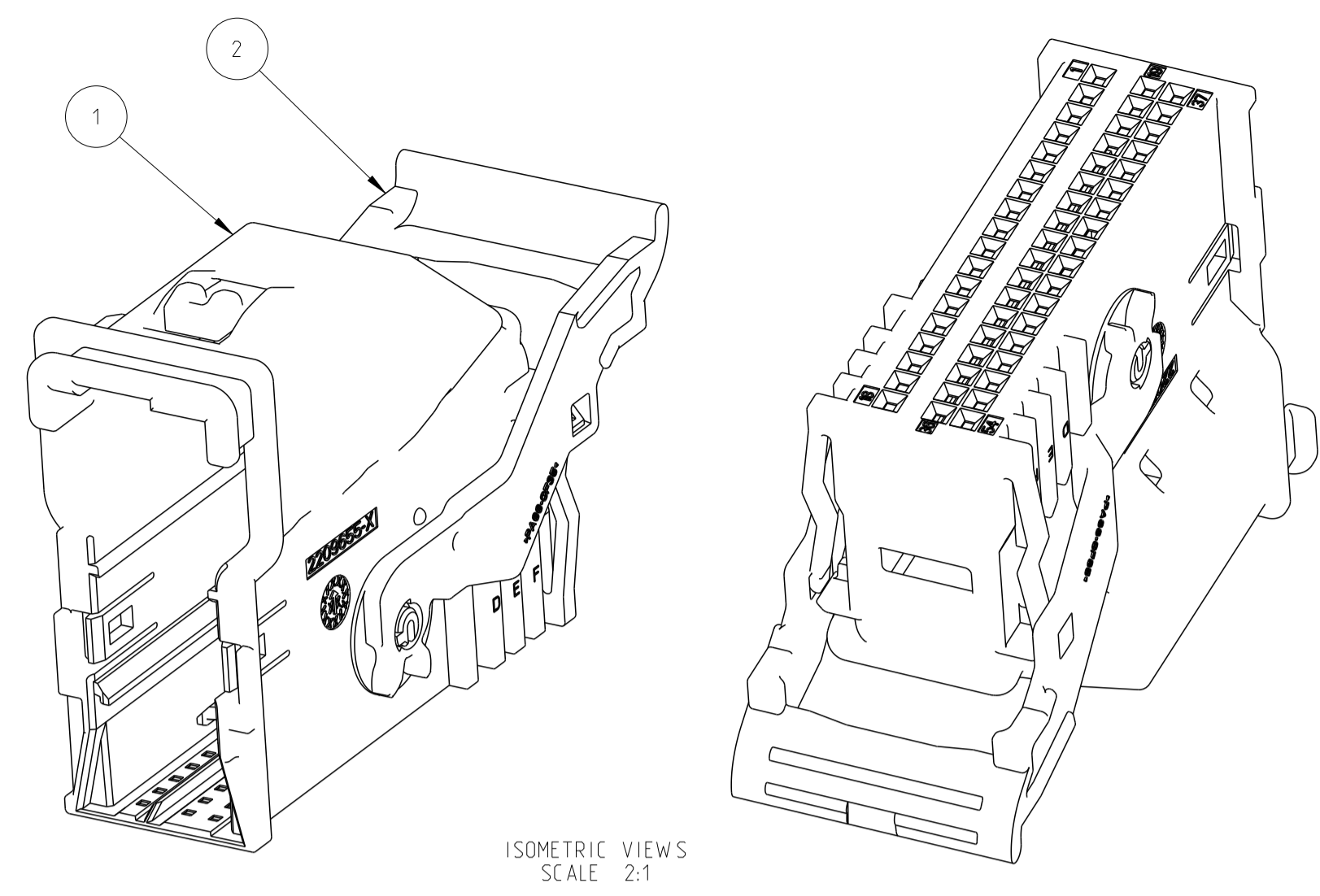
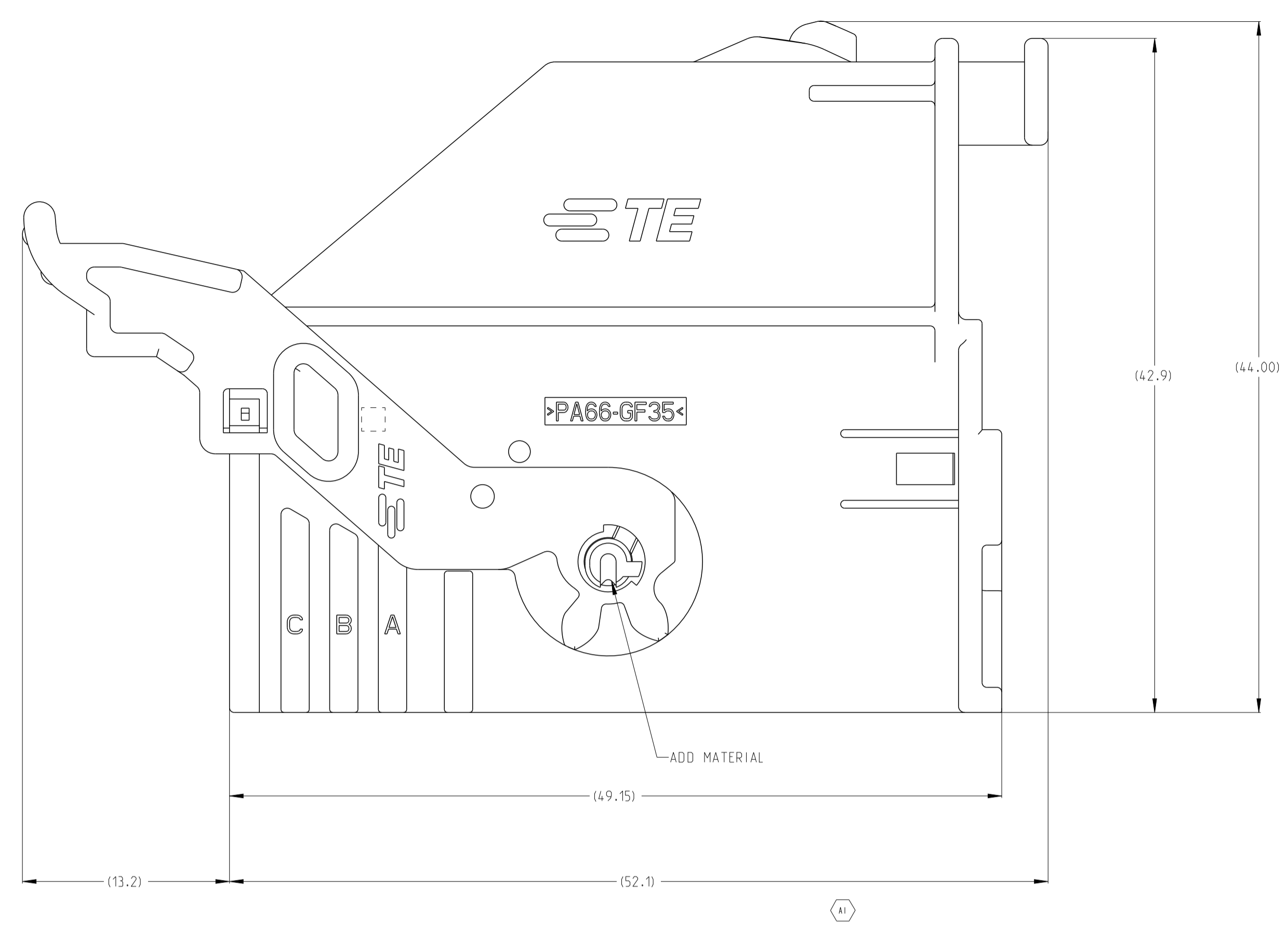


LOC		DIST		REVISIONS			
P	LTN	DESCRIPTION	DATE	DMN	APVD		
A		RELEASED	13MAR2013	C.C.	I.Y.		
A1		ADD 45° WIRE EXIT	12NOV2021	C.C.	J.Z.		
A2		ADD NEW PN ECR-23-179484	25JUN2023	C.C.	J.Z.		



A1 X-2209652-9
45° WIRE EXIT
SCALE 2:1

A2 1-2209652-X
ADD WIRE
TIE HOLE
SCALE 2:1

NOTES:
 1) WIRE COVER ASSEMBLY ACCEPTS CARRIER PART NUMBER 2098971-1 AND 2098972-1. CARRIER MUST BE ORDERED SEPARATELY AND BE ASSEMBLED TOGETHER BEFORE INSERTING INTO COVER.
 2) ALL CODINGS SHOWN FOR REFERENCE ONLY. SEE BELOW PART NUMBER TABLE FOR CODING.
 3) MAXIMUM WIRE LOADING: 54 TERMINALS CRIMPED TO 20 AWG WIRE WITH 1.6mm MAX OD INSULATION.
 4) REFER TO INSTRUCTION SHEET 408-8662 FOR PRODUCT ASSEMBLY AND DISASSEMBLY PROCEDURES.
 5) 2209652-1/-2 ARE AS LEFT VIEWS SHOWN. 2209652-9 IS 45° WIRE EXIT.
 6) VIEWS OF DIFFERENT PART NUMBER SEE LEFT PART NUMBER VIEWS TABLE.

PART NUMBER VIEWS
SCALE 1:1

2209652-1	2209652-9	1-2209652-1	1-2209652-9

QTY	DESCRIPTION	MATERIAL	COLOR	ITEM
1	LEVER	PA66-GF35	GRAY	2
1	COVER		YELLOW	1
1	LEVER	PA66-GF35	GRAY	2
1	COVER		YELLOW	1
1	LEVER	PA66-GF35	GRAY	2
1	COVER		YELLOW	1
1	LEVER	PA66-GF35	GRAY	2
1	COVER		YELLOW	1

THIS DRAWING IS A CONTROLLED DOCUMENT.

DMN: C. Chen	13MAR2013	TE Connectivity WIRE COVER ASSEMBLY 54 POSN. 0.64mm PLUG
CHK: A. Dang	13MAR2013	
APVD: J. Yin	13MAR2013	
NAME: J. Yin	13MAR2013	
DIMENSIONS: mm	TOLERANCES UNLESS OTHERWISE SPECIFIED:	PRODUCT SPEC
0 PLC	±	108-1014.34
1 PLC	±0.5	APPLICATION SPEC
2 PLC	±0.20	
3 PLC	±	
4 PLC	±	
ANGLES	±1°	
MATERIAL: SEE TABLE	FINISH: -	WEIGHT: -
CUSTOMER DRAWING		SCALE: 2:1

RESTRICTED TO: A1 00779 ©=2209652 SHEET 1 OF 1 REV A2