



Electrical Specifications

Cutoff Frequency (Fc): 125 MHz
Passband: 125-1000 MHz
Passband Insertion Loss: 0.5 dB Max
Return Loss: 15 dB Min
Rejection: 30 dB Min@0-100 MHz
Power Handling: 100 W

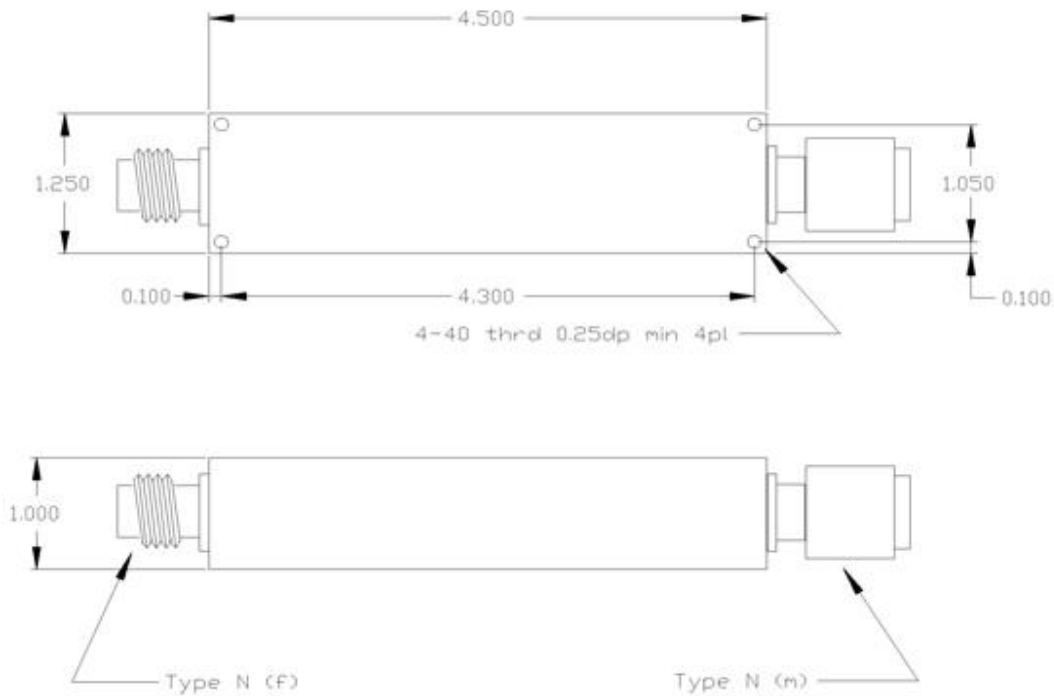
Mechanical

Connector Type: N (M / F)
Dimensions: 4.5 x 1.25 x 1 Inches

Environmental

Operating Temperature: -40 to +70° C
Storage Temperature: -50 to +90° C

Outline Drawing:



Dwg 988565