

# TAS2557 5.7-W Class-D mono audio amplifier with class-H boost and speaker sense

## 1 Features

- Ultra low-noise mono boosted class-D amplifier
  - 5.7 W at 1% THD+N and 6.9 W at 10% THD+N into 4- $\Omega$  load from 4.2-V supply
  - 3.8 W at 1% THD+N and 4.5 W at 10% THD+N into 8- $\Omega$  load from 4.2-V supply
- Output noise for DAC + class-D (ICN) is 15.9  $\mu$ V
- DAC + class-D SNR 111 dB at 1%THD+N/8  $\Omega$
- THD+N –90 dB at 1 W / 8  $\Omega$  with flat frequency response
- Post-filter feedback (PFFB)
- PSRR 110 dB for 200 mV<sub>pp</sub> ripple at 217 Hz
- Input sample rates from 8 kHz to 96 kHz
- Built-in speaker sense
  - Measures speaker current and voltage
  - Measures V<sub>BAT</sub> voltage, chip temperature
- Dedicated real-time dual-core DSP for speaker protection
  - Thermal and excursion protection
  - Detects speaker leaks and damage
- High efficiency class-H boost converter with multi-level tracking
  - 86% at 500 mW in 8  $\Omega$  with 3.6 V V<sub>BAT</sub>
  - 87% at 700 mW in 8  $\Omega$  with 4.2 V V<sub>BAT</sub>
- Configurable automatic gain control (AGC)
  - Limits battery current consumption
- Adjustable class-D switching edge-rate control
- Thermal, short-circuit, and under-voltage protection
- I<sup>2</sup>S, Left-justified, right-justified, DSP, and TDM input and output interface,
- I<sup>2</sup>C or SPI interface for register control
- Stereo configuration using two TAS2557 devices
- Power supplies
  - Boost input: 2.9 V to 5.5 V
  - Analog/digital: 1.65 V to 1.95 V
  - Digital I/O: 1.62 V to 3.6 V
- 42-ball, 0.5-mm pitch, DSBGA package

## 2 Applications

- Mobile phones and tablets
- Video doorbells and voice enabled thermostats
- Personal computers
- Bluetooth speakers and accessories

## 3 Description

The TAS2557 device is a state-of-the-art Class-D audio amplifier which is a full system on a Chip (SoC). The device features a ultra low-noise audio DAC and Class-D power amplifier which incorporates speaker voltage and current sensing feedback. An on-chip, low-latency DSP supports Texas Instruments SmartAmp speaker protection algorithms to maximizes loudness while maintaining safe speaker conditions.

The device can be used easily with any processor with an I2S output and stereo implementations are possible when using two TAS2557 devices. Separate tuning for different speakers is supported allowing customers to add value while maintaining form factor designs. Additionally, the TAS2557 supports separate voice and audio tuning dynamically with ultra-low 15.9  $\mu$ V ICN regardless of mode of operation making receiver/speaker implementations possible.

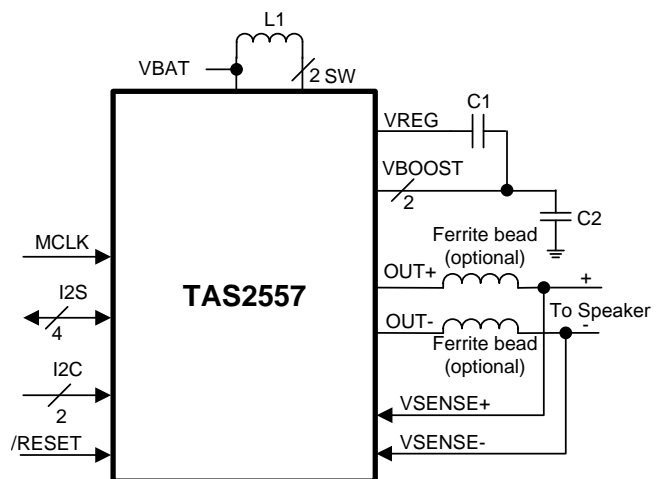
A Class-H boost converter generates the Class-D amplifier supply rail. When the audio signal only requires a lower Class-D output power, the boost improves system efficiency by deactivating and connecting V<sub>BAT</sub> directly to the Class-D amplifier supply. When higher audio output power is required, the multi-level boost quickly activates tracking the signal to provide the additional voltage to the load.

### Device Information<sup>(1)</sup>

PART NUMBER	PACKAGE	BODY SIZE (NOM)
TAS2557	DSBGA (42)	3.47 mm × 3.23 mm

(1) For all available packages, see the orderable addendum at the end of the data sheet.

### Simplified Schematic



## Table of Contents

<b>1 Features</b> .....	<b>1</b>	9.3 Feature Description .....	<b>18</b>
<b>2 Applications</b> .....	<b>1</b>	9.4 Device Functional Modes .....	<b>29</b>
<b>3 Description</b> .....	<b>1</b>	9.5 Programming .....	<b>36</b>
<b>4 Revision History</b> .....	<b>2</b>	9.6 Register Map .....	<b>39</b>
<b>5 Device Comparison Table</b> .....	<b>3</b>	<b>10 Application and Implementation</b> .....	<b>96</b>
<b>6 Pin Configuration and Functions</b> .....	<b>4</b>	10.1 Application Information .....	<b>96</b>
<b>7 Specifications</b> .....	<b>6</b>	10.2 Typical Application .....	<b>96</b>
7.1 Absolute Maximum Ratings .....	<b>6</b>	10.3 Initialization Setup .....	<b>98</b>
7.2 ESD Ratings .....	<b>6</b>	<b>11 Power Supply Recommendations</b> .....	<b>99</b>
7.3 Recommended Operating Conditions .....	<b>6</b>	11.1 Power Supplies .....	<b>99</b>
7.4 Thermal Information .....	<b>6</b>	11.2 Power Supply Sequencing .....	<b>99</b>
7.5 Electrical Characteristics .....	<b>7</b>	<b>12 Layout</b> .....	<b>100</b>
7.6 I <sup>2</sup> C Timing Requirements .....	<b>9</b>	12.1 Layout Guidelines .....	<b>100</b>
7.7 SPI Timing Requirements .....	<b>9</b>	12.2 Layout Example .....	<b>101</b>
7.8 I <sup>2</sup> S/LJF/RJF Timing Requirements (Master Mode) ..	<b>10</b>	<b>13 Device and Documentation Support</b> .....	<b>102</b>
7.9 I <sup>2</sup> S/LJF/RJF Timing Requirements (Slave Mode) ..	<b>10</b>	13.1 Documentation Support .....	<b>102</b>
7.10 DSP Timing Requirements (Master Mode) .....	<b>11</b>	13.2 Community Resources .....	<b>102</b>
7.11 DSP Timing Requirements (Slave Mode) .....	<b>11</b>	13.3 Trademarks .....	<b>102</b>
7.12 Typical Characteristics .....	<b>14</b>	13.4 Electrostatic Discharge Caution .....	<b>102</b>
<b>8 Parameter Measurement Information</b> .....	<b>16</b>	13.5 Glossary .....	<b>102</b>
<b>9 Detailed Description</b> .....	<b>17</b>	<b>14 Mechanical, Packaging, and Orderable Information</b> .....	<b>102</b>
9.1 Overview .....	<b>17</b>	14.1 Package Dimensions .....	<b>102</b>
9.2 Functional Block Diagram .....	<b>18</b>		

## 4 Revision History

NOTE: Page numbers for previous revisions may differ from page numbers in the current version.

### Changes from Revision A (February 2017) to Revision B Page

- Added Boost, Switching, Regulator voltage and Note 2 to the *Absolute Maximum Ratings* table ..... **6**
- Changed C2 Capacitance at 8.5 V derating MIN value From: 7  $\mu$ F To: 3.3  $\mu$ F in [Table 128](#) ..... **97**

### Changes from Original (November 2016) to Revision A Page

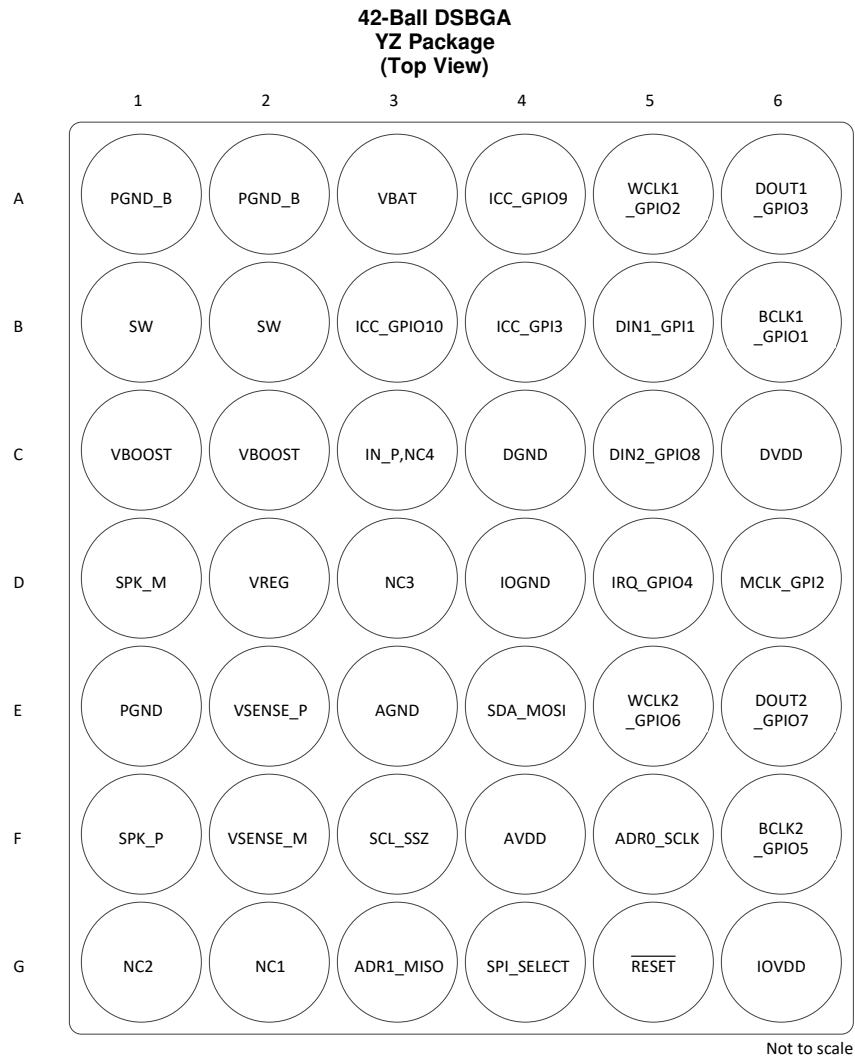
- Changed ESD HBM rating from  $\pm 2500$  to  $\pm 3500$  ..... **6**
- Changed Power Consumption values ..... **8**
- Fixed incorrect part number ..... **30**

## 5 Device Comparison Table

PART NUMBER	CONTROL METHOD	BOOST VOLTAGE	SNR <sup>(1)</sup>	ICN	THD+N	BOOST CONTROL	SMART AMP DIGITAL ENGINE
TAS2552	I <sup>2</sup> C	8.5 V	94 dB	130 μV	-64 dB	Class-G	NO (External Processing Required)
TAS2553	I <sup>2</sup> C	7.5 V	94 dB	130 μV	-64 dB	Class-G	NO (External Processing Required)
TAS2555	I <sup>2</sup> C or SPI	8.5 V	111 dB	15.9 μV	-90 dB	Class-H	YES (Processing on Chip)
TAS2557	I <sup>2</sup> C or SPI	8.5 V	111 dB	15.9 μV	-90 dB	Class-H	YES (Processing on Chip)
TAS2559	I <sup>2</sup> C or SPI	8.5 V	111 dB	15.9 μV	-90 dB	Class-H	YES (Processing on Chip)
TAS2560	I <sup>2</sup> C	8.5 V	111 dB	16.2 μV	-88 dB	Class-H	NO (External Processing Required)

(1) A-weighted data.

## 6 Pin Configuration and Functions



### Pin Functions

PIN		TYPE	DESCRIPTION
BALL NO.	NAME		
A1,A2	PGND_B	P	Power ground - connect to high current ground plane.
A3	VBAT	P	Battery power supply - connect to 2.9 V to 5.5 V battery supply.
A4	ICC_GPIO9	I/O	Stereo inter-chip communication clock or GPIO pin.
A5	WCLK1_GPIO2	I/O	Audio word clock on ASI#1 or GPIO pin.
A6	DOUT1_GPIO3	I/O	Audio data output on ASI#1 or GPIO pin.
B1,B2	SW	P	Boost converter switch input .
B3	ICC_GPIO10	I/O	Stereo inter-chip communication data output or GPIO pin.
B4	ICC_GPI3	I	Stereo inter-chip communication data input or GPI pin.
B5	DIN1_GPI1	I	Audio data input to ASI #1 or GPI pin.
B6	BCLK1_GPIO1	I/O	Audio bit clock on ASI#1 or GPIO pin.
C1,C2	VBOOST	P	Boost converter output.
C3	NC4	-	Float connection - do not route any signal or supply to or through this pin.
C4	DGND	P	Digital ground pin.
C5	DIN2_GPIO8	I/O	Audio data input to ASI #2 or GPIO pin.
C6	DVDD	P	1.8V digital power supply for digital core logic.

**Pin Functions (continued)**

PIN		TYPE	DESCRIPTION
BALL NO.	NAME		
D1	SPK_M	O	Inverting Class-D output.
D2	VREG	P	Regulator output.
D3	NC3	-	Float connection - do not route any signal or supply to or through this pin.
D4	IOGND	P	Digital interface ground pin.
D5	IRQ_GPIO4	I/O	Active-high interrupt pin or GPIO pin
D6	MCLK_GPIO2	I	Master clock input or GPI pin.
E1	PGND	P	Power ground - connect to high current ground plane.
E2	VSENSE_P	I	Non-inverting voltage sense input.
E3	AGND	P	Analog ground - connect to low noise ground plane.
E4	SDA_MOSI	I/O	Multi-function digital pin for (SPI_SELECT= 0) : Data Pin for I <sup>2</sup> C control bus. For (SPI_SELECT= 1): SPI data input.
E5	WCLK2_GPIO6	I/O	Audio word-clock on ASI#2 or GPIO pin.
E6	DOUT2_GPIO7	I/O	Audio data output on ASI#2 or GPIO pin.
F1	SPK_P	O	Non-inverting Class-D output.
F2	VSENSE_M	I	Inverting voltage sense input.
F3	SCL_SSZ	I	Multi-function digital input. For (SPI_SELECT= 0) : Clock Pin for I <sup>2</sup> C Control bus. For (SPI_SELECT= 1): SPI chip selection pin.
F4	AVDD	P	1.8V analog power supply.
F5	ADR0_SCLK	I	Multi-function digital pin. For (SPI_SELECT= 0) : Device I <sup>2</sup> C programming address LSB. For (SPI_SELECT= 1): SPI serial bit clock.
F6	BCLK2_GPIO5	I/O	Audio bit clock on ASI#2 or GPIO pin.
G1	NC2	-	Float connection - do not route any signal or supply to or through this pin.
G2	NC1	-	Float connection - do not route any signal or supply to or through this pin.
G3	ADR1_MISO	I/O	Multi-function digital input / output. For (SPI_SELECT= 0) : Device I <sup>2</sup> C programming address MSB. For (SPI_SELECT= 1): SPI data output
G4	SPI_SELECT	I	Control interface select. 0: I <sup>2</sup> C selected. 1: SPI selected.
G5	$\overline{\text{RESET}}$	I	Active-low reset.
G6	IOVDD	P	1.8V or 3.3V digital interface power supply for digital input and output levels.

## 7 Specifications

### 7.1 Absolute Maximum Ratings

Over operating free-air temperature range,  $T_A = 25^\circ\text{C}$  (unless otherwise noted)<sup>(1)</sup>

		MIN	MAX	UNIT
Battery Voltage	VBAT	-0.3	6	V
Analog Supply Voltage	AVDD	-0.3	2	V
Digital Supply Voltage	DVDD	-0.3	2	V
I/O Supply Voltage	IOVDD	-0.3	3.9	V
Boost	VBST	-0.3	9.2	V
Switching	SW	-0.7	VBST + 1.5 <sup>(2)</sup>	V
Regulator voltage	VREG	-0.3	VBST + 5	V
Digital Input Voltage		-0.3	IOVDD + 0.3	V
Output Continuous Total Power Dissipation		See <a href="#">Thermal Information</a>		NA
Storage Temperature, $T_{stg}$		-65	150	$^\circ\text{C}$

- (1) Stresses beyond those listed under “Absolute Maximum Ratings” may cause permanent damage to the device. These are stress ratings only, and functional operation of the device at these or any other conditions beyond those indicated under [Recommended Operating Procedures](#) is not implied. Exposure to absolute–maximum–rated conditions for extended periods may affect device reliability.
- (2) Cannot exceed 11 V for greater than 10 nS or 10 V continuously.

### 7.2 ESD Ratings

		VALUE	UNIT
$V_{(ESD)}$ Electrostatic Discharge	Human-body model (HBM), per ANSI/ESDA/JEDEC JS-001 <sup>(1)</sup>	$\pm 3500$	V
	Charged-device model (CDM), per JEDEC specification JESD22-C101 <sup>(2)</sup>	$\pm 1500$	

- (1) JEDEC document JEP155 states that 500-V HBM allows safe manufacturing with a standard ESD control process.
- (2) JEDEC document JEP157 states that 250-V CDM allows safe manufacturing with a standard ESD control process.

### 7.3 Recommended Operating Conditions

Over operating free-air temperature range (unless otherwise noted)

		MIN	NOM	MAX	UNIT
Battery Voltage	VBAT	2.9 <sup>(1)</sup>	3.6	5.5	V
Analog Supply Voltage	AVDD	1.65	1.8	1.95	V
Digital Supply Voltage	DVDD	1.65	1.8	1.95	V
I/O Supply Voltage 1.8V	IOVDD	1.62	1.8	1.98	V
I/O Supply Voltage 3.3V	IOVDD	3.0	3.3	3.6	V
$T_A$ Operating Free-Air Temperature		-40		85	$^\circ\text{C}$
$T_J$ Operating Junction Temperature		-40		150	$^\circ\text{C}$

- (1) Device is functional down to 2.7V. See [Battery Tracking AGC](#)

### 7.4 Thermal Information

THERMAL METRIC <sup>(1)</sup>		TAS2557	UNIT
		YZ (DSBGA)	
		42 PINS	
$R_{\theta JA}$	Junction to Ambient Thermal Resistance	49.8	$^\circ\text{C}/\text{W}$
$R_{\theta JC(top)}$	Junction to Case (top) Thermal Resistance	0.2	
$R_{\theta JB}$	Junction to Board Thermal Resistance	7.1	
$\Psi_{JT}$	Junction to Top Characterization Parameter	0.8	
$\Psi_{JB}$	Junction to Board Characterization Parameter	7.1	
$R_{\theta JC(bot)}$	Junction to Case (bottom) Thermal Resistance	n/a	

- (1) For more information about traditional and new thermal metrics, see the *IC Package Thermal Metrics* application report, [SPRA953](#).

## 7.5 Electrical Characteristics

$V_{BAT} = 3.6V$ ,  $AVDD = DVDD = IOVDD = 1.8V$ ,  $\overline{RESET} = IOVDD$ , Gain = 16.4 dB, ERC = 14ns, Boost Inductor = 2.2  $\mu H$ ,  $R_L = 8\ \Omega + 33\ \mu H$ , 1-kHz input frequency, 48- kHz sample rate for digital input, Class-H Boost Enabled,  $T_A = 25^\circ C$ , ILIM = 3 A (unless otherwise noted)

PARAMETER	TEST CONDITIONS	MIN	TYP	MAX	UNIT
<b>BOOST CONVERTER</b>					
Boost Output Voltage	Average voltage (w/o including ripple)		8.5		V
Boost Converter Switching Frequency			1.77		MHz
Boost Converter Current Limit			3		A
Boost Converter Max In-Rush Current	High Efficiency Mode: Max inductor inrush and startup current after enable		4		A
	Normal Efficiency Mode: Max inductor inrush and startup current after enable		1.5		
<b>CLASS-D CHANNEL</b>					
Output Voltage for Full-Scale Digital Input			6.6		$V_{RMS}$
Load Resistance (Load Spec Resistance)		3.6	8		$\Omega$
Class-D Frequency	Avg Frequency in Spread-Spectrum Mode		384		kHz
	Fixed Frequency	44.1 × 8	48 × 8		
Class-D + Boost Efficiency	$P_{OUT} = 3.5\ W$ (sinewave) ROM Mode 1		80		%
	$P_{OUT} = 0.5\ W$ (sinewave) ROM Mode 1		87		
Class-D Output Current Limit (Short Circuit Protection)	VBOOST = 8.5 V, OUT– shorted to VBAT, VBOOST, GND		6		A
Class-D Output Offset Voltage in Digital Input Mode		-2.5		2.5	mV
Programmable Channel Gain Accuracy			±0.5		dB
Mute Attenuation	Device in shutdown or device in normal operation and muted		150		dB
VBAT Power Supply Rejection Ratio (PSRR)	Ripple of 200 mVpp at 217 Hz		110		dB
AVDD Power Supply Rejection Ratio (PSRR)	Ripple of 200 mVpp at 217 Hz		99		dB
THD+N	1 kHz, $P_{OUT} = 0.1W$		0.0041		%
	1 kHz, $P_o = 0.5W$		0.0036		
	1 kHz, $P_o = 1\ W$		0.0035		
	1 kHz, $P_o = 3\ W$		0.02		
Output Integrated Noise (20Hz-20kHz) - 8 $\Omega$	A-weighted filter, DAC modulator switching		15.9		$\mu V$
Signal-to-Noise Ratio	Referenced to 1% THD+N at output, A-weighted		110.6		dB
Max Output Power, 3-A Current Limit	THD+N=1%, 8- $\Omega$ Load		3.7		W
	THD+N=1%, 6- $\Omega$ Load		4.5		
	THD+N=1%, 4- $\Omega$ Load		5		
Startup Pop	Digital Input, A-weighted output		10		mV
Output Impedance in Shutdown	/RESET = 0 V		10		k $\Omega$
Startup Time	Time taken from end of configuring device in ROM mode1/2 to speaker output signal in SPI mode running at 25 MHz with 48 ksps input		8		mS
Shutdown Time	Measured from time when device is programmed in software shutdown mode		100		$\mu S$

**Electrical Characteristics (continued)**

$V_{BAT} = 3.6V$ ,  $AVDD = DVDD = IOVDD = 1.8V$ ,  $\overline{RESET} = IOVDD$ , Gain = 16.4 dB, ERC = 14ns, Boost Inductor = 2.2  $\mu H$ ,  $R_L = 8\ \Omega + 33\ \mu H$ , 1-kHz input frequency, 48- kHz sample rate for digital input, Class-H Boost Enabled,  $T_A = 25^\circ C$ , ILIM = 3 A (unless otherwise noted)

PARAMETER		TEST CONDITIONS	MIN	TYP	MAX	UNIT
<b>CURRENT SENSE</b>						
Current Sense Full Scale	Peak current which will give full scale digital output 8- $\Omega$ load		1.25		A <sub>PEAK</sub>	
	Peak current which will give full scale digital output 6- $\Omega$ load		1.48			
	Peak current which will give full scale digital output 4- $\Omega$ load		1.76			
Current Sense Accuracy	I <sub>OUT</sub> = 354 mA <sub>RMS</sub> (1 W)		1		%	
<b>VOLTAGE SENSE</b>						
Voltage Sense Full Scale	Peak voltage which will give full scale digital output		9.353		V <sub>PEAK</sub>	
Voltage Sense Accuracy	V <sub>OUT</sub> = 2.83 V <sub>rms</sub> (1 W)		1		%	
<b>INTERFACE</b>						
Voltage and Current Sense Data Rate		TDM/1 <sup>2</sup> S	48		kHz	
Voltage and Current Sense ADC OSR		TDM/1 <sup>2</sup> S	64		OSR	
F <sub>MCLK</sub>	MCLK frequency		0.512	49.15		MHz
<b>POWER CONSUMPTION</b>						
Power Consumption with Digital Input and Speaker Protection Disabled (ROM MODE 1)	From VBAT, PLL on, no signal		3		mA	
	From AVDD, PLL on, no signal		3		mA	
	From DVDD, PLL on, no signal		7.2		mA	
Power Consumption with Digital Input and Speaker Protection Enabled	From VBAT, PLL on, no signal		4		mA	
	From AVDD, PLL on, no signal		5.1		mA	
	From DVDD, PLL on, no signal		22		mA	
Power Consumption in Hardware Shutdown	From VBAT, /RESET = 0		0.1		$\mu A$	
	From AVDD, /RESET = 0		0.2		$\mu A$	
	From DVDD, /RESET = 0		2		$\mu A$	
Power Consumption in Software Shutdown See <a href="#">Low Power Sleep</a>	From VBAT		0.1		$\mu A$	
	From AVDD		0.1		$\mu A$	
	From DVDD		9.7		$\mu A$	
<b>DIGITAL INPUT / OUTPUT</b>						
V <sub>IH</sub>	High-Level Digital Input Voltage	All digital pins except SDA and SCL, IOVDD = 1.8-V operation	0.65 × IOVDD		V	
V <sub>IL</sub>	Low-Level Digital input Voltage		0.35 × IOVDD		V	
V <sub>IH</sub>	High-Level Digital Input Voltage	All digital pins except SDA and SCL, IOVDD = 3.3-V operation	2		V	
V <sub>IL</sub>	Low-Level Digital Input Voltage		0.45		V	
V <sub>OH</sub>	High-Level Digital Output Voltage	All digital pins except SDA and SCL, IOVDD = 1.8-V operation For I <sub>OL</sub> = 2 mA and I <sub>OH</sub> = -2 mA	IOVDD – 0.45		V	
V <sub>OL</sub>	Low-Level Digital Output Voltage		0.45		V	
V <sub>OH</sub>	High-Level Digital Output Voltage	All digital pins except SDA and SCL, IOVDD = 3.3-V operation For I <sub>OL</sub> = 2 mA and I <sub>OH</sub> = -2 mA	2.4		V	
V <sub>OL</sub>	Low-Level Digital Output Voltage		0.4		V	
I <sub>IH</sub>	High-Level Digital Input Leakage Current	Input = IOVDD	-5	0.1	5	$\mu A$
I <sub>IL</sub>	Low-Level Digital Input Leakage Current	Input = Ground	-5	0.1	5	$\mu A$
<b>MISCELLANEOUS</b>						
T <sub>TRIP</sub>	Thermal Trip Point		140		$^\circ C$	



## 7.6 I<sup>2</sup>C Timing Requirements

For I<sup>2</sup>C interface signals over recommended operating conditions (unless otherwise noted). See [Figure 1](#)<sup>(1)</sup>

PARAMETER		STANDARD-MODE		FAST-MODE		UNIT
		MIN	MAX	MIN	MAX	
f <sub>SCL</sub>	SCL Clock Frequency	0	100	0	400	kHz
t <sub>HD;STA</sub>	Hold Time (repeated) START Condition. After this period, the first clock pulse is generated.	4		0.6		μs
t <sub>LOW</sub>	LOW Period of the SCL Clock	4.7		1.3		μs
t <sub>HIGH</sub>	HIGH Period of the SCL Clock	4		0.6		μs
t <sub>SU;STA</sub>	Setup Time for a Repeated START Condition	4.7		0.6		μs
t <sub>HD;DAT</sub>	Data Hold Time: For I <sup>2</sup> C Bus Devices	0	3.45	0	0.9	μs
t <sub>SU;DAT</sub>	Data Setup Time	250		100		ns
t <sub>r</sub>	SDA and SCL Rise Time		1000	20 + 0.1 × Cb	300	ns
t <sub>f</sub>	SDA and SCL Fall Time		300	20 + 0.1 × Cb	300	ns
t <sub>SU;STO</sub>	Setup Time for STOP Condition	4		0.6		μs
t <sub>BUF</sub>	Bus Free Time Between a STOP and START Condition	4.7		1.3		μs
C <sub>b</sub>	Capacitive Load for Each Bus Line		400		400	pF

(1) All timing specifications are measured at characterization but not tested at final test.

## 7.7 SPI Timing Requirements

For SPI interface signals over recommended operating conditions (unless otherwise noted). See [Figure 2](#)<sup>(1)</sup>

PARAMETER		IOVDD = 1.8 V		IOVDD = 3.3 V		UNIT
		MIN	MAX	MIN	MAX	
t <sub>sck</sub>	SCLK Period	40		30		ns
t <sub>sckh</sub>	SCLK Pulse Width High	40		30		ns
t <sub>sckl</sub>	SCLK Pulse Width Low	40		30		ns
t <sub>lead</sub>	Enable Lead Time	40		30		ns
t <sub>trail</sub>	Enable Trail Time	40		30		ns
t <sub>d;seqxfr</sub>	Sequential Transfer Delay	40		30		ns
t <sub>a</sub>	Slave DOUT Access Time		35		25	ns
t <sub>dis</sub>	Slave DOUT Disable Time		35		25	ns
t <sub>su</sub>	DIN Data Setup Time	8		8		ns
t <sub>h;DIN</sub>	DIN Data Hold Time	8		8		ns
t <sub>v;DOUT</sub>	DOUT Data Valid Time		35		25	ns
t <sub>r</sub>	SCLK Rise Time		4		4	ns
t <sub>f</sub>	SCLK Fall Time		4		4	ns

(1) All timing specifications are measured at characterization but not tested at final test.

## 7.8 I<sup>2</sup>S/LJF/RJF Timing Requirements (Master Mode)

All specifications at  $T_A = -40^{\circ}\text{C}$  to  $85^{\circ}\text{C}$ , IOVDD data sheet limits,  $V_{IL}$  and  $V_{IH}$  applied,  $V_{OL}$  and  $V_{OH}$  measured at datasheet limits, lumped capacitive load of 20 pF on output pins unless otherwise noted. See [Figure 3](#)<sup>(1)</sup>

PARAMETER			IOVDD = 1.8 V		IOVDD = 3.3 V		UNIT
			MIN	MAX	MIN	MAX	
$t_d(\text{WS})$	BCLK to WCLK delay	50% of BCLK to 50% of WCLK		35		25	ns
$t_d(\text{DO-WS})$	WCLK to DOUT Delay (For LJF Mode Only)	50% of WCLK to 50% of DOUT		35		25	ns
$t_d(\text{DO-BCLK})$	BCLK to DOUT Delay	50% of BCLK to 50% of DOUT		35		25	ns
$t_s(\text{DI})$	DIN Setup		8		8		ns
$t_h(\text{DI})$	DIN Hold		8		8		ns
$t_r$	Rise Time	10%-90% Rise Time		8		4	ns
$t_f$	Fall Time	90%-10% Fall Time		8		4	ns

(1) All timing specifications are measured at characterization but not tested at final test.

## 7.9 I<sup>2</sup>S/LJF/RJF Timing Requirements (Slave Mode)

All specifications at  $T_A = -40^{\circ}\text{C}$  to  $85^{\circ}\text{C}$ , IOVDD data sheet limits,  $V_{IL}$  and  $V_{IH}$  applied,  $V_{OL}$  and  $V_{OH}$  measured at datasheet limits, lumped capacitive load of 20 pF on output pins unless otherwise noted. See [Figure 4](#)<sup>(1)</sup>

PARAMETER			IOVDD = 1.8 V		IOVDD = 3.3 V		UNIT
			MIN	MAX	MIN	MAX	
$t_H(\text{BCLK})$	BCLK High Period		40		30		ns
$t_L(\text{BCLK})$	BCLK Low Period		40		30		ns
$t_s(\text{WS})$	(WS)		8		8		ns
$t_h(\text{WS})$	WCLK Hold		8		8		ns
$t_d(\text{DO-WS})$	WCLK to DOUT Delay (For LJF Mode Only)	50% of WCLK to 50% of DOUT		35		25	ns
$t_d(\text{DO-BCLK})$	BCLK to DOUT Delay	50% of BCLK to 50% of DOUT		35		25	ns
$t_s(\text{DI})$	DIN Setup		8		8		ns
$t_h(\text{DI})$	DIN Hold		8		8		ns
$t_r$	Rise Time	10%-90% Rise Time		8		4	ns
$t_f$	Fall Time	90%-10% Fall Time		8		4	ns

(1) All timing specifications are measured at characterization but not tested at final test.

### 7.10 DSP Timing Requirements (Master Mode)

All specifications at  $T_A = -40^{\circ}\text{C}$  to  $85^{\circ}\text{C}$ , IOVDD data sheet limits,  $V_{IL}$  and  $V_{IH}$  applied,  $V_{OL}$  and  $V_{OH}$  measured at datasheet limits, lumped capacitive load of 20 pF on output pins unless otherwise noted. See Figure 5<sup>(1)</sup>

PARAMETER			IOVDD = 1.8 V		IOVDD = 3.3 V		UNIT
			MIN	MAX	MIN	MAX	
$t_d(\text{WS})$	BCLK to WCLK delay		35		25	ns	
$t_d(\text{DO-BCLK})$	BCLK to DOUT delay		35		25	ns	
$t_s(\text{DI})$	DIN Setup		8		8	ns	
$t_h(\text{DI})$	DIN Hold		8		8	ns	
$t_r$	Rise Time	10%-90% Rise Time		8		4 ns	
$t_f$	Fall Time	90%-10% Fall Time		8		4 ns	

(1) All timing specifications are measured at characterization but not tested at final test.

### 7.11 DSP Timing Requirements (Slave Mode)

All specifications at  $25^{\circ}\text{C}$ , IOVDD = 1.8 V. See Figure 6<sup>(1)</sup>

PARAMETER			IOVDD=1.8V		IOVDD=3.3V		UNIT
			MIN	MAX	MIN	MAX	
$t_H(\text{BCLK})$	BCLK High Period		40		30	ns	
$t_L(\text{BCLK})$	BCLK Low Period		40		30	ns	
$t_s(\text{WS})$	WCLK setup		8		8	ns	
$t_h(\text{WS})$	WCLK Hold		8		8	ns	
$t_d(\text{DO-BCLK})$	BCLK to DOUT Delay (For LJJ Mode Only)	50% BCLK to 50% DOUT		35		25 ns	
$t_s(\text{DI})$	DIN Setup		8		8	ns	
$t_h(\text{DI})$	DIN Hold		8		8	ns	
$t_r$	Rise Time	10%-90% Rise Time		8		4 ns	
$t_f$	Fall Time	90%-10% Fall Time		8		4 ns	

(1) All timing specifications are measured at characterization but not tested at final test.

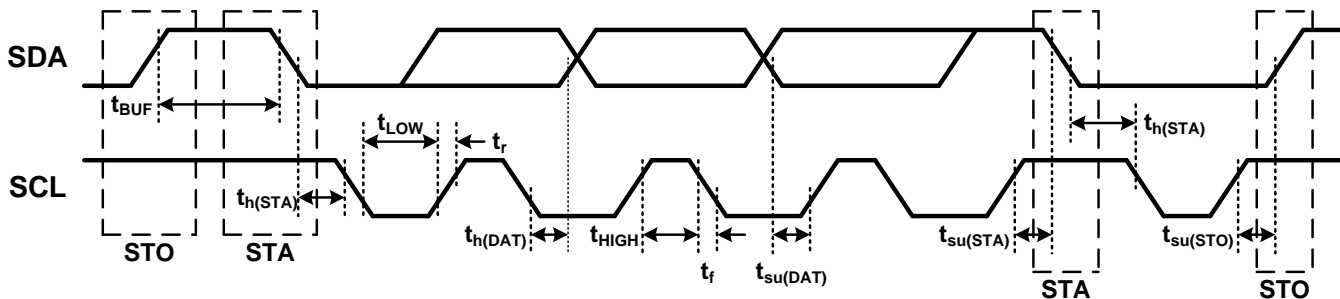
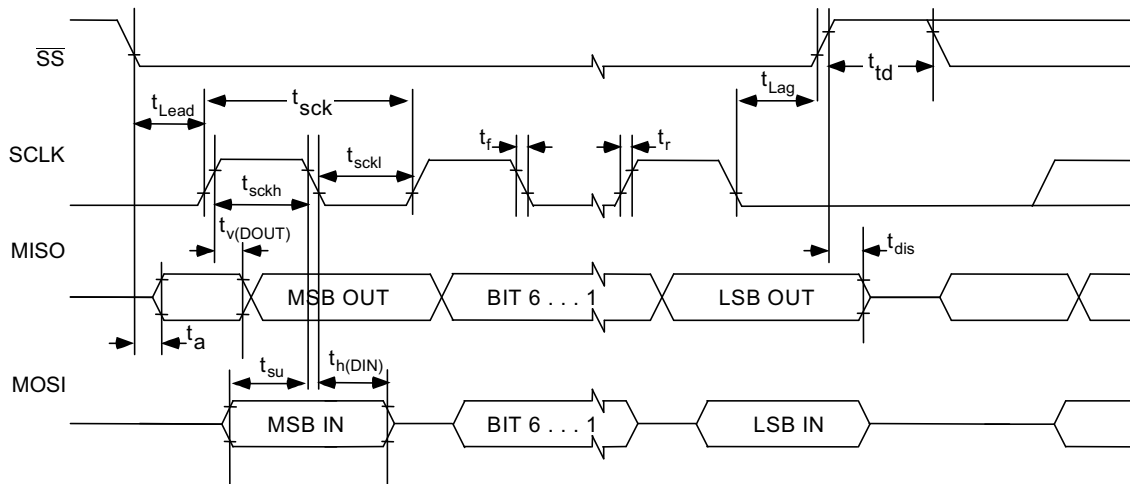
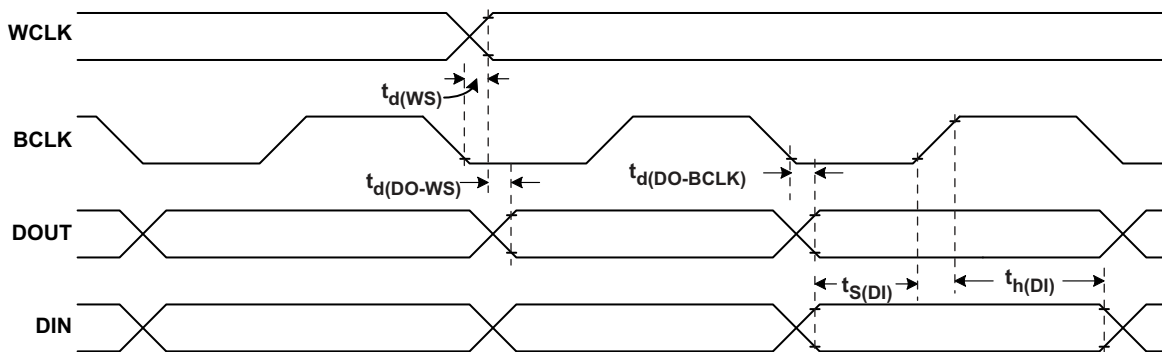
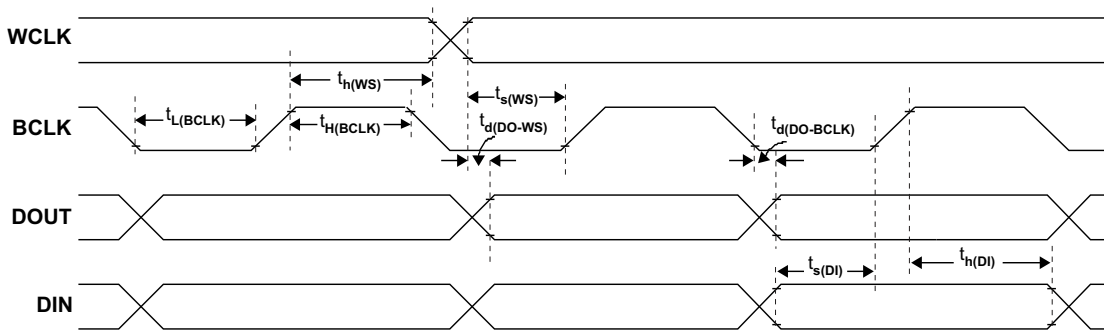


Figure 1. I<sup>2</sup>C Timing


**Figure 2. SPI Interface Timing Diagram**

**Figure 3. I<sup>2</sup>S/LJF/RJF Timing in Master Mode**

**Figure 4. I<sup>2</sup>S/LJF/RJF Timing in Slave Mode**

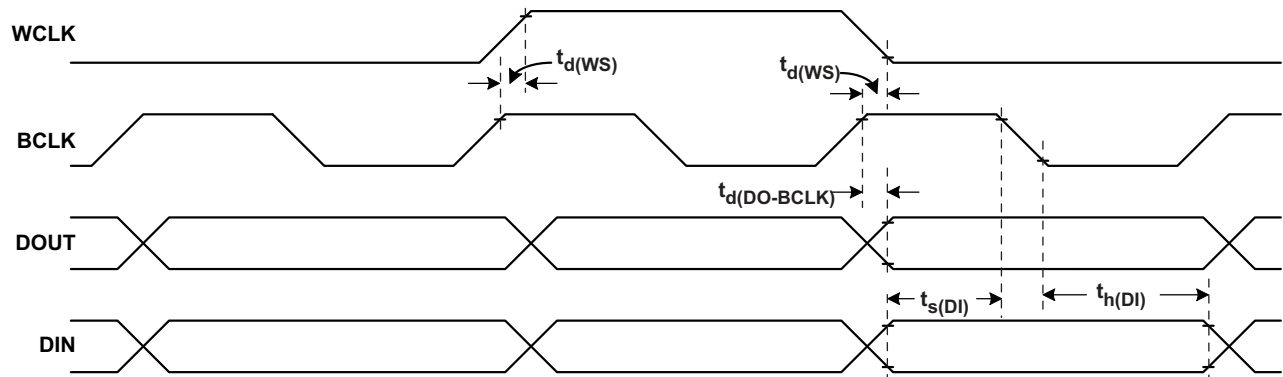


Figure 5. DSP Timing in Master Mode

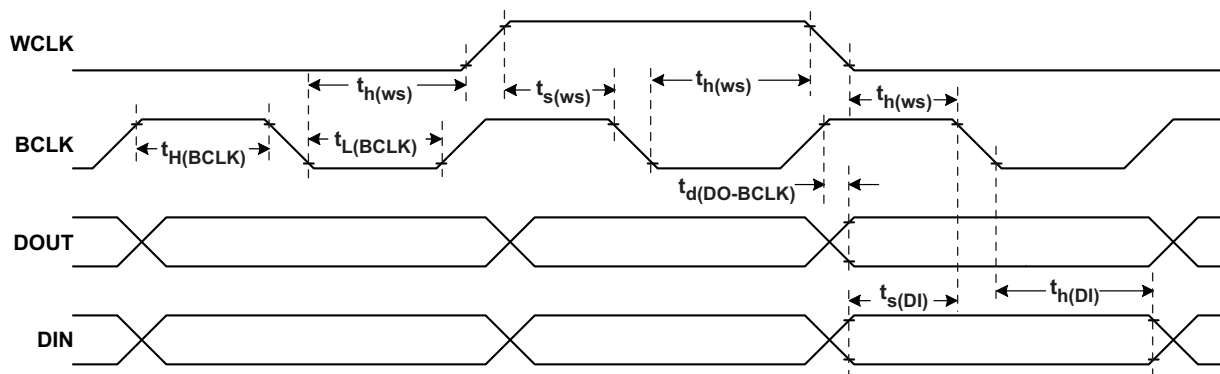
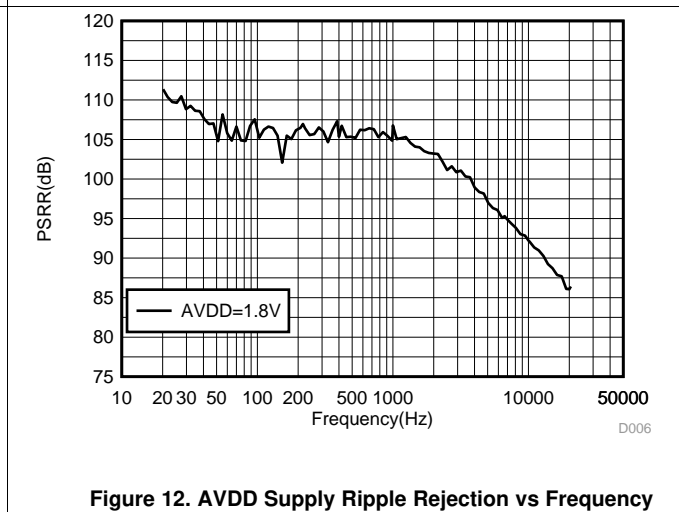
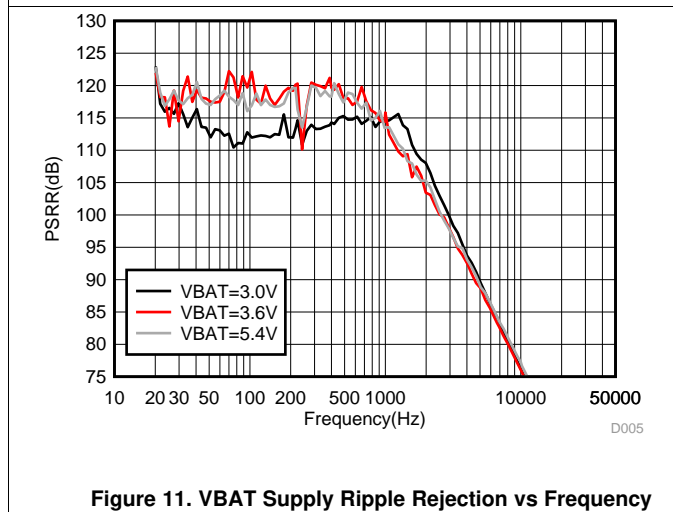
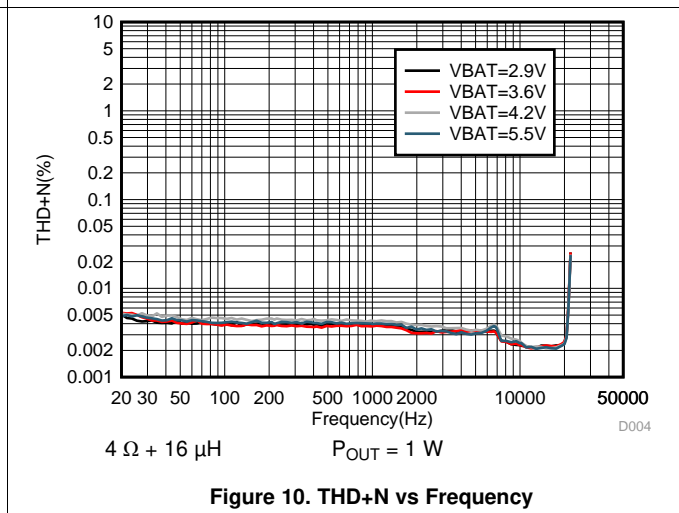
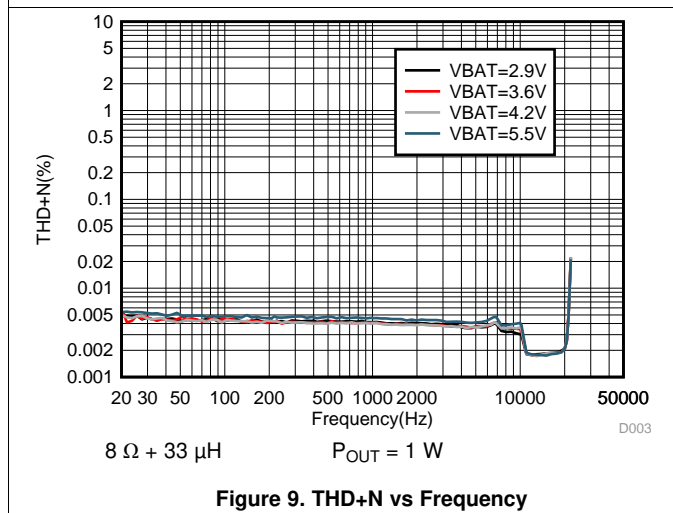
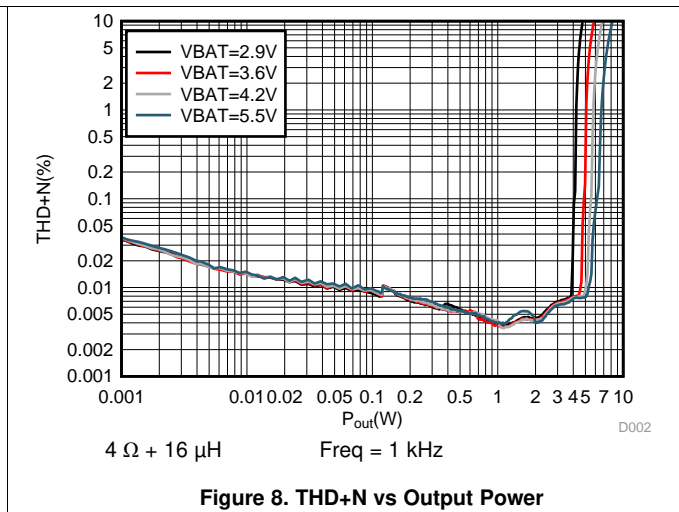
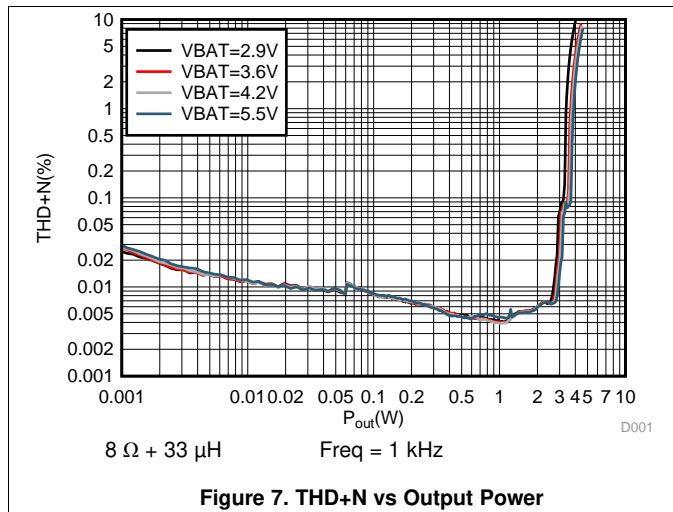


Figure 6. DSP Timing in Slave Mode

### 7.12 Typical Characteristics

VBAT = 3.6 V, AVDD = IOVDD = 1.8 V,  $\overline{\text{RESET}}$  = IOVDD,  $R_L = 8 \Omega + 33 \mu\text{H}$ , I<sup>2</sup>S Digital Input, ROM Mode 1 (Unless Otherwise Noted).



Typical Characteristics (continued)

VBAT = 3.6 V, AVDD = IOVDD = 1.8 V,  $\overline{\text{RESET}}$  = IOVDD,  $R_L = 8 \Omega + 33 \mu\text{H}$ , I<sup>2</sup>S Digital Input, ROM Mode 1 (Unless Otherwise Noted).

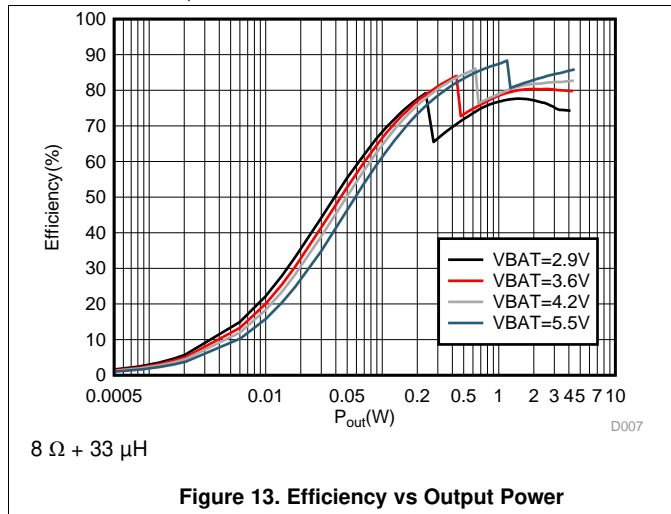


Figure 13. Efficiency vs Output Power

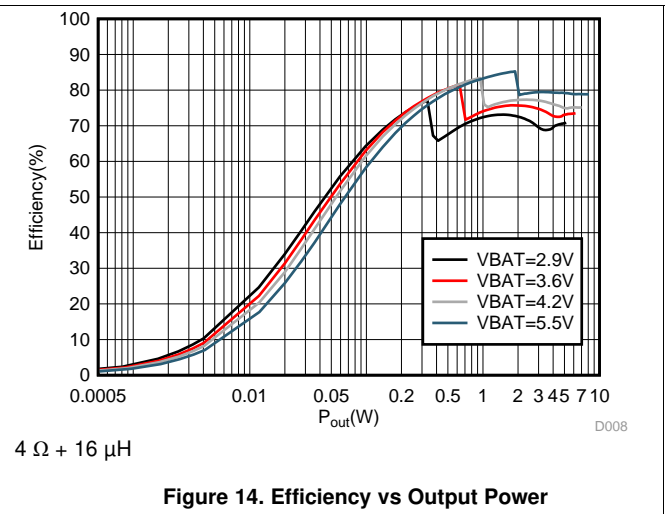


Figure 14. Efficiency vs Output Power

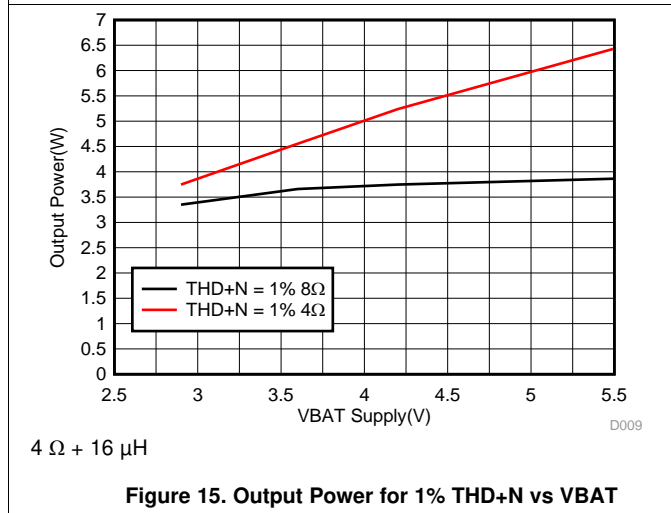


Figure 15. Output Power for 1% THD+N vs VBAT

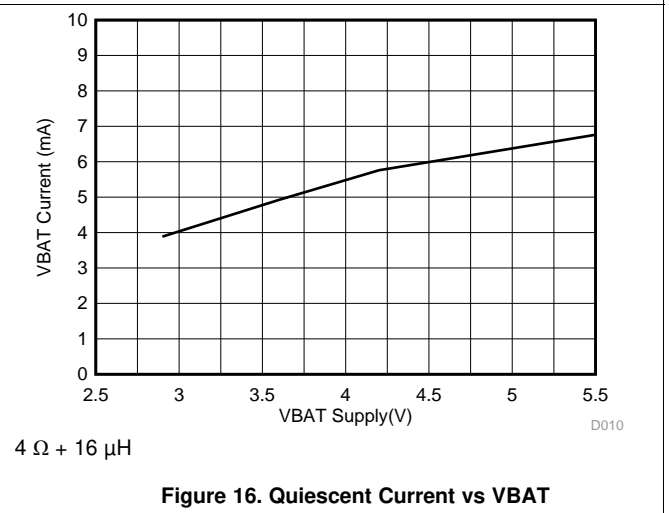


Figure 16. Quiescent Current vs VBAT

## 8 Parameter Measurement Information

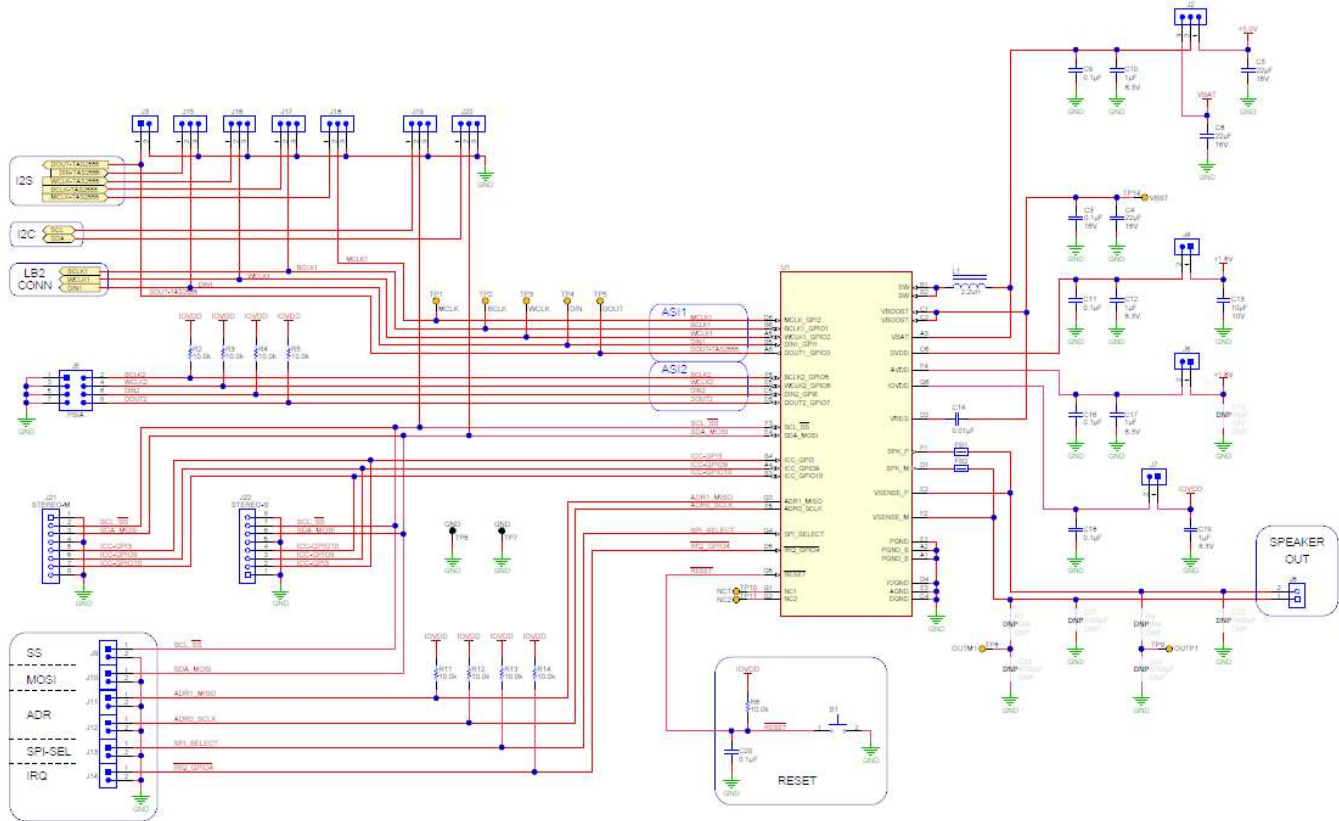


Figure 17. TAS2557 Test Circuit

All typical characteristics for the devices are measured using the bench EVM and an Audio Precision SYS-2722 Audio Analyzer. A PSIA interface is used to allow the I<sup>2</sup>S interface to be driven directly into the SYS-2722. SPEAKER OUT terminal is connected to Audio Precision Analyzer inputs as shown below. There is a differential to single-ended (D2S) filter, with 1<sup>st</sup> order passive pole at 120 kHz added. This is to ensure high performance Class-D amplifier sees a fully differential matched loading at its outputs and while seeing no measurable degradation in performance due to loading effects of AUX filter on Class-D outputs.

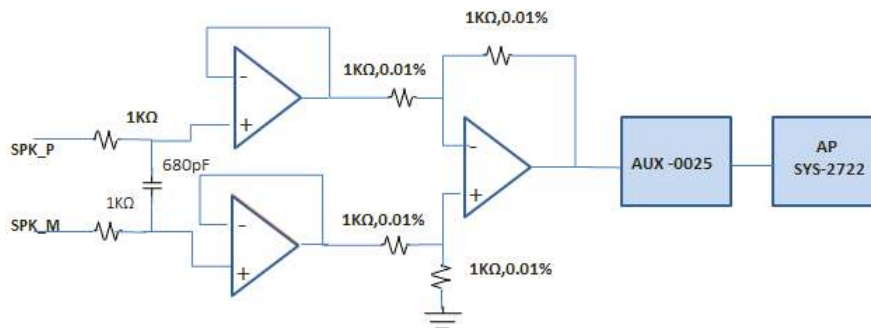


Figure 18. Differential To Single-Ended (D2S) Filter



## 9 Detailed Description

### 9.1 Overview

The TAS2557 device is a state-of-the-art Class-D audio amplifier which is a full system on a chip (SoC). The device features a ultra low-noise audio DAC and Class-D power amplifier which incorporates speaker voltage and current sensing feedback. An on-chip, low-latency DSP supports Texas Instruments' Smart Amp speaker protection algorithms to maximize loudness while maintaining safe speaker conditions. A smart integrated multi-level Class-H boost converter maximizes system efficiency at all times by tracking the required output voltage. The TAS2557 drives up to 3.8 W from a 4.2-V supply into an 8- $\Omega$  speaker with 1% THD, or up to up 5.7 W into a 4- $\Omega$  speaker with 1% THD.

The TAS2557, with final processed digital output, can also be used to increase loudness and clarity in both Noise Canceling / Echo Cancelling speaker phone applications as well as for music or other sound applications. The TAS2557 accepts input audio data rates from 8 kHz to 96 kHz using ROM modes to fully support both speakerphone and music applications. When speaker protection system is running the maximum sampling rate is limited to 48 kHz.

The multi-level Class-H boost converter generates the Class-D amplifier supply rail. When the audio signal requires a output power below VBAT, the boost improves system efficiency by deactivating and connecting VBAT directly to the Class-D amplifier supply. When higher audio output power is required, the boost quickly activates and provides a much louder and clearer signal than can be achieved in any standard amplifier speaker system design approach. A boost inductor of 1  $\mu$ H can be used with a slight increase in boost ripple.

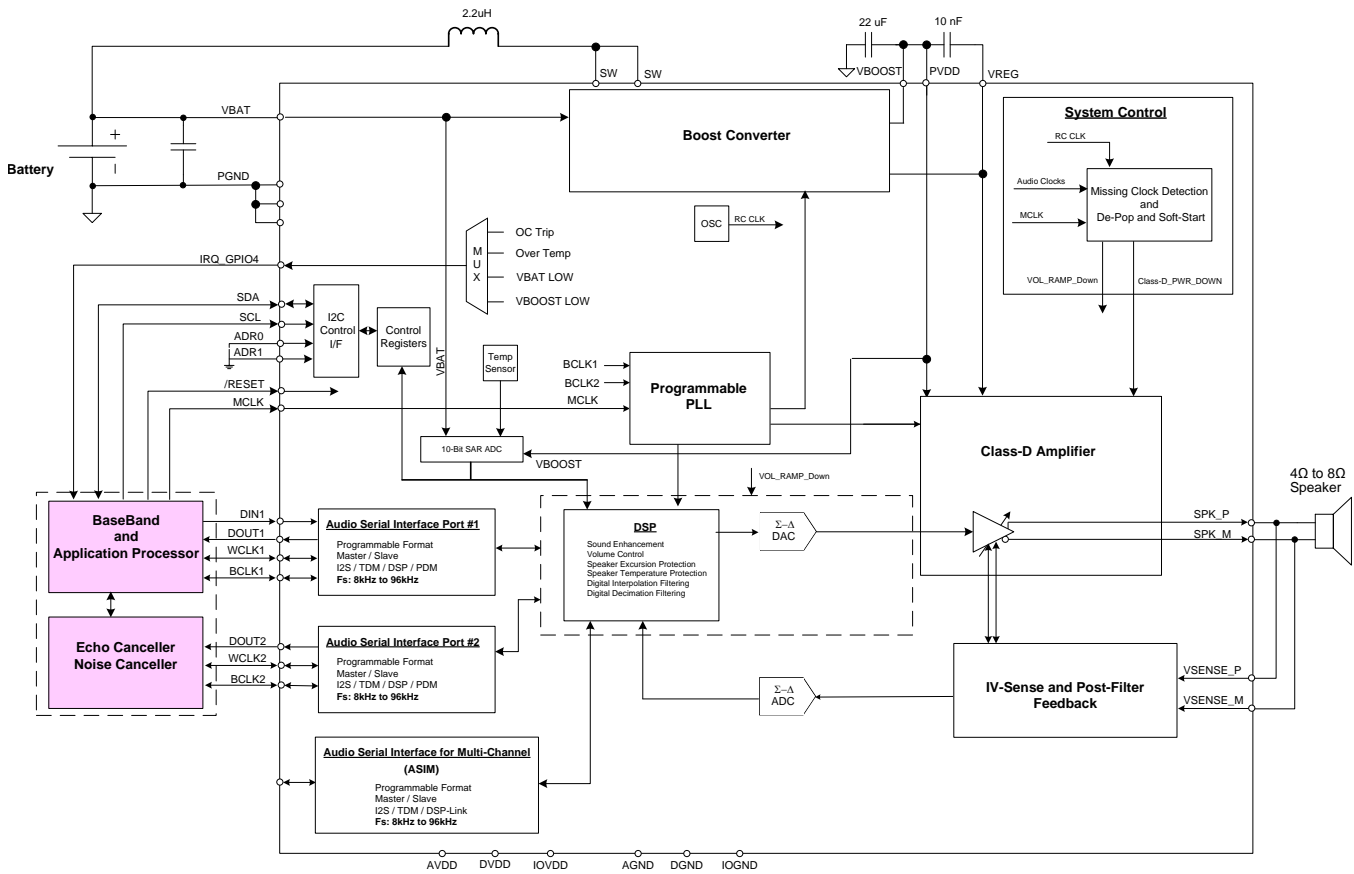
On-chip brownout detection system shutdown down audio at the user configurable threshold to avoid undesired system reset. In addition, an AGC can be selected to minimize clipping events when a lower power supply voltage is provided to the Class-D speaker driver. When this supply voltage drops below the proper level then under-voltage protection will be tripped. All protection statuses are available via register reads.

The Class-D output switching frequency is synchronous with the digital input audio sample rate to avoid left and right PWM frequency differences from beating in stereo applications. PWM Edge rate control and Spread Spectrum features are available if further EMI reduction is desired in the user's system.

The interrupt request pin (IRQ) indicates a device error condition. The interrupt flag condition or conditions are selectable via I<sup>2</sup>C and include: thermal overload, Class-D over-current, VBAT level low, VBOOST level low, and PLL out-of-lock conditions. The IRQ signal is active-high for an interrupt request and low during normal operation. This behavior can be changed by a register setting to tri-state the pin during normal operation to allow the IRQ pin to be tied in parallel with other active-low interrupt request pins on other devices in the system.

Stereo configuration can be achieved with two TAS2557 devices by using the ADR0\_SCLK and ADR1\_MISO pins to set different I<sup>2</sup>C addresses in I<sup>2</sup>C mode or the SCL\_SSZ chip enable pin in SPI mode. Refer to the [General I<sup>2</sup>C Operation](#) or [General SPI Operation](#) sections for more details.

## 9.2 Functional Block Diagram



## 9.3 Feature Description

### 9.3.1 General I<sup>2</sup>C Operation

The TAS2557 operates as an I<sup>2</sup>C slave over the IOVDD voltage range. It is adjustable to one of four I<sup>2</sup>C addresses. This allows multiple TAS2557 devices in a system to connect to the same I<sup>2</sup>C bus. The I<sup>2</sup>C pins are fail-safe. If the part is not powered or is in shutdown the I<sup>2</sup>C pins will not impact the I<sup>2</sup>C bus allowing it to remain functional.

To configure the TAS2557 for I<sup>2</sup>C operation set the SPI\_SELECT pin to ground. The I<sup>2</sup>C address can then be set using pins ADR0\_SCLK and ADR1\_MSIO according to Table 1. The pins configure the two LSB bits of the following 7-bit binary address A6-A0 of 10011xx. This permits the I<sup>2</sup>C address of TAS2557 to be 0x4C(7-bit) through 0x4F(7-bit). For example, if both ADR0\_SCLK and ADR1\_MSIO are connected to ground the I<sup>2</sup>C address for the TAS2557 would be 0x4C(7-bit). This is equivalent to 0x98 (8-bit) for writing and 0x99 (8-bit) for reading.

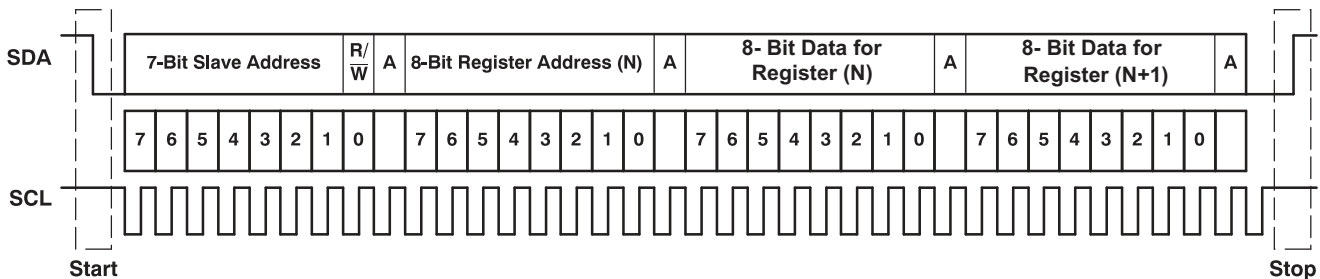
Table 1. I<sup>2</sup>C Address Selection

ADR0_SCLK Pin Connection	ADR1_MSIO Pin Connection	I <sup>2</sup> C Device Address
GND	GND	0x4C
IOVDD	GND	0x4D
GND	IOVDD	0x4E
IOVDD	IOVDD	0x4F

The I<sup>2</sup>C bus employs two signals, SDA (data) and SCL (clock), to communicate between integrated circuits in a system. The corresponding pins on the TAS2557 for the two signals are SDA\_MOSI and SCL\_SSZ. The bus transfers data serially, one bit at a time. The address and data (8-bit) bytes are transferred most-significant bit (MSB) first. In addition, each byte transferred on the bus is acknowledged by the receiving device with an acknowledge bit. Each transfer operation begins with the master device driving a start condition on the bus and ends with the master device driving a stop condition on the bus. The bus uses transitions on the data terminal (SDA) while the clock is at logic high to indicate start and stop conditions. A high-to-low transition on SDA indicates a start, and a low-to-high transition indicates a stop. Normal data-bit transitions must occur within the low time of the clock period. Figure 19 shows a typical sequence.

The master generates the 7-bit slave address and the read/write (R/W) bit to open communication with another device and then waits for an acknowledge condition. The device holds SDA low during the acknowledge clock period to indicate acknowledgment. When this occurs, the master transmits the next byte of the sequence. Each device is addressed by a unique 7-bit slave address plus R/W bit (1 byte). All compatible devices share the same signals via a bi-directional bus using a wired-AND connection.

Use external pull-up resistors for the SDA and SCL signals to set the logic-high level for the bus. Use pull-up resistors between 660 Ω and 4.7 kΩ. Do not allow the SDA and SCL voltages to exceed the device supply voltage, IOVDD.



**Figure 19. Typical I<sup>2</sup>C Sequence**

There is no limit on the number of bytes that can be transmitted between start and stop conditions. When the last word transfers, the master generates a stop condition to release the bus. Figure 19 shows a generic data transfer sequence.

### 9.3.2 Single-Byte and Multiple-Byte Transfers

The serial control interface supports both single-byte and multiple-byte read/write operations for all registers. During multiple-byte read operations, the TAS2557 responds with data, a byte at a time, starting at the register assigned, as long as the master device continues to respond with acknowledges.

The TAS2557 supports sequential I<sup>2</sup>C addressing. For write transactions, if a register is issued followed by data for that register and all the remaining registers that follow, a sequential I<sup>2</sup>C write transaction has taken place. For I<sup>2</sup>C sequential write transactions, the register issued then serves as the starting point, and the amount of data subsequently transmitted, before a stop or start is transmitted, determines to how many registers are written.

### 9.3.3 Single-Byte Write

As shown in Figure 20, a single-byte data-write transfer begins with the master device transmitting a start condition followed by the I<sup>2</sup>C device address and the read/write bit. The read/write bit determines the direction of the data transfer. For a write-data transfer, the read/write bit must be set to 0. After receiving the correct I<sup>2</sup>C device address and the read/write bit, the TAS2557 responds with an acknowledge bit. Next, the master transmits the register byte corresponding to the device internal memory address being accessed. After receiving the register byte, the device again responds with an acknowledge bit. Finally, the master device transmits a stop condition to complete the single-byte data-write transfer.

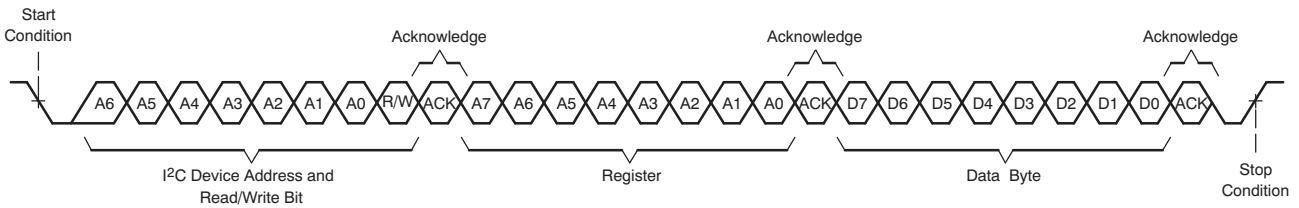


Figure 20. Single-Byte Write Transfer

### 9.3.4 Multiple-Byte Write and Incremental Multiple-Byte Write

A multiple-byte data write transfer is identical to a single-byte data write transfer except that multiple data bytes are transmitted by the master device to the TAS2557 as shown in Figure 21. After receiving each data byte, the device responds with an acknowledge bit.

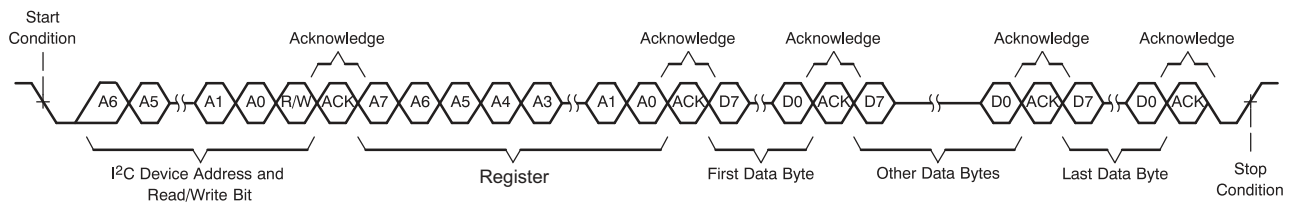


Figure 21. Multiple-Byte Write Transfer

### 9.3.5 Single-Byte Read

As shown in Figure 22, a single-byte data-read transfer begins with the master device transmitting a start condition followed by the I<sup>2</sup>C device address and the read/write bit. For the data-read transfer, both a write followed by a read are actually done. Initially, a write is done to transfer the address byte of the internal memory address to be read. As a result, the read/write bit is set to a 0.

After receiving the TAS2557 address and the read/write bit, the device responds with an acknowledge bit. The master then sends the internal memory address byte, after which the device issues an acknowledge bit. The master device transmits another start condition followed by the TAS2557 address and the read/write bit again. This time, the read/write bit is set to 1, indicating a read transfer. Next, the TAS2557 transmits the data byte from the memory address being read. After receiving the data byte, the master device transmits a not-acknowledge followed by a stop condition to complete the single-byte data read transfer.

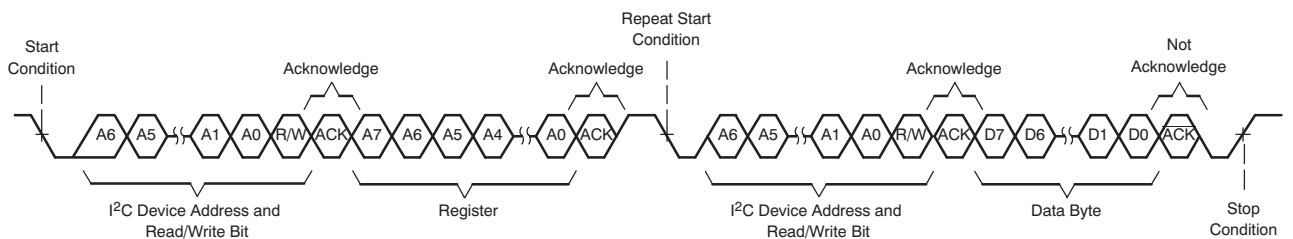
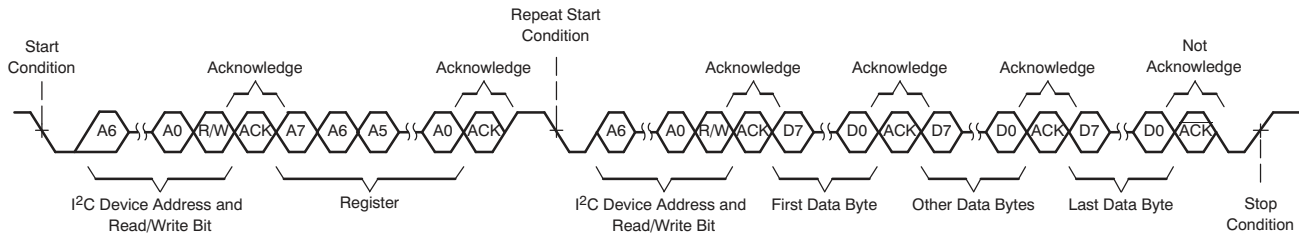


Figure 22. Single-Byte Read Transfer

### 9.3.6 Multiple-Byte Read

A multiple-byte data-read transfer is identical to a single-byte data-read transfer except that multiple data bytes are transmitted by the TAS2557 to the master device as shown in Figure 23. With the exception of the last data byte, the master device responds with an acknowledge bit after receiving each data byte.



**Figure 23. Multiple-Byte Read Transfer**

### 9.3.7 General SPI Operation

The TAS2557 operates as an SPI slave over the IOVDD voltage range.

### 9.3.8 Class-D Edge Rate Control

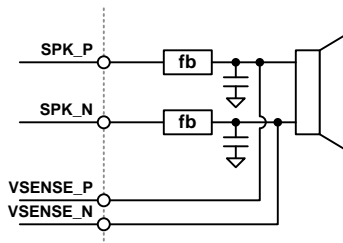
The edge rate of the Class-D output is controllable via I<sup>2</sup>C as shown in Table 2. This allows adjusting the switching edge rate of the Class-D amplifier, trading off efficiency for lower EMI. The default edge rate of 14ns passes EMI testing and is recommend but may be changed if required.

**Table 2. Class-D Edge Rate Control**

SPK_GAIN_EDGE[2:0] (EDGE_RATE)	t <sub>R</sub> AND t <sub>F</sub> (TYPICAL)
000	Reserved
001	Reserved
010	29 ns
011	25 ns
100	14 ns (default)
101	13 ns
110	12 ns
111	11 ns

### 9.3.9 IV Sense

The TAS2557 provides speaker voltage and current sense for real-time monitoring of loudspeaker behavior. The VSENSE\_P and VSENSE\_N pins should be connected after any ferrite bead filter (or directly to the SPK\_P and SPK\_N connections if no EMI filter is used). The V-Sense terminals are used to eliminate IR drop error due to packaging, PCB interconnect, and ferrite bead filter resistance. The V-sense terminals are also used to close the Class-D feedback loop post filter. This Post-Filter Feedback (PFFB) minimizes the THD introduced from the filter-beads used in the system. Any interconnect resistance or non-linearities after the V-Sense terminals connection point will not be corrected for. Therefore, it is advised to connect the sense connections as close to the load as possible.



**Figure 24. V-Sense Connections**

The I-Sense can be configured for three ranges and shown in Table 3. This should be set appropriately based on the DC resistance of the speaker. I-Sense and V-Sense can additionally be powered down as shown in Table 4 and Table 5. When powered down, the device will return null samples for the powered down sense channels.

**Table 3. I-Sense Current Range**

SNS_CTRL[2:1] (ISNS_SCALE)	Full Scale Current	Speaker Load Impedance
00	1.25 A (default)	8 Ω
01	1.5 A	6 Ω
10	1.75 A	4 Ω
11	Reserved	Reserved

**Table 4. I-Sense Mute**

MUTE[1] (MUTE_ISNS)	Setting
0	I-Sense is active (default)
1	I-Sense channel is muted

**Table 5. V-Sense Mute**

MUTE[0] (MUTE_VSNS)	Setting
0	V-Sense is active (default)
1	V-Sense channel is muted

**Table 6. I-Sense Power Down**

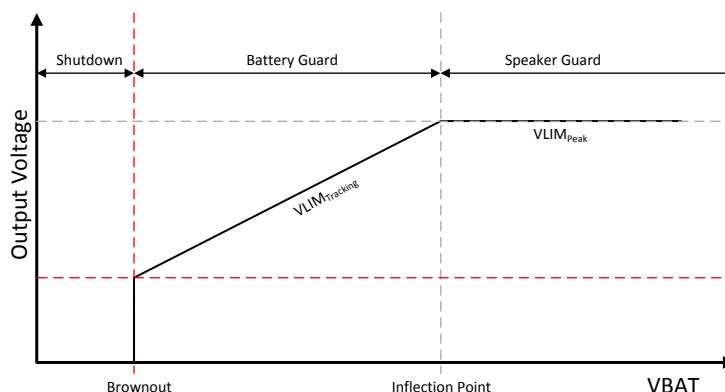
POWER_2[1] (PWR_ISNS)	Setting
0	I-Sense is active (default)
1	I-Sense is powered down

**Table 7. V-Sense Power Down**

POWER_2[0] (PWR_VSNS)	Setting
0	V-Sense is active (default)
1	V-Sense is powered down

### 9.3.10 Battery Tracking AGC

The TAS2557 monitors the battery voltage and audio signal to automatically decrease gain when the battery voltage is low and audio output power is high. This provides louder audio while preventing early shutdown at end-of-charge battery voltage levels. The battery tracking AGC starts to attenuate the signal once the voltage at the Class-D output exceeds  $V_{LIM}$  for a given battery voltage (VBAT). If the Class-D output voltage is below the  $V_{LIM}$  value, no attenuation occurs. If the Class-D output exceeds the  $V_{LIM}$  value the AGC starts to attack the signal and reduce the gain until the output is reduced to  $V_{LIM}$ . Once the signal returns below  $V_{LIM}$  plus some hysteresis the gain reduction decays. The  $V_{LIM}$  is constant above the user configurable inflection point. Below the inflection point the  $V_{LIM}$  is reduced by a user configurable slope in relation to the battery voltage. The attack time, decay time, inflection point and  $V_{LIM}/VBAT$  slope below the inflection point are user configurable. The parameters for the battery tracking AGC are part of the DSP core and can be set using the [PurePath™ Console 3 Software TAS2557 Application](#) software for the TAS2557 part under the Device Control Tab. Below a VBAT level of 2.9 V, the boost will turn on to ensure correct operation but results in increased current consumption. The device is functional until the set brownout level is reached and the device shuts down. The minimum brownout voltage is 2.7 V.

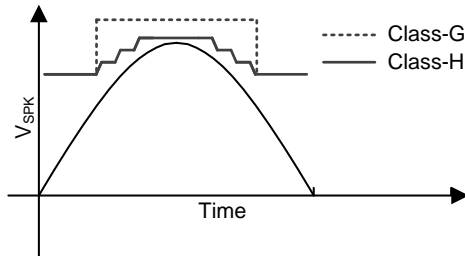


**Figure 25. VLIM versus Supply Voltage (VBAT)**

### 9.3.11 Boost Control

#### 9.3.11.1 Boost Mode

The TAS2557 internal processing algorithm automatically enables the boost when needed. A look-ahead algorithm monitors the battery voltage and the digital audio stream. When the speaker output approaches the battery voltage the boost is enabled in-time to supply the required speaker output voltage. When the boost is no longer required it is disabled and bypassed to maximize efficiency. The boost can be configured in one of two modes. The first is low in-rush (Class-G) supporting only boost on-off and has the lowest in-rush current. The second is high-efficiency (Class-H) where the boost voltage level is adjusted to a value just above what is needed. This mode is more efficient but has a higher in-rush current to quickly transition the levels. This can be configured using [Table 8](#).



**Figure 26. Boost Mode Signal Tracking Example**

**Table 8. Boost Mode**

SPK_CTRL[4] (BST_MODE)	Boost Mode
0	Class-H - High efficiency
1	Class-G - Low in-rush (default)

#### 9.3.11.2 Configurable Boost Current Limit (ILIM)

The TAS2557 device has a configurable boost current limit (ILIM). The default current limit is 3 A but this limit may be set lower based on selection of passive components connected to the boost. The TAS2557 device supports 4 different boost limits.

**Table 9. Current Limit Settings**

BOOST_CTRL_2[1:0] (BST_ILM)	BOOST CURRENT LIMIT (A)
00	1.5
01	2.0
10	2.5
11	3.0 (default)

### 9.3.12 Thermal Fold-back

The TAS2557 monitors the die temperature and prevents it from going over a set limit. When enabled, an internal controller will automatically adjust the signal path gain to prevent the die temperature from exceeding this limit. This allows instantaneous peak power to be delivered to the speaker while limiting the continuous power to prevent thermal shutdown. The configuration parameters for the thermal fold-back are part of the DSP core and can be set using the [PurePath™ Console 3 Software TAS2557 Application](#) software for the TAS2557 part under the Device Control Tab.

### 9.3.13 Fault Protection

The TAS2557 has several protection blocks to prevent damage. Use of these blocks including how to resume from a fault are presented in this section.



### 9.3.13.1 Speaker Over-Current

The TAS2557 has an integrated over-current protection that is enabled once the Class-D is powered up. Large currents in the range of 3-5 A on the Class-D output will trigger an over-current fault. Once the fault is detected, the TAS2557 disables the audio channel and powers down the Class-D amplifier. When an over-current event occurs, a status flag INT\_OC is set. This register is sticky, and the bit remains high until the bit is read or the device is reset. The over-current event can also be used to generate an interrupt if required. Refer to [IRQs and Flags](#) section for more details. To re-enable the audio channel after a fault the Class-D, the device must be hardware or software reset and configuration must be re-loaded.

### 9.3.13.2 Analog Under-Voltage

The TAS2557 has integrated undervoltage protection on the analog power supply lines AVDD and VBAT. The undervoltage limit fault is triggered when AVDD is less than 1.5 V or when VBAT is less than 2.4 V. Once the fault is detected the TAS2557 will disable the audio channel and power down the Class-D amplifier. When an under-voltage event occurs, a status flag INT\_UV is set. This register is sticky and the bit will remain high until the bit is read or the device is reset. The undervoltage event can also be used to generate an interrupt if required. Refer to [IRQs and Flags](#) section for more details. To re-enable the audio channel after a fault, the Class-D must be re-enabled by setting PWR\_SPK high. All other configurations are preserved and the audio channel will power up with the last configured settings.

### 9.3.13.3 Die Over-Temperature

The TAS2557 has an integrated over-temperature protection that is enabled once the Class-D is powered up. If the device internal junction temperature exceeds the safe operating region it will trigger the over-temperature fault. Once the fault is detected the TAS2557 disables the audio channel and powers down the Class-D amplifier. The device waits until the user reads the over-temperature flag INT\_OT to re-enable the Class-D amplifier if the junction temperature returns into a safe operating region. When an over-temperature event occurs, a status flag INT\_OT is set. This register is sticky and the bit will remain high for as long as it is not read, or the device is not reset. The over-temperature event can also be used to generate an interrupt if required. Refer to [IRQs and Flags](#) section for more details. The over-temperature automatic re-enable can be disabled by setting OT\_RT signal. If the automatic re-enable is disabled, the Class-D must be re-enabled by setting PWR\_SPK high after the over-temperature fault. All other configurations are preserved and the audio channel will power up with the last configured settings.

### 9.3.13.4 Clocking Faults

The TAS2557 has two clock error detection blocks. The first is on the Audio Serial Interfaces (ASI). If a clock error is detected on the ASI interfaces, audio artifacts can occur at the Class-D output. When enabled, the ASI clock error detection can mute the device and shutdown the Class-D and DSP core. The clock error detection block is enabled by setting register signal CE1\_EN. The ASI1 or ASI2 clocks can be routed to the block for detection using register CE1\_IC. Additionally, the clock error can be routed to an interrupt pin, and the sticky bit INT\_CLK1 indicates whether the clock error occurred. The second clock error detection block can monitor the DAC, ADC, and PLL clocks. When a clock error is detected, the output is soft-muted and the Class-D powered down. This clock error detection is enabled using bit signal CE2\_EN and can be routed to the interrupt pin. It is indicated in the sticky bit INT\_CLK2.

When a clocking error occurs, the following sequence should be performed to restart the device.

- Clear the clock error interrupts by reading the sticky flags at registers INT\_STICKY\_2 and INT\_STICKY\_2
- Clear the power error signal PWR\_ERR in register POWER\_1

### 9.3.14 Brownout

The TAS2557 has an integrated brownout system to shutdown the device when the battery voltage drops to an insufficient level. This user configurable level can be set under Device Control in the [PurePath™ Console 3 Software TAS2557 Application](#). When brownout event occurs a status flag INT\_BO is set. This register is sticky, and the bit remains high until the bit is read or the device is reset. The brownout event can also be used to generate an interrupt if required. Refer to [IRQs and Flags](#) section for more details. Once the battery voltage drops below the defined threshold, the following actions occur.

- The audio playback is muted in a soft-stepping manner
- DSP, clock dividers, and analog blocks are powered down

- Sticky bit INT\_BO is set

Once the host is aware of the brownout, it should set PWR\_ERR register signal low to put the TAS2557 device in software shutdown and enters low power mode. Once the battery supply is stable above the defined brownout threshold the host can re-enable the device using the power control registers POWER\_1 and POWER\_2.

### 9.3.15 Spread Spectrum vs Synchronized

The Class-D switching frequency can be selected to work in two different modes of operations. This configuration needs to be done before powering up the audio channel. The first is a synchronized mode where the Class-D frequency is synchronized to the audio input sample rate. This is the default mode of operation and should be used in stereo applications to avoid inter-modulation beating of the Class-D frequency from multiple chips. The Class-D switching frequency in this mode can be configured as 384 kHz or 352.8 kHz. The 384 kHz frequency is the default mode of operation and can be used for input signals running on clock rates of 48 kHz or its sub-multiples. For input signals running on clock rate of 44.1 kHz and its sub-multiples, the switching frequency can be selected as 352.8 kHz using [Table 10](#).

The second mode uses the internal oscillator to generate the ramp clock. This is enabled using [Table 11](#). This mode is generally used with [Table 12](#) enabled for spread-spectrum. Spread-spectrum is used to reduce wideband spectral content improving EMI emissions radiated by the speaker. In this mode, the Class-D switching frequency can varies  $\pm 5\%$  or  $\pm 10\%$  as set by [Table 13](#) about the set frequency [Table 10](#).

The configuration for this block should be set using the [PurePath™ Console 3 Software TAS2557 Application](#) software for the TAS2557 part under the Device Control Tab.

**Table 10. Ramp Clock Frequency**

RAMP_CTRL[5:4] (RAMP_FREQ)	Setting
00	384 kHz (default)
01	352.8 kHz
10	Reserved
11	Reserved

**Table 11. Ramp Clock Source**

RAMP_DSP[7] (RAMP_SRC)	Setting
0	Sync Mode - ramp generated from digital audio clock (default)
1	Fixed Frequency Mode(FFM) - ramp generated from internal oscillator

**Table 12. Ramp Clock SSM**

SSM_CTRL[0] (SSM_EN)	Setting
0	SSM mode is disabled
1	SSM mode is enabled <sup>(1)</sup>

(1) Ramp clock source must be from internal oscillator

**Table 13. Ramp SSM Mode**

RAMP_CTRL[1:0] (RAMP_FREQMOD)	Setting
00	Reserved
01	SSM mode enabled with ramp frequency modulated for $\pm 5\%$ (default)
10	SSM mode enabled with ramp frequency modulated for $\pm 10\%$
11	Reserved

### 9.3.16 IRQs and Flags

Internal device flags such as over-current, under-voltage, etc. can be routed as interrupts. The device has 4 interrupts (INT1 - INT4) that can be routed to any of the 10 GPIO pins. If more than one flag is assigned to the same interrupt, the interrupt output is the logical OR-ing of all flags. If multiple flag's are assigned to the same interrupt, the host should then query the flags sticky register to determine which event triggered the interrupt. The 10 GPIO pins can be configured for any interrupt and can be configured using GPIOx\_PIN registers.

**Table 14. Interrupt Registers**

Flag Description	Sticky Register Bit	Register to Route Flag to Interrupt
Over-Current	INT_DET_1[7] (INT_OC)	INT_GEN_1[6:4] (INT_GEN_OC)
Under-Voltage	INT_DET_1[6] (INT_UV)	INT_GEN_1[2:0] (INT_GEN_OV)
Over-Temperature	INT_DET_1[4] (INT_OT)	INT_GEN_2[2:0] (INT_GEN_OT)
Brownout	INT_DET_1[3] (INT_BO)	INT_GEN_3[6:4] (INT_GEN_BO)
Clock Lost	INT_DET_1[2] (INT_CL)	INT_GEN_4[2:0] (INT_GEN_CL)
SAR Complete	INT_DET_1[1] (INT_SC)	INT_GEN_4[6:4] (INT_GEN_SC)
Clock Error 1	INT_DET_2[3] (INT_CE1)	INT_GEN_2[6:4] (INT_GEN_CE1)
Clock Error 2	INT_DET_2[2] (INT_CE2)	INT_GEN_3[3:0] (INT_GEN_CE2)

For example, to route the brownout and under-voltage flags to GPIO5 (Pin IRQ\_GPIO5) the following register settings would be used. The brownout flag would be routed to INT1 by setting INT\_GEN\_BO=001, and under-voltage flag would also be routed to INT1 by setting INT\_GEN\_OV=001. The pin IRQ\_GPIO4 would be set to use INT1 by setting GP4\_OUT=0x07

### 9.3.17 Software Reset

The TAS2557 internal logic must be initialized to a known condition for proper device function by doing a software reset. Performing software reset after a hardware reset is mandatory for reliable device boot up. To perform software reset, write high register signal RESET. After reset, all registers are initialized with default values as listed in the [Register Map](#), and no register read/write should be performed within 100us.

### 9.3.18 PurePath™ Console 3 Software TAS2557 Application

The TAS2557 contains an integrated DSP engine for speaker protection. PurePath™ Console 3 (PPC3) is the software tool used to setup most device configurations and tuning features. Once the software is downloaded and installed from the TI website, the TAS2557 application can be download from within the software. This datasheet refers to options that can be configured using the PPC3 software tool.

PurePath Console 3 is an intuitive graphical user interface (GUI) for characterizing and tuning speakers. Step-by-step wizards guide developers through speaker characterization and system calibration. After characterization, the PPC3 provides visual representations of speaker capabilities and frequency response. Easy to use, real-time tuning information supported via mouse-over and complete process walk-throughs. PPC3 has full access to device registers and is the simplest way to modify device settings, EVM and learning board configuration. From speaker assessment to production, PPC3 is your simple, single development tool.

### 9.3.19 Operational Modes

#### 9.3.19.1 Hardware Shutdown

The device enters hardware shutdown mode if the RESETZ pin is asserted low. In hardware shutdown mode, the device consumes the minimum quiescent current from VDD and VBAT supplies. All registers loose state in this mode and I<sup>2</sup>C communication is disabled.

If RESETZ is asserted low while audio is playing, the device immediately stops operation and enters hardware shutdown mode. This may result in pops or clicks. It is recommend to first enter software shutdown before entering hardware shutdown.

When RESETZ is released, the device will enter software shutdown. A power up sequence such as with the appropriate mode selected should be executed to exit shutdown in the desired mode of operation.

### 9.3.19.2 Software Shutdown

Software shutdown mode powers down all analog blocks required to playback audio, but does not cause the device to lose register state. Software shutdown is enabled by following [Device Power Up and Unmute Sequence](#).

### 9.3.19.3 Low Power Sleep

The device has a low power sleep ([Table 15](#)) mode option to reduce the power consumption on analog supply VBAT. In order to use this operating mode, the VBAT and AVDD supply should remain powered up when in this mode. This mode disables the Power-on Reset connected to the VBAT supply reducing current consumption.

**Table 15. Low Power Sleep**

LOW_PWR[7] (VBAT_POR)	Low Power Sleep Mode
0	Disabled (default)
1	Enabled - VBAT POR shutdown

### 9.3.19.4 Software Reset

The TAS2557 internal logic must be initialized to a known condition for proper device function by doing a software reset. Performing software reset after a hardware reset is mandatory for reliable device boot up. A software reset can be accomplished by asserting RESET bit in [Table 16](#), which is self clearing. This will restore all registers to their default values. After software reset is performed, no register read/write should be performed within 100us while initialization sequence occurs.

**Table 16. Software Reset**

RESET[0] (RESET)	Action
0	Don't reset (default)
1	Reset(Self clearing)

### 9.3.19.5 Device Processing Modes

The TAS2557 DSP can be initialized into one of three modes. The advanced processing features in these modes, such as battery guard, thermal fold-back, brownout, and boost are configured using [PurePath™ Console 3 Software TAS2557 Application](#)

**Table 17. Device Power Mode**

BOOT_MODE[3:0] (DSP_MODE)	Operating Mode
0000	Reserved
0001	<a href="#">Mode 1 - PCM input playback only</a> (default)
0010	<a href="#">Mode 2 - PCM input playback + PCM IVsense output</a>
0011	<a href="#">Mode 3 - Smart Amp Mode</a>

#### 9.3.19.5.1 Mode 1 - PCM input playback only

ROM mode 1 provides the quickest initialization for the TAS2557 power up and is the lowest power mode. This mode can be used to play a known power up audio sequence before the rest of the audio system software is loaded. The mode provides fault protection, brownout protection, volume control, and Class-H controller. The EQ and Battery Guard can be enabled with minimal additional configuration. The speaker protection algorithm is not running in this mode and the I/V sense ADCs are powered down to minimize power consumption. The PLL can be disabled for even lower power consumption if the MCLK supplied is at least 12.288MHz for any fs which is multiple or sub-multiple of 48kHz, or 11.2896 MHz for Fs of 44.1kHz. This mode should be used to characterize the electrical performance on the TAS2557 without any influence from the protection algorithm present in other modes.

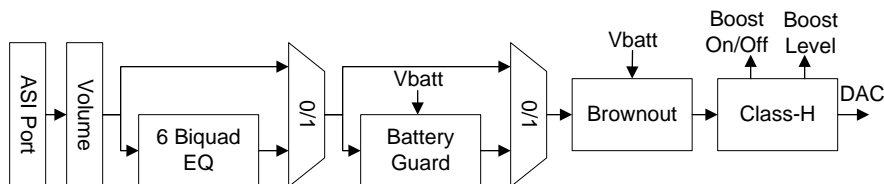


Figure 27. ROM Mode 1 Processing Block Diagram

9.3.19.5.2 Mode 2 - PCM input playback + PCM IVsense output

ROM mode 2 is similar to ROM mode 1 except the I/V sense ADCs are powered up and the data is routed back on the L/R return channels of the ASI port. This mode can be used to return the I/V data to the host and perform alternate computations on the speaker I/V measurements.

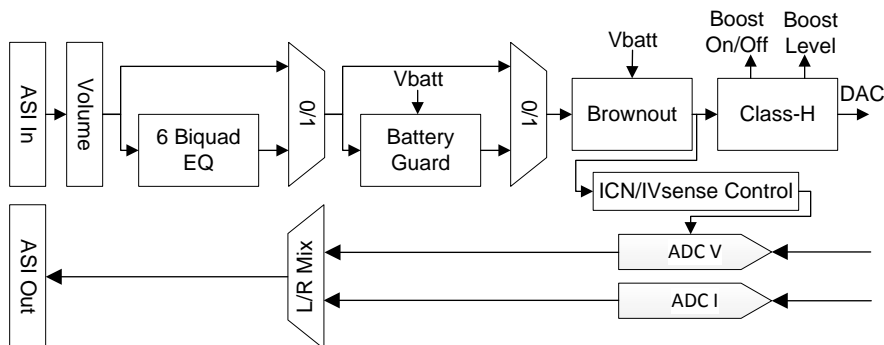


Figure 28. ROM Mode 2 Processing Block Diagram

9.3.19.5.3 Mode 3 - Smart Amp Mode

Smart Amp Mode is used to run the TI Smart Amp algorithm on the built in DSP. This mode involves loading larger output files generated from the *PurePath™ Console 3 Software TAS2557 Application*. The generated files contain the speaker models, equalization, and additional configuration parameters in a format to load over the I<sup>2</sup>C or SPI interface. TI's Smart Amp provides thermal and excursion protection using initial speaker models and the current and voltage feedback. This allows TAS2557 to determine exact coil temperature and update the initial model due to variations in speaker and ambient conditions. More information about this mode can be found in the *PurePath™ Console 3 Software TAS2557 Application*.

9.4 Device Functional Modes

9.4.1 Audio Digital I/O Interface

Audio data is transferred between the host processor and the TAS2557 via the digital audio serial interface (ASI), or audio bus. The ASI buses (ASI1 and ASI2) can be configured for left or right-justified, I2S, DSP, or TDM modes of operation. Standard telephony PCM interfaces are supported within the TDM mode.. These modes are all MSB-first, with data width programmable to 16, 20, 24, or 32 bits. In addition, the WCLK and BCLK can be independently configured in either master or slave mode for flexible connectivity to a wide variety of processors. The word clock is used to define the beginning of a frame, and may be programmed as either a pulse or a square-wave signal. The frequency of this clock corresponds to the maximum of the selected ADC and DAC sampling frequencies.

Table 18. ASI PCM Mode

ASI1_FORMAT[4:2] (ASI1_MODE)	ASI2_FORMAT[4:2] (ASI2_MODE)	ASI Function Mode
000	000	I <sup>2</sup> S Mode (default)
001	001	DSP Mode
010	010	Right-Justified Mode (RJF)

**Table 18. ASI PCM Mode (continued)**

ASI1_FORMAT[4:2] (ASI1_MODE)	ASI2_FORMAT[4:2] (ASI2_MODE)	ASI Function Mode
011	011	<a href="#">Left-Justified Mode (LJF)</a>
100	100	<a href="#">Mono PCM Mode</a>

**Table 19. ASI PCM Input Word Length**

ASI1_FORMAT[1:0] (ASI1_LENGTH)	ASI2_FORMAT[1:0] (ASI2_LENGTH)	Word Length
00	00	16 bits
01	01	20 bits
10	10	24 bits (default)
11	11	32 bits

The bit clock (BCLK) is used to clock in and clock out the digital audio data across the serial bus. This signal can be programmed to generate variable clock pulses by controlling the BCLK multiply-divide factor in Registers 0x08 through 0x10. The number of BCLK pulses in a frame may need adjustment to accommodate various word-lengths as well as to support the case when multiple TAS2557 devices may share the same audio bus.

The TAS2557 also includes a feature to offset the position of start of data transfer with respect to the wordclock (WCLK). This offset is specified in number of BCLKs. This can be used in cases where there is a non-zero bit-clock delay from WCLK edge or to support TDM modes of operation. The TAS2557 can place the DOUT line into a Hi-Z (tri-state) condition during all BCLKs when valid data is not being sent. TDM mode is useable with I<sup>2</sup>S, LJF, RJF, and DSP interface modes and is required for stereo applications when more than one TAS2557 part is used. The TAS2557 also has a bus keeper circuit that can be enabled in tri-state mode. The bus-keeper is a weak internal latch that will hold the data line state without the need for external pull-up or pull-down resistors while signal lines are in the Hi-Z or non-driven state.

**Table 20. ASI OFFSET1**

ASI1_OFFSET_1 (ASI_OFFSET1)	ASI2_OFFSET_1 (ASI2_OFFSET1)	BCLKs from WCLK edge for data channel
0x00	0x00	0 (default)
0x01	0x01	1
0x02	0x02	2
...	...	...
0xFF	0xFF	255

**Table 21. ASI Tri-state**

ASI1_FORMAT[0] (ASI1_TRISTATE)	ASI2_FORMAT[0] (ASI2_TRISTATE)	Tri-state DOUT for extra BCLK cycles after frame is complete
0	0	disabled (default)
1	1	enabled

**Table 22. ASI Bus-keeper**

ASI1_BUSKEEP[7] (ASI1_BKP)	ASI2_BUSKEEP[7] (ASI2_BKP)	Tri-state DOUT for extra BCLK cycles after frame is complete
0	0	disabled (default)
1	1	enabled

Additional configuration options for the ASI1 and ASI2 interface can be found in the [Register Map](#). It is recommended to use the [PurePath™ Console 3 Software TAS2557 Application](#) software for TAS2557 to configure the ASI interfaces.

9.4.1.1 I<sup>2</sup>S Mode

In I<sup>2</sup>S mode, the MSB of the left channel is valid on the second rising edge of the bit clock after the falling edge of the word clock. Similarly the MSB of the right channel is valid on the second rising edge of the bit clock after the rising edge of the word clock.

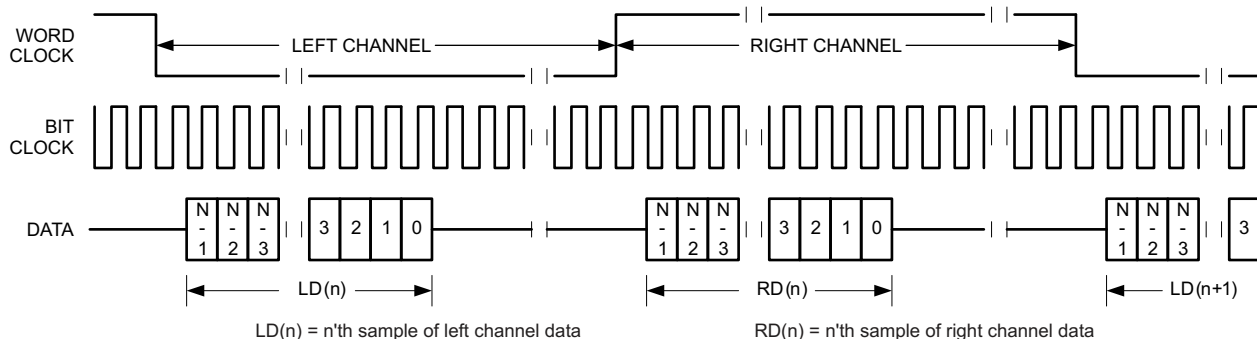


Figure 29. Timing Diagram for I<sup>2</sup>S Mode

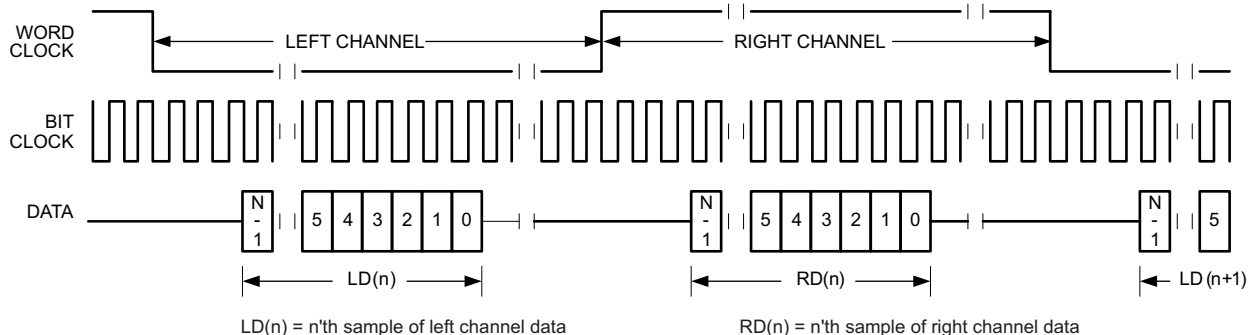


Figure 30. Timing Diagram for I<sup>2</sup>S Mode with ASI\_OFFSET1 = 2

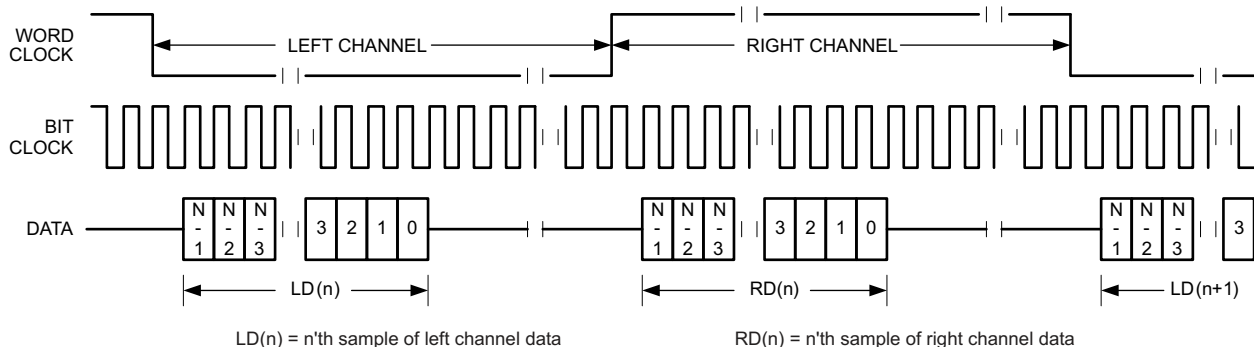
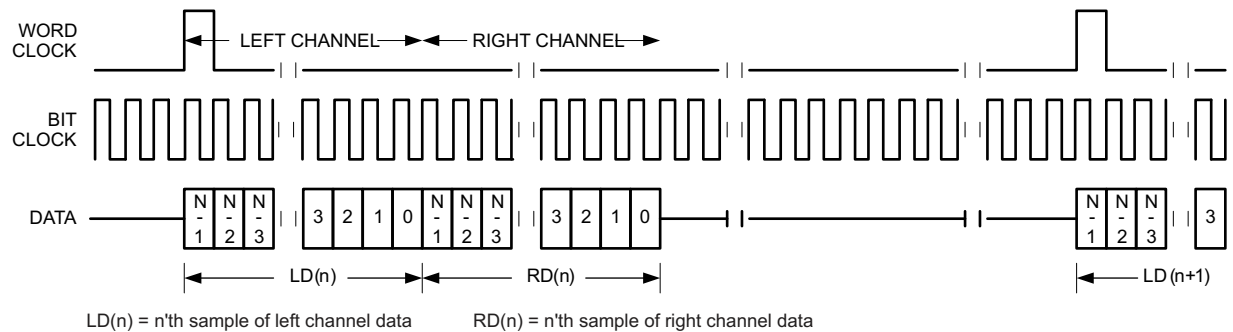


Figure 31. Timing Diagram for I<sup>2</sup>S Mode with ASI\_OFFSET1 = 0 and Inverted Bit Clock

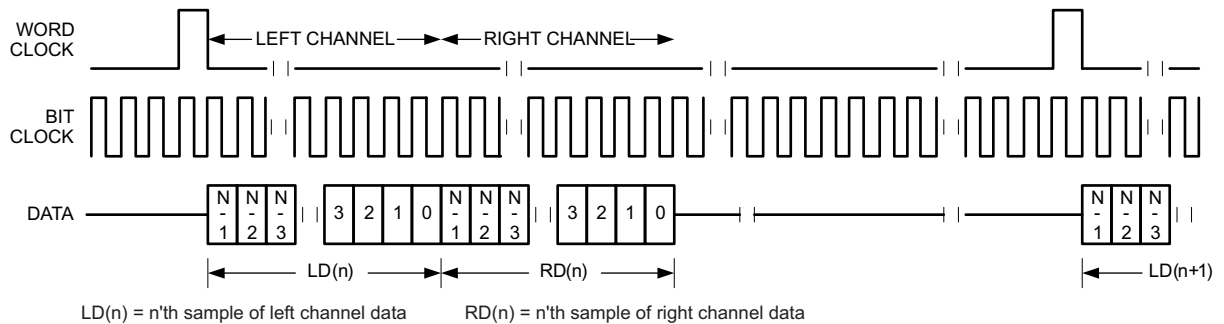
For I<sup>2</sup>S mode, the number of bit-clcks per channel should be greater than or equal to the programmed word-length of the data. Also the programmed offset value should be less than the number of bit-clcks per frame by at least the programmed word-length of the data.

### 9.4.1.2 DSP Mode

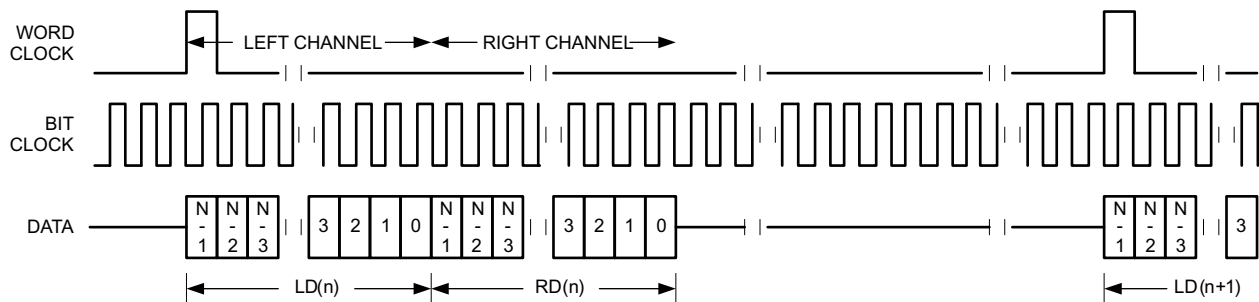
In DSP mode, the rising edge of the word clock starts the data transfer with the left channel data first and immediately followed by the right channel data. Each data bit is valid on the falling edge of the bit clock.



**Figure 32. Timing Diagram for DSP Mode**



**Figure 33. Timing Diagram for DSP Mode with ASI\_OFFSET1=1**



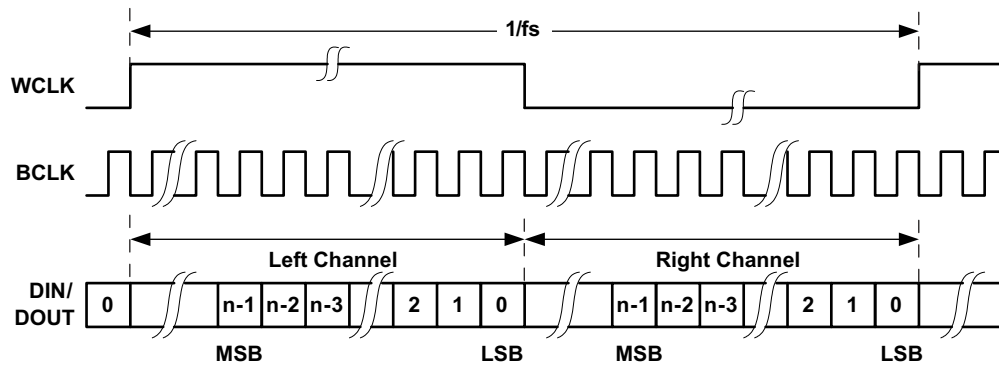
**Figure 34. Timing Diagram for DSP Mode with ASI\_OFFSET1=0 and Inverted Bit Clock**

For DSP mode, the number of bit-clcks per frame should be greater than twice the programmed word-length of the data. Also the programmed offset value should be less than the number of bit-clcks per frame by at least the programmed word-length of the data.

### 9.4.1.3 Right-Justified Mode (RJF)

In right-justified mode, the LSB of the left channel is valid on the rising edge of the bit clock preceding the falling edge of the word clock. Similarly, the LSB of the right channel is valid on the rising edge of the bit clock preceding the rising edge of the word clock.



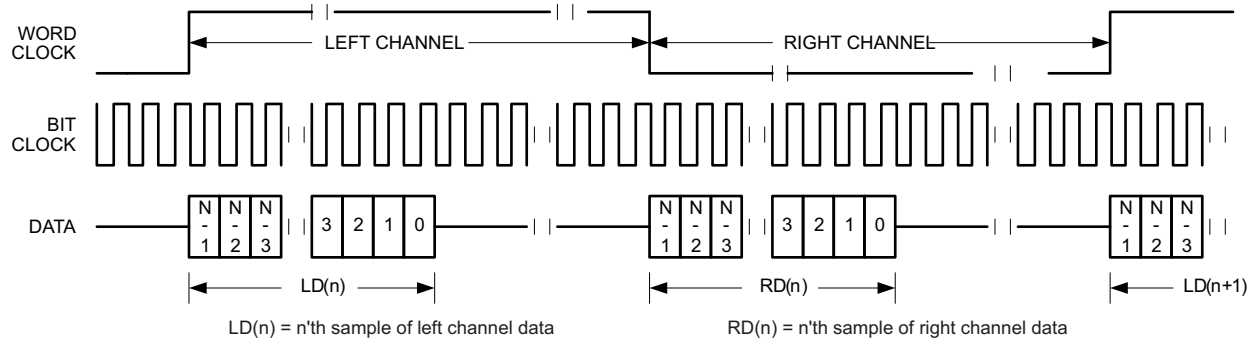


**Figure 35. Timing Diagram for Right-Justified Mode**

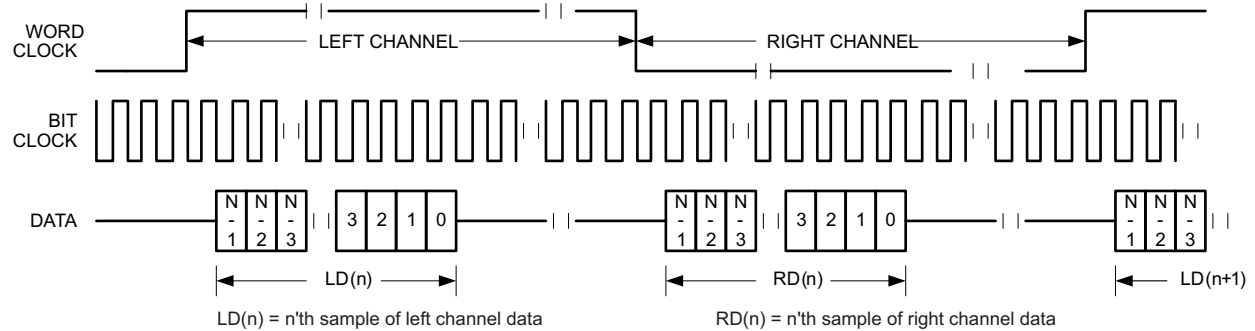
For right-justified mode, the number of bit-clocks per frame should be greater than twice the programmed word-length of the data.

#### 9.4.1.4 Left-Justified Mode (LJF)

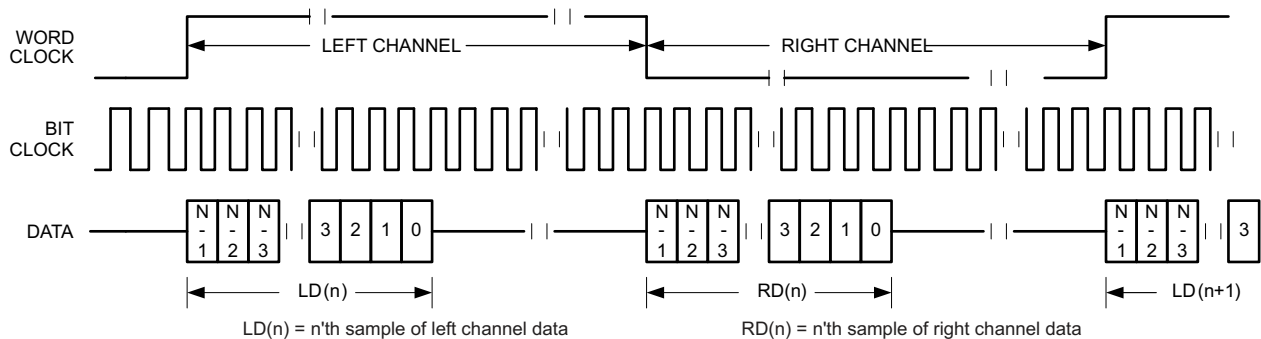
In left-justified mode, the MSB of the right channel is valid on the rising edge of the bit clock following the falling edge of the word clock. Similarly the MSB of the left channel is valid on the rising edge of the bit clock following the rising edge of the word clock.



**Figure 36. Timing Diagram for Left-Justified Mode**



**Figure 37. Timing Diagram for Light-Left Mode with ASI\_OFFSET1 = 1**



**Figure 38. Timing Diagram for Left-Justified Mode with ASI\_OFFSET1 = 0 and Inverted Bit Clock**

For left-justified mode, the number of bit-clcks per frame should be greater than twice the programmed word-length of the data. Also, the programmed offset value should be less than the number of bit-clcks per frame by at least the programmed word-length of the data.

#### 9.4.2 Mono PCM Mode

In mono PCM mode, the rising edge of the word clock starts the data transfer of the single channel of data. Each data bit is valid on the falling edge of the bit clock.

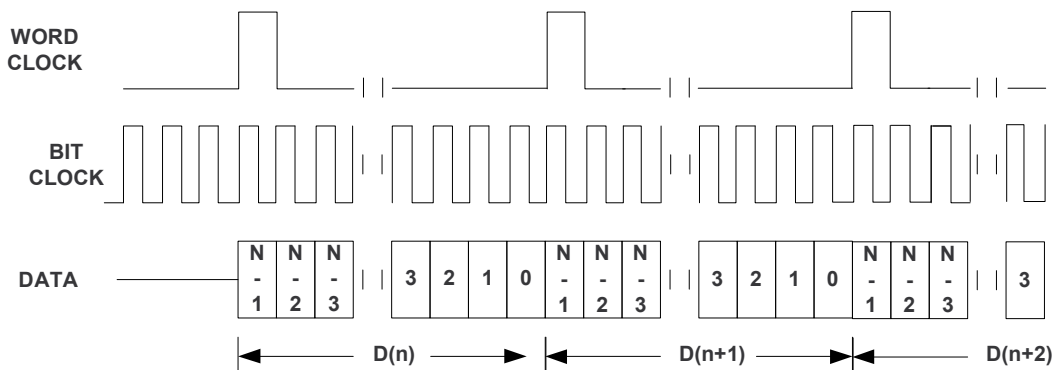


Figure 39. Timing Diagram for Mono PCM Mode

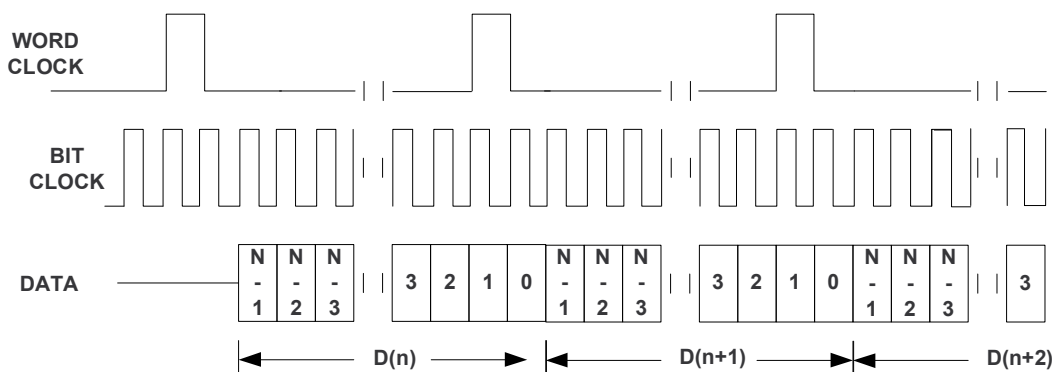


Figure 40. Timing Diagram for Mono PCM Mode with ASI\_OFFSET1=2

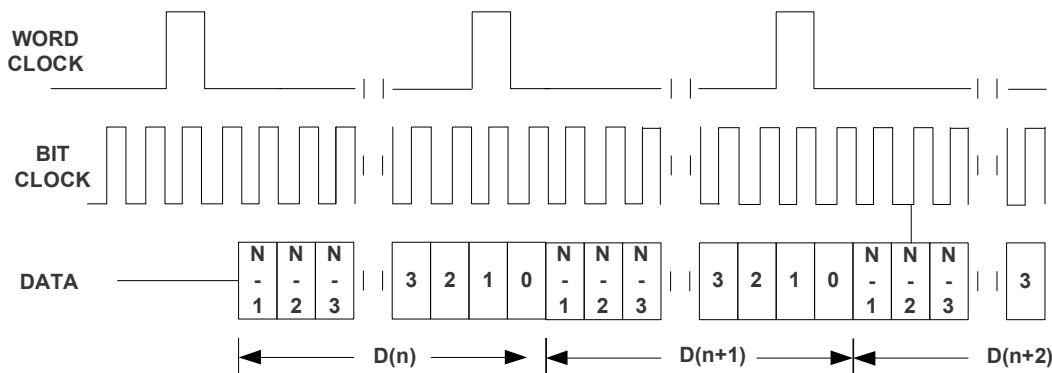


Figure 41. Timing Diagram for Mono PCM Mode with ASI\_OFFSET1=2 and Bit Clock Inverted

For mono PCM mode, the programmed offset value should be less than the number of bit-clocks per frame by at least the programmed word-length of the data.

### 9.4.3 Stereo Application Example - TDM Mode

Time-division multiplexing (TDM) is required for two or more devices to share a common DIN connection and a common DOUT connection. Using TDM mode, all devices transmit their DOUT data in user-specified sub-frames within one WCLK period. When one device transmits its DOUT information, the other devices place their DOUT terminals in a high impedance tri-state mode. The host processor can operate in I<sup>2</sup>S mode while the TAS2557 is running in I<sup>2</sup>S TDM mode to support sharing of the same DOUT line.

TDM mode is useable with I<sup>2</sup>S, LJF, RJF, and DSP interface modes. Refer to the respective sections for a description of how to set the TAS2557 into those modes.

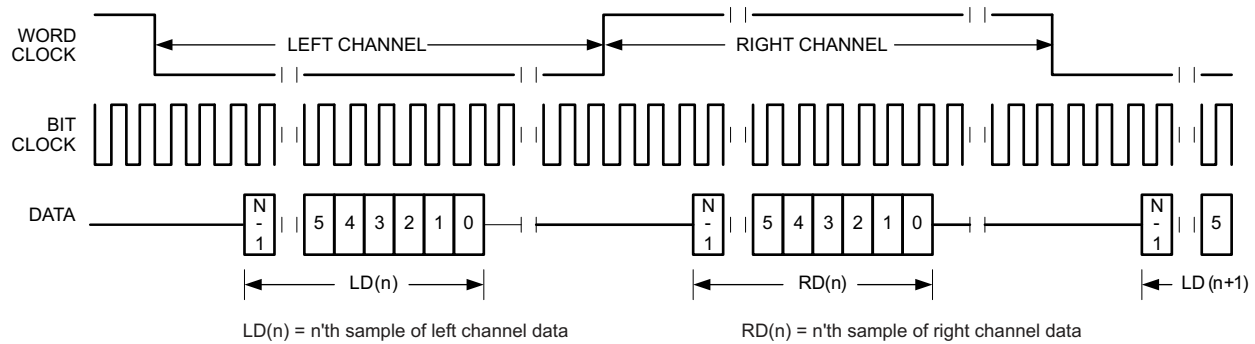


Figure 42. Timing Diagram for I<sup>2</sup>S in TDM Mode with ASI\_OFFSET1=2

For TDM mode, the number of bit-clcks per frame should be less than the programmed word-length of the data. Also the programmed offset value should be less than the number of bit-clcks per frame by at least the programmed word-length of the data.

## 9.5 Programming

While the below scripts are provided as configuration examples, it is recommended to use [PurePath™ Console 3 Software TAS2557 Application](#) software to generate the device configuration files. This software contains configuration checks to ensure proper settings are used in the device for various cases and loaded the needed fixed-function DSP patches.

### 9.5.1 Code Loading and CRC check

The TI Smart Amp software is loaded into program ram (PRAM) through writes to mapped memory registers. The encrypted binary software is downloaded and decoded on chip. Therefore read-back of the PRAM is disabled. However an 8-bit CRC checksum is provided to the customer to verify the code was correctly written to PRAM error-free. Once the software download is complete, the calculated 8-bit CRC checksum can be read from register CRC\_CHECKSUM. If this value matches the checksum supplied with the program, the load to PRAM was successful. If new PRAM code is loaded the TAS2557 device should first be software or hardware reset to clear the CRC checksum register so that a proper checksum from the new code to be loaded.

## Programming (continued)

The following is an example script used to load the DSP software and verify the CRC checksum.

```
#####
#This script is a demo for downloading the PRAM code and checking CRC checksum
i i2cstd
#mclk expected is 24.576 MHz
#configuring device registers for 8 ohm speaker load
##### DEVICE INIT SEQ START#####
w 98 00 00 #Page-0
w 98 7f 00 #Book-0
w 98 01 01 #Software reset
d 1 # wait 100us time for OTP-One Time Programmable memory values to be transferred to device

##### INIT SECTION START
w 98 7f 64 # book 100
w 98 46 01 # IRAM boot
w 98 7f 00 # book 0
##### INIT SECTION END

##### DSP PROG SETTING START
w 98 7f 64
w 98 00 01
#add writes for download to PRAM here
w 98 00 00
w 98 7f 00
##### DSP PROG SETTING END

##### DEVICE INIT SEQ END #####

r 98 20 1 # reading the CRC checksum for the PRAM download , if read = CRC checksum provided to
customer => PRAM download success

##### CHANNEL POWER UP #####
w 98 05 A3 # Power up Analog Blocks
w 98 04 B8 # Power up DSP and clock dividers
w 98 07 00 # Unmute Analog Blocks
w 98 7f 64 # switch to book100
w 98 07 00 # Soft stepped unmute of audio playback
#####

##### DSP coeff update START
# d 1
# DSP filter coefficient update if required
##### DSP coeff update END

#####device powered up and running#####

##### CHANNEL POWER DOWN #####
w 98 07 01 # Soft stepped mute of audio playback
d 10 # wait for DSP to mute classD after soft step down of audio
# instead of delay alternatively status flag B120_P15_R120_R121_R122_R123 polling can be done and wait
till R122_D0 = '1'.
w 98 7f 00 # switch to book0
w 98 07 03 # Mute Analog Blocks
w 98 04 20 # Power down DSP and clock dividers (except Ndivider)
w 98 05 00 # Power down Analog Blocks
w 98 00 00 # NOP
w 98 04 00 # Power down Ndivider
#####
#optional(ending the script in B0_P0)
w 98 00 00 # page 0
w 98 7f 00 # book 0
#####
```

## Programming (continued)

### 9.5.2 Device Power Up and Unmute Sequence

The following code example provide the correct sequence to power up and unmute the device. The [PurePath™ Console 3 Software TAS2557 Application](#) software will create output files with these commands. The following is a example of powering up the part in DSP Mode 2 with proper sequencing.

```

Example script (ROM Mode 2):
#####
i i2cstd
#mclk expected is 24.576 MHz
#configuring device registers for 8 ohm speaker load
##### DEVICE INIT SEQ START#####
w 98 00 00 #Page-0
w 98 7f 00 #Book-0
w 98 01 01 #Software reset
d 1      # wait 100us time for OTP-One Time Programmable memory values to be transferred to device

##### DSP PROG SETTING START
w 98 22 22 # use default coefficients and operate DSP in rom mode 2
##### DSP PROG SETTING END

##### DEVICE INIT SEQ END #####

##### CHANNEL POWER UP #####
w 98 05 A3 # Power up Analog Blocks
w 98 04 B8 # Power up DSP and clock dividers
w 98 07 00 # Unmute Analog Blocks
w 98 7f 64 # switch to book100
w 98 07 00 # Soft stepped unmute of audio playback
#####

##### DSP coeff update START
# d 1
# DSP filter coefficient update if required
##### DSP coeff update END

b #####device powered up and running#####

```

## Programming (continued)

### 9.5.3 Device Mute and Power Down Sequence

The following code example provide the correct sequence to mute and power down the device. The [PurePath™ Console 3 Software TAS2557 Application](#) software will create output files with these commands.

```

Example script (ROM Mode 2):
#####
i i2cstd
##### CHANNEL POWER DOWN #####
w 98 07 01 # Soft stepped mute of audio playback
d 10 # wait for DSP to mute classD after soft step down of audio
# instead of delay alternatively status flag B120_P15_R120_R121_R122_R123 polling can be done and wait
till R122_D0 = '1'.
w 98 7f 00 # switch to book0
w 98 07 03 # Mute Analog Blocks
w 98 04 20 # Power down DSP and clock dividers (except Ndivider)
w 98 05 00 # Power down Analog Blocks
w 98 00 00 # NOP
w 98 04 00 # Power down Ndivider
#####
#optional(ending the script in B0_P0)
w 98 00 00 # page 0
w 98 7f 00 # book 0
#####
    
```

## 9.6 Register Map

See the General I<sup>2</sup>C Operation section for more details on addressing. Register settings should be set based on the files generated from the PPC3 GUI. Because the TAS2557 is a complex system including the internal software, changes made in the TAS2557 registers not known in the PPC3 generated configurations can result in the speaker protection not operating correctly. Changes should be made from within [PurePath™ Console 3 Software TAS2557 Application](#) instead of manually changing registers when possible. Configuration files with needed options can be generated from PPC3 to prevent invalid configurations.

### 9.6.1 Register Map Summary

#### 9.6.1.1 Register Summary Table Book=0x00 Page=0x00

Addr	Register	Description	Section
0x00	PAGE	Page Select	<a href="#">PAGE (book=0x00 page=0x02 address=0x00) [reset=1h]</a>
0x01	RESET	Software Reset	<a href="#">RESET (book=0x00 page=0x00 address=0x01) [reset=0h]</a>
0x04	POWER_1	Power Up 1	<a href="#">POWER_1 (book=0x00 page=0x00 address=0x04) [reset=0h]</a>
0x05	POWER_2	Power Up 2	<a href="#">POWER_2 (book=0x00 page=0x00 address=0x05) [reset=0h]</a>
0x06	SPK_GAIN_EDGE	Class-D Speaker Configuration	<a href="#">SPK_GAIN_EDGE (book=0x00 page=0x00 address=0x06) [reset=0h]</a>
0x07	MUTE	Mute Configuration	<a href="#">MUTE (book=0x00 page=0x00 address=0x07) [reset=0h]</a>
0x08	SNS_CTRL	Sense Channel Control	<a href="#">SNS_CTRL (book=0x00 page=0x00 address=0x08) [reset=0h]</a>
0x09	BOOST_CTRL_1	Boost Control 1	<a href="#">BOOST_CTRL_1 (book=0x00 page=0x00 address=0x09) [reset=0h]</a>
0x14	SAR_CTRL_2	SAR Control 2	<a href="#">SAR_CTRL_2 (book=0x00 page=0x00 address=0x14) [reset=32h]</a>
0x15	SAR_CTRL_3	SAR Control 3	<a href="#">SAR_CTRL_3 (book=0x00 page=0x00 address=0x15) [reset=4h]</a>
0x16	SAR_VBAT_MSB	SAR VBAT Readback	<a href="#">SAR_VBAT_MSB (book=0x00 page=0x00 address=0x16) [reset=0h]</a>
0x17	SAR_VBAT_LSB	SAR VBAT Readback	<a href="#">SAR_VBAT_LSB (book=0x00 page=0x00 address=0x17) [reset=0h]</a>
0x18	SAR_VBST_MSB	SAR VBOOST Readback	<a href="#">SAR_VBST_MSB (book=0x00 page=0x00 address=0x18) [reset=0h]</a>
0x19	SAR_VBST_LSB	SAR VBOOST Readback	<a href="#">SAR_VBST_LSB (book=0x00 page=0x00 address=0x19) [reset=0h]</a>
0x1A	SAR_TMP1_MSB	SAR TEMP1 Readback	<a href="#">SAR_TMP1_MSB (book=0x00 page=0x00 address=0x1A) [reset=0h]</a>

**Register Map (continued)**

0x1B	SAR_TMP1_LSB	SAR TEMP1 Readback	SAR_TMP1_LSB (book=0x00 page=0x00 address=0x1B) [reset=0h]
0x1C	SAR_TMP2_MSB	SAR TEMP2 Readback	SAR_TMP2_MSB (book=0x00 page=0x00 address=0x1C) [reset=0h]
0x1D	SAR_TMP2_LSB	SAR TEMP2 Readback	SAR_TMP2_LSB (book=0x00 page=0x00 address=0x1D) [reset=0h]
0x20	CRC_CHECKSUM	Checksum	CRC_CHECKSUM (book=0x00 page=0x00 address=0x20) [reset=0h]
0x21	CRC_RESET	Checksum Reset	CRC_RESET (book=0x00 page=0x00 address=0x21) [reset=0h]
0x22	DSP_CTRL	DSP Control	DSP_CTRL (book=0x00 page=0x00 address=0x22) [reset=1h]
0x28	SSM_CTRL	Spread-Spectrum Control	SSM_CTRL (book=0x00 page=0x00 address=0x28) [reset=0h]
0x2A	ASI_CTRL_1	ASI Control 1	ASI_CTRL_1 (book=0x00 page=0x00 address=0x2A) [reset=0h]
0x2B	BOOST_CTRL_2	Boost Control 1	BOOST_CTRL_2 (book=0x00 page=0x00 address=0x2B) [reset=3h]
0x2C	CLOCK_CTRL_1	Clock Control 1	CLOCK_CTRL_1 (book=0x00 page=0x00 address=0x2C) [reset=0h]
0x2D	CLOCK_CTRL_2	Clock Control 2	CLOCK_CTRL_2 (book=0x00 page=0x00 address=0x2D) [reset=17h]
0x2E	CLOCK_CTRL_3	Clock Control 3	CLOCK_CTRL_3 (book=0x00 page=0x00 address=0x2E) [reset=0h]
0x2F	ASI_CTRL_2	ASI Control 2	ASI_CTRL_2 (book=0x00 page=0x00 address=0x2F) [reset=0h]
0x32	CLOCK_CTRL_4	Clock Control 4	CLOCK_CTRL_4 (book=0x00 page=0x00 address=0x32) [reset=0h]
0x35	DEBUG_1	Debug Register 1	DEBUG_1 (book=0x00 page=0x00 address=0x35) [reset=0h]
0x64	POWER_STATUS	Power Up Status	POWER_STATUS (book=0x00 page=0x00 address=0x64) [reset=0h]
0x65	DSP_BOOT_STATUS	DSP Boost Status	DSP_BOOT_STATUS (book=0x00 page=0x00 address=0x65) [reset=0h]
0x68	INT_DET_1	Interrupt Detected 1	INT_DET_1 (book=0x00 page=0x00 address=0x68) [reset=0h]
0x6C	INT_DET_2	Interrupt Detected 2	INT_DET_2 (book=0x00 page=0x00 address=0x6C) [reset=0h]
0x79	LOW_POWER	Lower Power Shutdown	LOW_POWER (book=0x00 page=0x00 address=0x79) [reset=0h]
0x7F	BOOK	Book Selection	BOOK (book=0x00 page=0x00 address=0x7F) [reset=0h]

**9.6.1.2 Register Summary Table Book=0x00 Page=0x01**

Addr	Register	Description	Section
0x00	PAGE	Page Select	PAGE (book=0x00 page=0x02 address=0x00) [reset=1h]
0x01	ASI1_FORMAT	ASI1 Format	ASI1_FORMAT (book=0x00 page=0x01 address=0x01) [reset=10h]
0x03	ASI1_OFFSET_1	ASI1 Offset	ASI1_OFFSET_1 (book=0x00 page=0x01 address=0x03) [reset=0h]
0x04	ASI1_OFFSET_2	ASI1 Offset Second Slot	
0x05	ASI1_BUSKEEP	ASI1 Buskeeper	ASI1_BUSKEEP (book=0x00 page=0x01 address=0x05) [reset=0h]
0x08	ASI1_BCLK	ASI1 BCLK	ASI1_BCLK (book=0x00 page=0x01 address=0x08) [reset=0h]
0x09	ASI1_WCLK	ASI1 WCLK	ASI1_WCLK (book=0x00 page=0x01 address=0x09) [reset=8h]
0x0C	ASI1_DIN_DOUT	ASI1 DIN/DOUT	ASI1_DIN_DOUT (book=0x00 page=0x01 address=0x0C) [reset=0h]
0x0D	ASI1_BDIV_CLK	ASI1 BDIV Clock	ASI1_BDIV_CLK (book=0x00 page=0x01 address=0x0D) [reset=1h]
0x0E	ASI1_BDIV_RATIO	ASI1 BDIV Ratio	ASI1_BDIV_RATIO (book=0x00 page=0x01 address=0x0E) [reset=2h]
0x0F	ASI1_WDIV_RATIO	ASI1 WDIV Ratio	ASI1_WDIV_RATIO (book=0x00 page=0x01 address=0x0F) [reset=20h]



0x10	ASI1_CLK_OUT	ASI1 Clock Source	ASI1_CLK_OUT (book=0x00 page=0x01 address=0x10) [reset=0h]
0x15	ASI2_FORMAT	ASI2 Format	ASI2_FORMAT (book=0x00 page=0x01 address=0x15) [reset=10h]
0x17	ASI2_OFFSET_1	ASI2 Offset	ASI2_OFFSET_1 (book=0x00 page=0x01 address=0x17) [reset=0h]
0x18	ASI2_OFFSET_2	ASI2 Offset Second Slot	
0x19	ASI2_BUSKEEP	ASI2 Buskeeper	ASI2_BUSKEEP (book=0x00 page=0x01 address=0x19) [reset=0h]
0x1C	ASI2_BCLK	ASI2 BCLK	ASI2_BCLK (book=0x00 page=0x01 address=0x1C) [reset=20h]
0x1D	ASI2_WCLK	ASI2 WCLK	ASI2_WCLK (book=0x00 page=0x01 address=0x1D) [reset=28h]
0x20	ASI2_DIN_DOUT	ASI2 DIN/DOUT	ASI2_DIN_DOUT (book=0x00 page=0x01 address=0x20) [reset=38h]
0x21	ASI2_BDIV_CLK	ASI2 BDIV Clock	ASI2_BDIV_CLK (book=0x00 page=0x01 address=0x21) [reset=1h]
0x22	ASI2_BDIV_RATIO	ASI2 BDIV Ratio	ASI2_BDIV_RATIO (book=0x00 page=0x01 address=0x22) [reset=2h]
0x23	ASI2_WDIV_RATIO	ASI2 WDIV Ratio	ASI2_WDIV_RATIO (book=0x00 page=0x01 address=0x23) [reset=20h]
0x24	ASI2_CLK_OUT	ASI2 Clock Source	ASI2_CLK_OUT (book=0x00 page=0x01 address=0x24) [reset=33h]
0x3D	GPIO1_PIN	GPIO1	GPIO1_PIN (book=0x00 page=0x01 address=0x3D) [reset=1h]
0x3E	GPIO2_PIN	GPIO2	GPIO2_PIN (book=0x00 page=0x01 address=0x3E) [reset=1h]
0x3F	GPIO3_PIN	GPIO3	GPIO3_PIN (book=0x00 page=0x01 address=0x3F) [reset=10h]
0x40	GPIO4_PIN	GPIO4	GPIO4_PIN (book=0x00 page=0x01 address=0x40) [reset=7h]
0x41	GPIO5_PIN	GPIO5	GPIO5_PIN (book=0x00 page=0x01 address=0x41) [reset=0h]
0x42	GPIO6_PIN	GPIO6	GPIO6_PIN (book=0x00 page=0x01 address=0x42) [reset=0h]
0x43	GPIO7_PIN	GPIO7	GPIO7_PIN (book=0x00 page=0x01 address=0x43) [reset=0h]
0x44	GPIO8_PIN	GPIO8	GPIO8_PIN (book=0x00 page=0x01 address=0x44) [reset=0h]
0x45	GPIO9_PIN	GPIO9	GPIO9_PIN (book=0x00 page=0x01 address=0x45) [reset=0h]
0x46	GPIO10_PIN	GPIO10	GPIO10_PIN (book=0x00 page=0x01 address=0x46) [reset=0h]
0x4D	GPI_PIN	GPI Pin Mode	GPI_PIN (book=0x00 page=0x01 address=0x4D) [reset=0h]
0x4F	GPIO_HIZ_1	GPIO HiZ 1	GPIO_HIZ_1 (book=0x00 page=0x01 address=0x4F) [reset=0h]
0x50	GPIO_HIZ_2	GPIO HiZ 2	GPIO_HIZ_2 (book=0x00 page=0x01 address=0x50) [reset=0h]
0x51	GPIO_HIZ_3	GPIO HiZ 3	GPIO_HIZ_3 (book=0x00 page=0x01 address=0x51) [reset=0h]
0x52	GPIO_HIZ_4	GPIO HiZ 4	GPIO_HIZ_4 (book=0x00 page=0x01 address=0x52) [reset=0h]
0x53	GPIO_HIZ_5	GPIO HiZ 5	GPIO_HIZ_5 (book=0x00 page=0x01 address=0x53) [reset=0h]
0x58	BIT_BANG_OUT1	Bit Bang Output 1	BIT_BANG_OUT1 (book=0x00 page=0x01 address=0x58) [reset=0h]
0x59	BIT_BANG_OUT2	Bit Bang Output 2	BIT_BANG_OUT2 (book=0x00 page=0x01 address=0x59) [reset=0h]
0x5A	BIT_BANG_IN1	Bit Bang Input 1	BIT_BANG_IN1 (book=0x00 page=0x01 address=0x5A) [reset=0h]
0x5B	BIT_BANG_IN2	Bit Bang Input 2	BIT_BANG_IN2 (book=0x00 page=0x01 address=0x5B) [reset=0h]
0x5C	BIT_BANG_IN3	Bit Bang Input 3	BIT_BANG_IN3 (book=0x00 page=0x01 address=0x5C) [reset=0h]
0x60	ASIM_BUSKEEP	ASIM Buskeeper	ASIM_BUSKEEP (book=0x00 page=0x01 address=0x60) [reset=0h]
0x61	ASIM_MODE	ASIM Mode	ASIM_MODE (book=0x00 page=0x01 address=0x61) [reset=8h]
0x62	ASIM_NUM_DEV	ASIM Number Devices	ASIM_NUM_DEV (book=0x00 page=0x01 address=0x62) [reset=0h]

0x63	ASIM_FORMAT	ASIM Format	ASIM_FORMAT (book=0x00 page=0x01 address=0x63) [reset=10h]
0x64	ASIM_BDIV_CLK	ASIM BDIV Clock	ASIM_BDIV_CLK (book=0x00 page=0x01 address=0x64) [reset=1h]
0x65	ASIM_BDIV_RATIO	ASIM BDIV Ratio	ASIM_BDIV_RATIO (book=0x00 page=0x01 address=0x65) [reset=2h]
0x66	ASIM_WDIV_RATIO_1	ASIM WDIV Ratio	ASIM_WDIV_RATIO_1 (book=0x00 page=0x01 address=0x66) [reset=0h]
0x67	ASIM_WDIV_RATIO_2	ASIM WDIV Ratio	ASIM_WDIV_RATIO_2 (book=0x00 page=0x01 address=0x67) [reset=20h]
0x68	ASIM_BCLK	ASI1 BCLK	ASIM_BCLK (book=0x00 page=0x01 address=0x68) [reset=40h]
0x69	ASIM_WCLK	ASI1 WCLK	ASIM_WCLK (book=0x00 page=0x01 address=0x69) [reset=38h]
0x6A	ASIM_DIN	ASI1 DIN	ASIM_DIN (book=0x00 page=0x01 address=0x6A) [reset=70h]
0x6C	INT_GEN_1	Interrupt Generation 1	INT_GEN_1 (book=0x00 page=0x01 address=0x6C) [reset=0h]
0x6D	INT_GEN_2	Interrupt Generation 2	INT_GEN_2 (book=0x00 page=0x01 address=0x6D) [reset=0h]
0x6E	INT_GEN_3	Interrupt Generation 3	INT_GEN_3 (book=0x00 page=0x01 address=0x6E) [reset=0h]
0x6F	INT_GEN_4	Interrupt Generation 4	INT_GEN_4 (book=0x00 page=0x01 address=0x6F) [reset=0h]
0x70	INT_GEN_5	Interrupt Generation 5	INT_GEN_5 (book=0x00 page=0x01 address=0x70) [reset=0h]
0x71	INT_GEN_6	Interrupt Generation 6	INT_GEN_6 (book=0x00 page=0x01 address=0x71) [reset=0h]
0x72	INT_IND_MODE	Interrupt Indication Mode	INT_IND_MODE (book=0x00 page=0x01 address=0x72) [reset=0h]
0x73	MAIN_CLK_PIN	Main Clock Source	MAIN_CLK_PIN (book=0x00 page=0x01 address=0x73) [reset=Dh]
0x74	PLL_CLK_PIN	PLL Clock Source	PLL_CLK_PIN (book=0x00 page=0x01 address=0x74) [reset=Dh]
0x75	CLKOUT_MUX	CDIV_CLKIN Clock Source	CLKOUT_MUX (book=0x00 page=0x01 address=0x75) [reset=Dh]
0x76	CLKOUT_CDIV_RATIO	CLKOUT CDIV Ratio	CLKOUT_CDIV_RATIO (book=0x00 page=0x01 address=0x76) [reset=1h]
0x7C	I2C_MISC	I2C Misc	I2C_MISC (book=0x00 page=0x01 address=0x7C) [reset=0h]
0x7D	DEVICE_ID	Device ID	DEVICE_ID (book=0x00 page=0x01 address=0x7D) [reset=12h]

### 9.6.1.3 Register Summary Table Book=0x00 Page=0x02

Addr	Register	Description	Section
0x00	PAGE	Page Select	PAGE (book=0x00 page=0x02 address=0x00) [reset=1h]
0x06	RAMP_CTRL	Class-D Ramp Control	RAMP_CTRL (book=0x00 page=0x02 address=0x06) [reset=0h]
0x09	PROTECTION_CFG	Configures the Devices Protection Blocks	PROTECTION_CFG (book=0x00 page=0x02 address=0x09) [reset=3h]

## 9.6.2 Register Maps

### 9.6.2.1 PAGE (book=0x00 page=0x00 address=0x00) [reset=0h]

Selects the page for the next read or write.

**Figure 43. PAGE Register Address: 0x00**

7	6	5	4	3	2	1	0
PAGE[7:0]							
RW-0h							

LEGEND: R/W = Read/Write; R = Read only; -n = value after reset

**Table 23. Page Select Field Descriptions**

Bit	Field	Type	Reset	Description
7-0	PAGE[7:0]	RW	0h	Selects the Register Page for the next read or write command

**9.6.2.2 RESET (book=0x00 page=0x00 address=0x01) [reset=0h]**

Controls the software reset

**Figure 44. RESET Register Address: 0x01**

7	6	5	4	3	2	1	0
Reserved							RESET
R-0h							RW-0h

LEGEND: R/W = Read/Write; R = Read only; -n = value after reset

**Table 24. Software Reset Field Descriptions**

Bit	Field	Type	Reset	Description
7-1	Reserved	R	0h	Reserved
0	RESET	RW	0h	0 = Don't care 1 = Self clearing software reset

**9.6.2.3 POWER\_1 (book=0x00 page=0x00 address=0x04) [reset=0h]**

This register controls device power up

**Figure 45. POWER\_1 Register Address: 0x04**

7	6	5	4	3	2	1	0
PWR_DSP	PWR_PLL	PWR_NDIV	PWR_MDAC	PWR_MADC	Reserved	Reserved	PWR_ERR
RW-0h	RW-0h	RW-0h	RW-0h	RW-0h	RW-0h	RW-0h	RW-0h

LEGEND: R/W = Read/Write; R = Read only; -n = value after reset

**Table 25. Power Up 1 Field Descriptions**

Bit	Field	Type	Reset	Description
7	PWR_DSP	RW	0h	DSP is 0 = Powered-down 1 = Powered-up
6	PWR_PLL	RW	0h	PLL is 0 = Powered-down 1 = Powered-up
5	PWR_NDIV	RW	0h	NDIV is 0 = Powered-down 1 = Powered-up
4	PWR_MDAC	RW	0h	MDAC is 0 = Powered-down 1 = Powered-up
3	PWR_MADC	RW	0h	MADC is 0 = Powered-down 1 = Powered-up
2	Reserved	RW	0h	Reserved
1	Reserved	RW	0h	Reserved
0	PWR_ERR	RW	0h	Reports when a VBAT brownout or clock halt condition was detected. When this is detected several internal blocks are powered down. This register must be cleared first before re-power device. Reason for error is indicated in interrupt register. 0 = No error condition 1 = Error condition detected

**9.6.2.4 POWER\_2 (book=0x00 page=0x00 address=0x05) [reset=0h]**

This register controls device power up

**Figure 46. POWER\_2 Register Address: 0x05**

7	6	5	4	3	2	1	0
PWR_SPK	Reserved	PWR_BOOST	Reserved			PWR_ISNS	PWR_VSNS
RW-0h	RW-0h	RW-0h	RW-0h			RW-0h	RW-0h

LEGEND: R/W = Read/Write; R = Read only; -n = value after reset

**Table 26. Power Up 2 Field Descriptions**

Bit	Field	Type	Reset	Description
7	PWR_SPK	RW	0h	Class-D output is 0 = Powered-down 1 = Powered-up
6	Reserved	RW	0h	Reserved
5	PWR_BOOST	RW	0h	Boost is 0 = Powered-down 1 = Powered-up
4-2	Reserved	RW	0h	Reserved
1	PWR_ISNS	RW	0h	Current-sense ADC is 0 = Powered-down 1 = Powered-up
0	PWR_VSNS	RW	0h	Voltage-sense ADC is 0 = Powered-down 1 = Powered-up

**9.6.2.5 SPK\_GAIN\_EDGE (book=0x00 page=0x00 address=0x06) [reset=0h]**

This register controls the DAC gain and edge rate control.

**Figure 47. SPK\_GAIN\_EDGE Register Address: 0x06**

7	6	5	4	3	2	1	0
Reserved	DAC_GAIN[3:0]				EDGE_RATE[2:0]		
RW-0h	RW-0h				RW-0h		

LEGEND: R/W = Read/Write; R = Read only; -n = value after reset

**Table 27. Class-D Speaker Configuration Field Descriptions**

Bit	Field	Type	Reset	Description
7	Reserved	RW	0h	Reserved
6-3	DAC_GAIN[3:0]	RW	0h	DAC gain is 0 = 0db 1 = 1db 2 = 2db ... 14 = 14db 15 = 15db
2-0	EDGE_RATE[2:0]	RW	0h	Class-D output edge rate control is 0 = 50ns 1 = 40ns 2 = 29ns 3 = 25ns 4 = 14ns 5 = 13ns 6 = 12ns 7 = 11ns

**9.6.2.6 MUTE (book=0x00 page=0x00 address=0x07) [reset=0h]**

This register controls muting of various system blocks.

**Figure 48. MUTE Register Address: 0x07**

7	6	5	4	3	2	1	0
Reserved	Reserved	Reserved	Reserved		Reserved	MUTE_ISNS	MUTE_VSNS
RW-0h	RW-0h	RW-0h	RW-0h		RW-0h	RW-0h	RW-0h

LEGEND: R/W = Read/Write; R = Read only; -n = value after reset

**Table 28. Mute Configuration Field Descriptions**

Bit	Field	Type	Reset	Description
7	Reserved	RW	0h	Reserved
6	Reserved	RW	0h	Reserved
5	Reserved	RW	0h	Reserved
4-3	Reserved	RW	0h	Reserved
2	Reserved	RW	0h	Reserved
1	MUTE_ISNS	RW	0h	Current-sense is 0 = Unmuted 1 = Muted
0	MUTE_VSNS	RW	0h	Voltage-sense is 0 = Unmuted 1 = Muted

**9.6.2.7 SNS\_CTRL (book=0x00 page=0x00 address=0x08) [reset=0h]**

This register controls the full scale values of current and voltage sense channels.

**Figure 49. SNS\_CTRL Register Address: 0x08**

7	6	5	4	3	2	1	0
Reserved		Reserved		Reserved	ISNS_SCALE[1:0]		Reserved
RW-0h		RW-0h		RW-0h	RW-0h		RW-0h

LEGEND: R/W = Read/Write; R = Read only; -n = value after reset

**Table 29. Sense Channel Control Field Descriptions**

Bit	Field	Type	Reset	Description
7-6	Reserved	RW	0h	Reserved
5-4	Reserved	RW	0h	Reserved
3	Reserved	RW	0h	Reserved
2-1	ISNS_SCALE[1:0]	RW	0h	Sets the current and voltage sense input range for various speaker loads. Select the value closest to the nominal load. 0 = 8 ohm load, i-sense full-scale: 1.25A 1 = 6 ohm load, i-sense full-scale: 1.5A 2 = 4 ohm load, i-sense full-scale: 1.75A
0	Reserved	RW	0h	Reserved

**9.6.2.8 BOOST\_CTRL\_1 (book=0x00 page=0x00 address=0x09) [reset=0h]**

This register controls the boost operation.

**Figure 50. BOOST\_CTRL\_1 Register Address: 0x09**

7	6	5	4	3	2	1	0
Reserved		Reserved		Reserved		Reserved	BST_MODE
RW-0h		RW-0h		RW-0h		RW-0h	RW-0h

LEGEND: R/W = Read/Write; R = Read only; -n = value after reset

**Table 30. Boost Control 1 Field Descriptions**

Bit	Field	Type	Reset	Description
7-6	Reserved	RW	0h	Reserved
5-4	Reserved	RW	0h	Reserved
3-2	Reserved	RW	0h	Reserved
1	Reserved	RW	0h	Reserved
0	BST_MODE	RW	0h	Controls the boost operation mode. 0 = Class-H operation using multi-levels. 1 = Class-G operation using one level turned on and off as needed.

**9.6.2.9 SAR\_CTRL\_2 (book=0x00 page=0x00 address=0x14) [reset=32h]**

This register controls the SAR ADC repeat interval, readback register halt, mode, and power state.

**Figure 51. SAR\_CTRL\_2 Register Address: 0x14**

7	6	5	4	3	2	1	0
Reserved	SAR_RPT[2:0]			SAR_RBH	SAR_MODE[1:0]		SAR_PWR
RW-0h	RW-3h			RW-0h	RW-1h		RW-0h

LEGEND: R/W = Read/Write; R = Read only; -n = value after reset

**Table 31. SAR Control 2 Field Descriptions**

Bit	Field	Type	Reset	Description
7	Reserved	RW	0h	Reserved
6-4	SAR_RPT[2:0]	RW	3h	The SAR ADC repeat interval is 0 = 0 us 1 = 50 us 2 = 250 us 3 = 1 ms 4 = 5 ms 5 = 25 ms 6 = 100 ms 7 = 1 s
3	SAR_RBH	RW	0h	Updates to SAR readback registers halt. The readback registers should be halted while read to avoid data corruptions issues from new SAR conversions. 0 = SAR updates readback registers 1 = SAR updates halted
2-1	SAR_MODE[1:0]	RW	1h	Configures the SAR ADC mode of operation 0 = One-shot mode 1 = Repeated scan mode 2 = DSP triggered mode 3 = Reserved
0	SAR_PWR	RW	0h	SAR ADC is 0 = Powered-down 1 = Powered-up

**9.6.2.10 SAR\_CTRL\_3 (book=0x00 page=0x00 address=0x15) [reset=4h]**

This register controls the SAR ADC inputs.

**Figure 52. SAR\_CTRL\_3 Register Address: 0x15**

7	6	5	4	3	2	1	0
Reserved				Reserved	SAR_INVBT	SAR_INVBO	SAR_INTMP
RW-0h				RW-0h	RW-1h	RW-0h	RW-0h

LEGEND: R/W = Read/Write; R = Read only; -n = value after reset

**Table 32. SAR Control 3 Field Descriptions**

Bit	Field	Type	Reset	Description
7-4	Reserved	RW	0h	Reserved
3	Reserved	RW	0h	Reserved
2	SAR_INVBT	RW	1h	SAR VBAT measurement is 0 = disabled 1 = enabled
1	SAR_INVBO	RW	0h	SAR VBOOST measurement is 0 = disabled 1 = enabled
0	SAR_INTMP	RW	0h	SAR temperature measurement is 0 = disabled 1 = enabled

**9.6.2.11 SAR\_VBAT\_MSB (book=0x00 page=0x00 address=0x16) [reset=0h]**

This register contains the VBAT measurement.

**Figure 53. SAR\_VBAT\_MSB Register Address: 0x16**

7	6	5	4	3	2	1	0
SR_VBAT[9:2]							
R-0h							

LEGEND: R/W = Read/Write; R = Read only; -n = value after reset

**Table 33. SAR VBAT Readback Field Descriptions**

Bit	Field	Type	Reset	Description
7--2	SR_VBAT[9:0]	R	0h	VBAT Measured data by SAR ADC[9:2]

**9.6.2.12 SAR\_VBAT\_LSB (book=0x00 page=0x00 address=0x17) [reset=0h]**

This register contains the VBAT measurement.

**Figure 54. SAR\_VBAT\_LSB Register Address: 0x17**

7	6	5	4	3	2	1	0
SR_VBAT[1:0]		Reserved					
R-0h		R-0h					

LEGEND: R/W = Read/Write; R = Read only; -n = value after reset

**Table 34. SAR VBAT Readback Field Descriptions**

Bit	Field	Type	Reset	Description
7-6	SR_VBAT[1:0]	R	0h	VBAT Measured data by SAR ADC[1:0]
5-0	Reserved	R	0h	Reserved

**9.6.2.13 SAR\_VBST\_MSB (book=0x00 page=0x00 address=0x18) [reset=0h]**

This register contains the VBOOST measurement.

**Figure 55. SAR\_VBST\_MSB Register Address: 0x18**

7	6	5	4	3	2	1	0
SR_VBST[9:2]							
R-0h							

LEGEND: R/W = Read/Write; R = Read only; -n = value after reset

**Table 35. SAR VBOOST Readback Field Descriptions**

Bit	Field	Type	Reset	Description
7--2	SR_VBST[9:0]	R	0h	VBOOST Measured data by SAR ADC[9:2]

**9.6.2.14 SAR\_VBST\_LSB (book=0x00 page=0x00 address=0x19) [reset=0h]**

This register contains the VBOOST measurement.

**Figure 56. SAR\_VBST\_LSB Register Address: 0x19**

7	6	5	4	3	2	1	0
SR_VBST[1:0]		Reserved					
R-0h		R-0h					

LEGEND: R/W = Read/Write; R = Read only; -n = value after reset

**Table 36. SAR VBOOST Readback Field Descriptions**

Bit	Field	Type	Reset	Description
7-6	SR_VBST[1:0]	R	0h	VBOOST Measured data by SAR ADC[1:0]
5-0	Reserved	R	0h	Reserved

**9.6.2.15 SAR\_TMP1\_MSB (book=0x00 page=0x00 address=0x1A) [reset=0h]**

This register contains the TEMP1 measurement.

**Figure 57. SAR\_TMP1\_MSB Register Address: 0x1A**

7	6	5	4	3	2	1	0
SR_TMP1[9:2]							
R-0h							

LEGEND: R/W = Read/Write; R = Read only; -n = value after reset

**Table 37. SAR TEMP1 Readback Field Descriptions**

Bit	Field	Type	Reset	Description
7--2	SR_TMP1[9:0]	R	0h	TEMP1 Measured data by SAR ADC[9:2]

**9.6.2.16 SAR\_TMP1\_LSB (book=0x00 page=0x00 address=0x1B) [reset=0h]**

This register contains the TEMP1 measurement.

**Figure 58. SAR\_TMP1\_LSB Register Address: 0x1B**

7	6	5	4	3	2	1	0
SR_TMP1[1:0]		Reserved					
R-0h		R-0h					

LEGEND: R/W = Read/Write; R = Read only; -n = value after reset

**Table 38. SAR TEMP1 Readback Field Descriptions**

Bit	Field	Type	Reset	Description
7-6	SR_TMP1[1:0]	R	0h	TEMP1 Measured data by SAR ADC[1:0]
5-0	Reserved	R	0h	Reserved

**9.6.2.17 SAR\_TMP2\_MSB (book=0x00 page=0x00 address=0x1C) [reset=0h]**

This register contains the TEMP2 measurement.



**Figure 59. SAR\_TMP2\_MSB Register Address: 0x1C**

7	6	5	4	3	2	1	0
SR_TMP2[9:2]							
R-0h							

LEGEND: R/W = Read/Write; R = Read only; -n = value after reset

**Table 39. SAR TEMP2 Readback Field Descriptions**

Bit	Field	Type	Reset	Description
7--2	SR_TMP2[9:0]	R	0h	TEMP2 Measured data by SAR ADC[9:2]

#### 9.6.2.18 SAR\_TMP2\_LSB (book=0x00 page=0x00 address=0x1D) [reset=0h]

This register contains the TEMP2 measurement.

**Figure 60. SAR\_TMP2\_LSB Register Address: 0x1D**

7	6	5	4	3	2	1	0
SR_TMP2[1:0]		Reserved					
R-0h		R-0h					

LEGEND: R/W = Read/Write; R = Read only; -n = value after reset

**Table 40. SAR TEMP2 Readback Field Descriptions**

Bit	Field	Type	Reset	Description
7-6	SR_TMP2[1:0]	R	0h	TEMP2 Measured data by SAR ADC[1:0]
5-0	Reserved	R	0h	Reserved

#### 9.6.2.19 CRC\_CHECKSUM (book=0x00 page=0x00 address=0x20) [reset=0h]

Hold the running CRC8 checksum of I2C transactions

**Figure 61. CRC\_CHECKSUM Register Address: 0x20**

7	6	5	4	3	2	1	0
CRC_VAL[7:0]							
R-0h							

LEGEND: R/W = Read/Write; R = Read only; -n = value after reset

**Table 41. Checksum Field Descriptions**

Bit	Field	Type	Reset	Description
7-0	CRC_VAL[7:0]	R	0h	Current CRC value of all I2C transactions

#### 9.6.2.20 CRC\_RESET (book=0x00 page=0x00 address=0x21) [reset=0h]

This register is used to reset the CRC checksum.

**Figure 62. CRC\_RESET Register Address: 0x21**

7	6	5	4	3	2	1	0
Reserved							CRC_RST
RW-0h							RW-0h

LEGEND: R/W = Read/Write; R = Read only; -n = value after reset

**Table 42. Checksum Reset Field Descriptions**

Bit	Field	Type	Reset	Description
7-1	Reserved	RW	0h	Reserved
0	CRC_RST	RW	0h	This self clearing bit is used to reset the CRC checksum. This is recommended to be done before PRAM code download. After download the checksum value can be read to confirm download process had any errors or was successful. 0 = normal CRC operation 1 = reset CRC and clear

**9.6.2.21 DSP\_CTRL (book=0x00 page=0x00 address=0x22) [reset=1h]**

This controls the booting mode of the DSP

**Figure 63. DSP\_CTRL Register Address: 0x22**

7	6	5	4	3	2	1	0
Reserved		Reserved	Reserved	DSP_MODE[3:0]			
RW-0h		RW-0h	RW-0h	RW-1h			

LEGEND: R/W = Read/Write; R = Read only; -n = value after reset

**Table 43. DSP Control Field Descriptions**

Bit	Field	Type	Reset	Description
7-6	Reserved	RW	0h	Reserved
5	Reserved	RW	0h	Reserved
4	Reserved	RW	0h	Reserved
3-0	DSP_MODE[3:0]	RW	1h	DSP boot in mode 0 = Reserved 1 = PCM input playback only 2 = PCM input playback and IV-sense output 3 = Smart Amp 4 = Smart Amp w/ voice on ASI2 5-15 = Reserved

**9.6.2.22 SSM\_CTRL (book=0x00 page=0x00 address=0x28) [reset=0h]**

This enables spread-spectrum mode.

**Figure 64. SSM\_CTRL Register Address: 0x28**

7	6	5	4	3	2	1	0
Reserved							SSM_EN
RW-0h							RW-0h

LEGEND: R/W = Read/Write; R = Read only; -n = value after reset

**Table 44. Spread-Spectrum Control Field Descriptions**

Bit	Field	Type	Reset	Description
7-1	Reserved	RW	0h	Reserved
0	SSM_EN	RW	0h	Enables spread-spectrum mode of the modulator. Ramp clock must be using internal clock not sync mode. This is set in B100_P0_R40 0 = disabled 1 = enabled

**9.6.2.23 ASI\_CTRL\_1 (book=0x00 page=0x00 address=0x2A) [reset=0h]**

This register configures the ASI stereo input modes and soft stepping for mute.

**Figure 65. ASI\_CTRL\_1 Register Address: 0x2A**

7	6	5	4	3	2	1	0
Reserved			ASI2_CH[1:0]		ASI1_CH[1:0]		MUTE_SS
RW-0h			RW-0h		RW-0h		RW-0h

LEGEND: R/W = Read/Write; R = Read only; -n = value after reset

**Table 45. ASI Control 1 Field Descriptions**

Bit	Field	Type	Reset	Description
7-5	Reserved	RW	0h	Reserved
4-3	ASI2_CH[1:0]	RW	0h	Configures the ASI2 input to use 0 = left channel 1 = right channel 2 = (left + right) / 2 3 = monoPCM
2-1	ASI1_CH[1:0]	RW	0h	Configures the ASI1 input to use 0 = left channel 1 = right channel 2 = (left + right) / 2 3 = monoPCM
0	MUTE_SS	RW	0h	When muting and un-muting the channel the audio playback is soft stepped. 0 = enable 1 = disable

#### 9.6.2.24 BOOST\_CTRL\_2 (book=0x00 page=0x00 address=0x2B) [reset=3h]

This register controls the boost operation.

**Figure 66. BOOST\_CTRL\_2 Register Address: 0x2B**

7	6	5	4	3	2	1	0
Reserved				Reserved	Reserved	BST_ILIM[1:0]	
RW-0h				RW-0h	RW-0h	RW-3h	

LEGEND: R/W = Read/Write; R = Read only; -n = value after reset

**Table 46. Boost Control 1 Field Descriptions**

Bit	Field	Type	Reset	Description
7-4	Reserved	RW	0h	Reserved
3	Reserved	RW	0h	Reserved
2	Reserved	RW	0h	Reserved
1-0	BST_ILIM[1:0]	RW	3h	Boost current limit 0 = 1.5A 1 = 2.0A 2 = 2.5A 3 = 3.0A

#### 9.6.2.25 CLOCK\_CTRL\_1 (book=0x00 page=0x00 address=0x2C) [reset=0h]

Configures the clock error detection handling

**Figure 67. CLOCK\_CTRL\_1 Register Address: 0x2C**

7	6	5	4	3	2	1	0
DSP_RSTM	Reserved	CE1_SM	CE1_IC	CE2_IC[1:0]		CE1_EN	CE2_EN
RW-0h	RW-0h	RW-0h	RW-0h	RW-0h		RW-0h	RW-0h

LEGEND: R/W = Read/Write; R = Read only; -n = value after reset

**Table 47. Clock Control 1 Field Descriptions**

Bit	Field	Type	Reset	Description
7	DSP_RSTM	RW	0h	0 = Reserved
6	Reserved	RW	0h	Reserved
5	CE1_SM	RW	0h	When clock error1 is detected do soft mute using 0 = hardware mute sequence 1 = DSP mute sequence
4	CE1_IC	RW	0h	Clock error detection block 1 input clock is 0 = ASI1 1 = ASI2
3-2	CE2_IC[1:0]	RW	0h	Clock error detection block 2 input clock is 0 = DAC modulator clock 1 = ADC modulator clock 2 = PLL clock 3 = reserved
1	CE1_EN	RW	0h	Clock error detection block 1 is 0 = disabled 1 = enabled
0	CE2_EN	RW	0h	Clock error detection block 2 is 0 = disabled 1 = enabled

**9.6.2.26 CLOCK\_CTRL\_2 (book=0x00 page=0x00 address=0x2D) [reset=17h]**

Configures the clock error detection timeouts

**Figure 68. CLOCK\_CTRL\_2 Register Address: 0x2D**

7	6	5	4	3	2	1	0
Reserved	Reserved	Reserved			CE1_STO[2:0]		
RW-0h	RW-0h	RW-2h			RW-7h		

LEGEND: R/W = Read/Write; R = Read only; -n = value after reset

**Table 48. Clock Control 2 Field Descriptions**

Bit	Field	Type	Reset	Description
7	Reserved	RW	0h	Reserved
6	Reserved	RW	0h	Reserved
5-3	Reserved	RW	2h	Reserved
2-0	CE1_STO[2:0]	RW	7h	Clock error detection block 1 will shutdown the device and set signal PWR_ERR if a clock input does not occur for 0 = 2.73 ms 1 = 22 ms 2 = 44 ms 3 = 87ms 4 = 174 ms 5 = 350 ms 6 = 700 ms 7 = 1.4s

**9.6.2.27 CLOCK\_CTRL\_3 (book=0x00 page=0x00 address=0x2E) [reset=0h]**

Configures the clock error detection timeouts

**Figure 69. CLOCK\_CTRL\_3 Register Address: 0x2E**

7	6	5	4	3	2	1	0
CE2_DRR[1:0]		Reserved			CE2_STO[2:0]		
RW-0h		RW-0h			RW-0h		

LEGEND: R/W = Read/Write; R = Read only; -n = value after reset

**Table 49. Clock Control 3 Field Descriptions**

Bit	Field	Type	Reset	Description
7-6	CE2_DRR[1:0]	RW	0h	For clock error detection block 2 gain ramp-down for DAC channel is 0 = 15 us per dB 1 = 30 us per dB 2 = 60 us per dB 3 = 120 us per dB
5-3	Reserved	RW	0h	Reserved
2-0	CE2_STO[2:0]	RW	0h	Clock error detection block 2 will shutdown the device and set signal PWR_ERR if a clock input does not occur for 0 = 2.73 ms 1 = 22 ms 2 = 44 ms 3 = 87ms 4 = 174 ms 5 = 350 ms 6 = 700 ms 7 = 1.4s

**9.6.2.28 ASI\_CTRL\_2 (book=0x00 page=0x00 address=0x2F) [reset=0h]**

This register sets the PCM sampling rate.

**Figure 70. ASI\_CTRL\_2 Register Address: 0x2F**

7	6	5	4	3	2	1	0
Reserved					Reserved	ASI_SR[1:0]	
RW-0h					RW-0h	RW-0h	

LEGEND: R/W = Read/Write; R = Read only; -n = value after reset

**Table 50. ASI Control 2 Field Descriptions**

Bit	Field	Type	Reset	Description
7-3	Reserved	RW	0h	Reserved
2	Reserved	RW	0h	Reserved
1-0	ASI_SR[1:0]	RW	0h	Sets the sampling rate of the ASI input data in PCM mode to 0 = 8kHz 1 = 16kHz 2 = 48 kHz 3 = 96kHz

**9.6.2.29 CLOCK\_CTRL\_4 (book=0x00 page=0x00 address=0x32) [reset=0h]**

Configures the clock error detection recovery

**Figure 71. CLOCK\_CTRL\_4 Register Address: 0x32**

7	6	5	4	3	2	1	0
Reserved						CE2_RM	CE1_RM
RW-0h						RW-0h	RW-0h

LEGEND: R/W = Read/Write; R = Read only; -n = value after reset

**Table 51. Clock Control 4 Field Descriptions**

Bit	Field	Type	Reset	Description
7-2	Reserved	RW	0h	Reserved
1	CE2_RM	RW	0h	Device automatic recovery when clock error occurs on clock error block 2 0 = enabled 1 = disabled

**Table 51. Clock Control 4 Field Descriptions (continued)**

Bit	Field	Type	Reset	Description
0	CE1_RM	RW	0h	Device automatic recovery when clock error occurs on clock error block 1 0 = enabled 1 = disabled

**9.6.2.30 DEBUG\_1 (book=0x00 page=0x00 address=0x35) [reset=0h]**

Debug Register 1

**Figure 72. DEBUG\_1 Register Address: 0x35**

7	6	5	4	3	2	1	0
Reserved					DPU_FRC	TM_I2V	INTG1_EN
RW-0h					RW-0h	RW-0h	RW-0h

LEGEND: R/W = Read/Write; R = Read only; -n = value after reset

**Table 52. Debug Register 1 Field Descriptions**

Bit	Field	Type	Reset	Description
7-3	Reserved	RW	0h	Reserved
2	DPU_FRC	RW	0h	0 = don't force power down of dummy power up 1 = force power down of dummy power up (use this if dummy power up scheme is going to a hang state)
1	TM_I2V	RW	0h	cont_tm_i2v_startup_en
0	INTG1_EN	RW	0h	enz_intg1_clamping

**9.6.2.31 POWER\_STATUS (book=0x00 page=0x00 address=0x64) [reset=0h]**

This reports the blocks power state

**Figure 73. POWER\_STATUS Register Address: 0x64**

7	6	5	4	3	2	1	0
PUS_DAC	PUS_SPK	PUS_BST	PUS_BPT	PUS_ISNS	PUS_VSNS	Reserved	
R-0h	R-0h	R-0h	R-0h	R-0h	R-0h	RW-0h	

LEGEND: R/W = Read/Write; R = Read only; -n = value after reset

**Table 53. Power Up Status Field Descriptions**

Bit	Field	Type	Reset	Description
7	PUS_DAC	R	0h	DAC is 0 = powered down 1 = powered up
6	PUS_SPK	R	0h	Class-D output is 0 = powered down 1 = powered up
5	PUS_BST	R	0h	Boost is 0 = powered down 1 = powered up
4	PUS_BPT	R	0h	Boost pass-thru is 0 = disabled 1 = enabled
3	PUS_ISNS	R	0h	Current-sense ADC is 0 = powered down 1 = powered up
2	PUS_VSNS	R	0h	Voltage-sense ADC is 0 = powered down 1 = powered up
1-0	Reserved	RW	0h	Reserved

**9.6.2.32 DSP\_BOOT\_STATUS (book=0x00 page=0x00 address=0x65) [reset=0h]**

Reports the status of the DSP booting.

**Figure 74. DSP\_BOOT\_STATUS Register Address: 0x65**

7	6	5	4	3	2	1	0
Reserved		Reserved		DSP_BS			
R-0h		R-0h		R-0h			

LEGEND: R/W = Read/Write; R = Read only; -n = value after reset

**Table 54. DSP Boost Status Field Descriptions**

Bit	Field	Type	Reset	Description
7-3	Reserved	R	0h	Reserved
2	DSP_BS	R	0h	The DSP booting is 0 = completed; Host can write coefficient memories 0 = in progress ; Host cannot write coefficient memories
1-0	Reserved	R	0h	Reserved

**9.6.2.33 INT\_DET\_1 (book=0x00 page=0x00 address=0x68) [reset=0h]**

Sticky register used to indicate the source of an interrupt trigger. Register is cleared once read.

**Figure 75. INT\_DET\_1 Register Address: 0x68**

7	6	5	4	3	2	1	0
INT_OC	INT_UV	Reserved	INT_OT	INT_BO	INT_CL	INT_SC	Reserved
R-0h	R-0h	R-0h	R-0h	R-0h	R-0h	R-0h	RW-0h

LEGEND: R/W = Read/Write; R = Read only; -n = value after reset

**Table 55. Interrupt Detected 1 Field Descriptions**

Bit	Field	Type	Reset	Description
7	INT_OC	R	0h	Sticky bit indicating that speaker over current condition 0 = did not occurred since last read 1 = occurred since last read
6	INT_UV	R	0h	Sticky bit indicating that analog under voltage condition 0 = did not occurred since last read 1 = occurred since last read
5	Reserved	R	0h	Reserved
4	INT_OT	R	0h	Sticky bit indicating that die over-temperature condition 0 = did not occurred since last read 1 = occurred since last read
3	INT_BO	R	0h	Sticky bit indicating that brownout condition 0 = did not occurred since last read 1 = occurred since last read
2	INT_CL	R	0h	Sticky bit indicating that the clock is lost condition 0 = did not occurred since last read 1 = occurred since last read
1	INT_SC	R	0h	Sticky bit indicating that the SAR complete condition 0 = did not occurred since last read 1 = occurred since last read
0	Reserved	RW	0h	Reserved

**9.6.2.34 INT\_DET\_2 (book=0x00 page=0x00 address=0x6C) [reset=0h]**

Sticky register used to indicate the source of an interrupt trigger. Register is cleared once read.

**Figure 76. INT\_DET\_2 Register Address: 0x6C**

7	6	5	4	3	2	1	0
Reserved	Reserved	Reserved	Reserved	INT_CLK1	INT_CLK2	Reserved	Reserved
R-0h	R-0h	R-0h	R-0h	R-0h	R-0h	R-0h	R-0h

LEGEND: R/W = Read/Write; R = Read only; -n = value after reset

**Table 56. Interrupt Detected 2 Field Descriptions**

Bit	Field	Type	Reset	Description
7	Reserved	R	0h	Reserved
6	Reserved	R	0h	Reserved
5	Reserved	R	0h	Reserved
4	Reserved	R	0h	Reserved
3	INT_CLK1	R	0h	Sticky bit indicating that clock error 1 condition 0 = did not occurred since last read 1 = occurred since last read
2	INT_CLK2	R	0h	Sticky bit indicating that the clock error 2 condition 0 = did not occurred since last read 1 = occurred since last read
1	Reserved	R	0h	Reserved
0	Reserved	R	0h	Reserved

**9.6.2.35 LOW\_POWER (book=0x00 page=0x00 address=0x79) [reset=0h]**

Configures the low power shutdown mode.

**Figure 77. LOW\_POWER Register Address: 0x79**

7	6	5	4	3	2	1	0
VBAT_POR	Reserved	Reserved	Reserved	Reserved	Reserved	Reserved	Reserved
RW-0h	RW-0h	RW-0h	RW-0h	RW-0h	RW-0h	RW-0h	RW-0h

LEGEND: R/W = Read/Write; R = Read only; -n = value after reset

**Table 57. Lower Power Shutdown Field Descriptions**

Bit	Field	Type	Reset	Description
7	VBAT_POR	RW	0h	Disable POR and enter lower power mode. The AVDD and VBATT must be present when this mode is used. Low power is 0 = disabled 1 = enabled
6	Reserved	RW	0h	Reserved
5	Reserved	RW	0h	Reserved
4	Reserved	RW	0h	Reserved
3	Reserved	RW	0h	Reserved
2	Reserved	RW	0h	Reserved
1	Reserved	RW	0h	Reserved
0	Reserved	RW	0h	Reserved

**9.6.2.36 BOOK (book=0x00 page=0x00 address=0x7F) [reset=0h]**

Book Selection

**Figure 78. BOOK Register Address: 0x7F**

7	6	5	4	3	2	1	0
BOOK[7:0]							
RW-0h							

LEGEND: R/W = Read/Write; R = Read only; -n = value after reset



**Table 58. Book Selection Field Descriptions**

Bit	Field	Type	Reset	Description
7-0	BOOK[7:0]	RW	0h	Set the device book 0 = Book 0 1 = Book 1 ... 255 = Book 255

**9.6.2.37 PAGE (book=0x00 page=0x01 address=0x00) [reset=1h]**

Selects the page for the next read or write.

**Figure 79. PAGE Register Address: 0x00**

7	6	5	4	3	2	1	0
PAGE[7:0]							
RW-1h							

LEGEND: R/W = Read/Write; R = Read only; -n = value after reset

**Table 59. Page Select Field Descriptions**

Bit	Field	Type	Reset	Description
7-0	PAGE[7:0]	RW	1h	Selects the Register Page for the next read or write command

**9.6.2.38 ASI1\_FORMAT (book=0x00 page=0x01 address=0x01) [reset=10h]**

Configures the ASI1 format, wordlength, and tristate.

**Figure 80. ASI1\_FORMAT Register Address: 0x01**

7	6	5	4	3	2	1	0
ASI1_MODE[2:0]			ASI1_LENGTH[1:0]		Reserved		ASI1_TRISTATE
RW-0h			RW-2h		RW-0h		RW-0h

LEGEND: R/W = Read/Write; R = Read only; -n = value after reset

**Table 60. ASI1 Format Field Descriptions**

Bit	Field	Type	Reset	Description
7-5	ASI1_MODE[2:0]	RW	0h	The ASI1 Input mode format is set to 0 = I2S 1 = DSP 2 = RJF , For non-zero values of ASI1_OFFSET1, LJF is preferred 3 = LJF 4 = MonoPCM 5-15 = Reserved
4-3	ASI1_LENGTH[1:0]	RW	2h	Sets the ASI1 input word-length to 0 = 16bits 1 = 20bits 2 = 24bits 3 = 32bits
2-1	Reserved	RW	0h	Reserved
0	ASI1_TRISTATE	RW	0h	Tri-stating of DOUT for the extra ASI1_BCLK cycles after Data Transfer is over for a frame is 0 = Disabled 1 = Enabled

**9.6.2.39 ASI1\_OFFSET\_1 (book=0x00 page=0x01 address=0x03) [reset=0h]**

Configures the ASI input offset. Offset is measured with respect to WCLK-rising edge in DSP Mode. Offset is not supported for RJF mode

**Figure 81. ASI1\_OFFSET\_1 Register Address: 0x03**

7	6	5	4	3	2	1	0
ASI1_OFFSET1[7:0]							
RW-0h							

LEGEND: R/W = Read/Write; R = Read only; -n = value after reset

**Table 61. ASI1 Offset Field Descriptions**

Bit	Field	Type	Reset	Description
7-0	ASI1_OFFSET1[7:0]	RW	0h	ASI1_OFFSET1[7:0]

**9.6.2.40 ASI1\_BUSKEEP (book=0x00 page=0x01 address=0x05) [reset=0h]**

Configures the buskeeper operation.

**Figure 82. ASI1\_BUSKEEP Register Address: 0x05**

7	6	5	4	3	2	1	0
ASI1_BKP	Reserved						
RW-0h							

LEGEND: R/W = Read/Write; R = Read only; -n = value after reset

**Table 62. ASI1 Buskeeper Field Descriptions**

Bit	Field	Type	Reset	Description
7	ASI1_BKP	RW	0h	Bus keep power down when DOUT is tri-stated to save IO power is 0 = disabled 1 = enabled
6-0	Reserved	RW	0h	Reserved

**9.6.2.41 ASI1\_BCLK (book=0x00 page=0x01 address=0x08) [reset=0h]**

Configures the bit clock pin, timing, and free running mode

**Figure 83. ASI1\_BCLK Register Address: 0x08**

7	6	5	4	3	2	1	0	
Reserved	ASI1_BCLK[3:0]				Reserved	ASI1_BCT	ASI1_FRM	
RW-0h		RW-0h				RW-0h	RW-0h	RW-0h

LEGEND: R/W = Read/Write; R = Read only; -n = value after reset

**Table 63. ASI1 BCLK Field Descriptions**

Bit	Field	Type	Reset	Description
7	Reserved	RW	0h	Reserved
6-3	ASI1_BCLK[3:0]	RW	0h	ASI1 BCLK input is from 0 = GPIO1 (Preferred pin usage) 1 = GPIO2 2 = GPIO3 3 = GPIO4 4 = GPIO5 5 = GPIO6 6 = GPIO7 7 = GPIO8 8 = GPIO9 9 = GPIO10 10-11 = Reserved 12 = GPI1 13 = GPI2 14 = GPI3 15-31 = Reserved
2	Reserved	RW	0h	Reserved

**Table 63. ASI1 BCLK Field Descriptions (continued)**

Bit	Field	Type	Reset	Description
1	ASI1_BCT	RW	0h	ASI1 BCLK timing as per timing protocol is 0 = normal 1 = inverted
0	ASI1_FRM	RW	0h	ASI1 BCLK and WCLK are 0 = active in output modes only when ASI1 is active and codec is powered up 1 = is free-running

**9.6.2.42 ASI1\_WCLK (book=0x00 page=0x01 address=0x09) [reset=8h]**

Configures the word clock pin and timing

**Figure 84. ASI1\_WCLK Register Address: 0x09**

7	6	5	4	3	2	1	0
Reserved	ASI1_WCLK[3:0]				Reserved	ASI1_WCT	Reserved
RW-0h	RW-1h				RW-0h	RW-0h	RW-0h

LEGEND: R/W = Read/Write; R = Read only; -n = value after reset

**Table 64. ASI1 WCLK Field Descriptions**

Bit	Field	Type	Reset	Description
7	Reserved	RW	0h	Reserved
6-3	ASI1_WCLK[3:0]	RW	1h	ASI1 WCLK input is from 0 = GPIO1 1 = GPIO2 (Preferred pin usage) 2 = GPIO3 3 = GPIO4 4 = GPIO5 5 = GPIO6 6 = GPIO7 7 = GPIO8 8 = GPIO9 9 = GPIO10 10-11 = Reserved 12 = GPI1 13 = GPI2 14 = GPI3 15-31 = Reserved
2	Reserved	RW	0h	Reserved
1	ASI1_WCT	RW	0h	ASI1 WCLK timing as per timing protocol is 0 = normal 1 = inverted
0	Reserved	RW	0h	Reserved

**9.6.2.43 ASI1\_DIN\_DOUT (book=0x00 page=0x01 address=0x0C) [reset=0h]**

Configures the digital input and output ports.

**Figure 85. ASI1\_DIN\_DOUT Register Address: 0x0C**

7	6	5	4	3	2	1	0
Reserved	ASI1_DIN[3:0]				Reserved	ASI1_DOUT[1:0]	
RW-0h	RW-0h				RW-0h	RW-0h	

LEGEND: R/W = Read/Write; R = Read only; -n = value after reset

**Table 65. ASI1 DIN/DOUT Field Descriptions**

Bit	Field	Type	Reset	Description
7	Reserved	RW	0h	Reserved
6-3	ASI1_DIN[3:0]	RW	0h	ASI1 DIN input is from 0 = GPIO1 1 = GPIO2 2 = GPIO3 3 = GPIO4 4 = GPIO5 5 = GPIO6 6 = GPIO7 7 = GPIO8 8 = GPIO9 9 = GPIO10 10-11 = Reserved 12 = GPI1 (Preferred pin usage) 13 = GPI2 14 = GPI3 15-31 = Reserved
2	Reserved	RW	0h	Reserved
1-0	ASI1_DOUT[1:0]	RW	0h	ASI1 DOUT output is 0 = DOUT path, output buffer enabled only if i-sense is powered up 1 = ASI1_DIN, loopback 2 = ASI2_DIN, loopback 3 = DOUT path, output buffer enable controlled only based on ASI1 configuration

**9.6.2.44 ASI1\_BDIV\_CLK (book=0x00 page=0x01 address=0x0D) [reset=1h]**

Selects the BDIV clock source

**Figure 86. ASI1\_BDIV\_CLK Register Address: 0x0D**

7	6	5	4	3	2	1	0
Reserved					ASI1_BDIV_SRC[2:0]		
RW-0h					RW-1h		

LEGEND: R/W = Read/Write; R = Read only; -n = value after reset

**Table 66. ASI1 BDIV Clock Field Descriptions**

Bit	Field	Type	Reset	Description
7-3	Reserved	RW	0h	Reserved
2-0	ASI1_BDIV_SRC[2:0]	RW	1h	ASI1 bit clock divider (BDIV) source is 0 = NDIV_CLK (Generated On-Chip) 1 = DAC_MOD_CLK (Generated On-Chip) 2 = Reserved 3 = ADC_MOD_CLK (Generated On-Chip) 4 = ASI1_DAC_BCLK (at pin) 5 = Reserved 6 = ASI2_DAC_BCLK (at pin) 7 = Reserved

**9.6.2.45 ASI1\_BDIV\_RATIO (book=0x00 page=0x01 address=0x0E) [reset=2h]**

Configure the BDIV ratio and power.

**Figure 87. ASI1\_BDIV\_RATIO Register Address: 0x0E**

7	6	5	4	3	2	1	0
ASI1_BDIV_P WR	ASI1_BDIV_RTO[6:0]						
RW-0h	RW-2h						

LEGEND: R/W = Read/Write; R = Read only; -n = value after reset

**Table 67. ASI1 BDIV Ratio Field Descriptions**

Bit	Field	Type	Reset	Description
7	ASI1_BDIV_PWR	RW	0h	The ASI1 BDIV divider is 0 = powered down 1 = powered up
6-0	ASI1_BDIV_RTO[6:0]	RW	2h	The ASI1 BDIV ratio is 0 = 128 1 = 1 2 = 2 ... 126 = 126 127 = 127

**9.6.2.46 ASI1\_WDIV\_RATIO (book=0x00 page=0x01 address=0x0F) [reset=20h]**

Configure the WDIV ratio and power.

**Figure 88. ASI1\_WDIV\_RATIO Register Address: 0x0F**

7	6	5	4	3	2	1	0
ASI1_WDIV_P WR	ASI1_WDIV_RTO[6:0]						
RW-0h	RW-20h						

LEGEND: R/W = Read/Write; R = Read only; -n = value after reset

**Table 68. ASI1 WDIV Ratio Field Descriptions**

Bit	Field	Type	Reset	Description
7	ASI1_WDIV_PWR	RW	0h	The ASI1 WDIV divider is 0 = powered down 1 = powered up
6-0	ASI1_WDIV_RTO[6:0]	RW	20h	The ASI1 WDIV ratio is 0 = 128 1 = 1 2 = 2 ... 126 = 126 127 = 127

**9.6.2.47 ASI1\_CLK\_OUT (book=0x00 page=0x01 address=0x10) [reset=0h]**

Configures the clock source for BCLK and WCLK

**Figure 89. ASI1\_CLK\_OUT Register Address: 0x10**

7	6	5	4	3	2	1	0
Reserved	ASI1_BCLKS[2:0]			Reserved	ASI1_WCLKS[2:0]		
RW-0h	RW-0h			RW-0h	RW-0h		

LEGEND: R/W = Read/Write; R = Read only; -n = value after reset

**Table 69. ASI1 Clock Source Field Descriptions**

Bit	Field	Type	Reset	Description
7	Reserved	RW	0h	Reserved
6-4	ASI1_BCLKS[2:0]	RW	0h	ASI1 bit clock(BCLK) output source is 0 = ASI1 BDIV divider output 1 = ASI1 DAC clock 2 = Reserved 3 = ASI2 BDIV divider output 4 = ASI2 DAC clock 5=15 = Reserved
3	Reserved	RW	0h	Reserved

**Table 69. ASI1 Clock Source Field Descriptions (continued)**

Bit	Field	Type	Reset	Description
2-0	ASI1_WCLKS[2:0]	RW	0h	ASI1 bit clock(WCLK) output source is 0 = ASI1 WDIV divider output 1 = ASI1 DAC clock 2 = Reserved 3 = ASI2 WDIV divider output 4 = ASI2 DAC clock 5=15 = Reserved

**9.6.2.48 ASI2\_FORMAT (book=0x00 page=0x01 address=0x15) [reset=10h]**

Configures the ASI2 format, wordlength, and tristate.

**Figure 90. ASI2\_FORMAT Register Address: 0x15**

7	6	5	4	3	2	1	0
ASI2_MODE[2:0]			ASI2_LENGTH[1:0]		Reserved		ASI2_TRISTATE
RW-0h			RW-2h		RW-0h		RW-0h

LEGEND: R/W = Read/Write; R = Read only; -n = value after reset

**Table 70. ASI2 Format Field Descriptions**

Bit	Field	Type	Reset	Description
7-5	ASI2_MODE[2:0]	RW	0h	The ASI1 Input mode format is set to 0 = I2S 1 = DSP 2 = RJF , For non-zero values of ASI2_OFFSET1, LJF is preferred 3 = LJF 4 = MonoPCM 5-15 = Reserved
4-3	ASI2_LENGTH[1:0]	RW	2h	Sets the ASI2 input word-length to 0 = 16bits 1 = 20bits 2 = 24bits 3 = 32bits
2-1	Reserved	RW	0h	Reserved
0	ASI2_TRISTATE	RW	0h	Tri-stating of DOUT for the extra ASI2_BCLK cycles after Data Transfer is over for a frame is 0 = Disabled 1 = Enabled

**9.6.2.49 ASI2\_OFFSET\_1 (book=0x00 page=0x01 address=0x17) [reset=0h]**

Configures the ASI input offset. Offset is measured with respect to WCLK-rising edge in DSP Mode. Offset is not supported for RJF mode

**Figure 91. ASI2\_OFFSET\_1 Register Address: 0x17**

7	6	5	4	3	2	1	0
ASI2_OFFSET1[7:0]							
RW-0h							

LEGEND: R/W = Read/Write; R = Read only; -n = value after reset

**Table 71. ASI2 Offset Field Descriptions**

Bit	Field	Type	Reset	Description
7-0	ASI2_OFFSET1[7:0]	RW	0h	ASI2_OFFSET1[7:0]

**9.6.2.50 ASI2\_BUSKEEP (book=0x00 page=0x01 address=0x19) [reset=0h]**

Configures the buskeeper operation.

**Figure 92. ASI2\_BUSKEEP Register Address: 0x19**

7	6	5	4	3	2	1	0
ASI2_BKP	Reserved						
RW-0h	RW-0h						

LEGEND: R/W = Read/Write; R = Read only; -n = value after reset

**Table 72. ASI2 Buskeeper Field Descriptions**

Bit	Field	Type	Reset	Description
7	ASI2_BKP	RW	0h	Bus keep power down when DOUT is tri-stated to save IO power is 0 = disabled 1 = enabled
6-0	Reserved	RW	0h	Reserved

**9.6.2.51 ASI2\_BCLK (book=0x00 page=0x01 address=0x1C) [reset=20h]**

Configures the bit clock pin, timing, and free running mode

**Figure 93. ASI2\_BCLK Register Address: 0x1C**

7	6	5	4	3	2	1	0
Reserved	ASI2_BCLK[3:0]				Reserved	ASI2_BCT	ASI2_FRM
RW-0h	RW-4h				RW-0h	RW-0h	RW-0h

LEGEND: R/W = Read/Write; R = Read only; -n = value after reset

**Table 73. ASI2 BCLK Field Descriptions**

Bit	Field	Type	Reset	Description
7	Reserved	RW	0h	Reserved
6-3	ASI2_BCLK[3:0]	RW	4h	ASI2 BCLK input is from 0 = GPIO1 1 = GPIO2 2 = GPIO3 3 = GPIO4 4 = GPIO5 (Preferred pin usage) 5 = GPIO6 6 = GPIO7 7 = GPIO8 8 = GPIO9 9 = GPIO10 10-11 = Reserved 12 = GPI1 13 = GPI2 14 = GPI3 15-31 = Reserved
2	Reserved	RW	0h	Reserved
1	ASI2_BCT	RW	0h	ASI2 BCLK timing as per timing protocol is 0 = normal 1 = inverted
0	ASI2_FRM	RW	0h	ASI2 BCLK and WCLK are 0 = active in output modes only when ASI2 is active and codec is powered up 1 = is free-running

**9.6.2.52 ASI2\_WCLK (book=0x00 page=0x01 address=0x1D) [reset=28h]**

Configures the word clock pin and timing

**Figure 94. ASI2\_WCLK Register Address: 0x1D**

7	6	5	4	3	2	1	0
Reserved	ASI2_WCLK[3:0]				Reserved	ASI2_WCT	Reserved
RW-0h	RW-5h				RW-0h	RW-0h	RW-0h

LEGEND: R/W = Read/Write; R = Read only; -n = value after reset

**Table 74. ASI2 WCLK Field Descriptions**

Bit	Field	Type	Reset	Description
7	Reserved	RW	0h	Reserved
6-3	ASI2_WCLK[3:0]	RW	5h	ASI2 WCLK input is from 0 = GPIO1 1 = GPIO2 2 = GPIO3 3 = GPIO4 4 = GPIO5 5 = GPIO6 (Preferred pin usage) 6 = GPIO7 7 = GPIO8 8 = GPIO9 9 = GPIO10 10-11 = Reserved 12 = GPI1 13 = GPI2 14 = GPI3 15-31 = Reserved
2	Reserved	RW	0h	Reserved
1	ASI2_WCT	RW	0h	ASI2 WCLK timing as per timing protocol is 0 = normal 1 = inverted
0	Reserved	RW	0h	Reserved

**9.6.2.53 ASI2\_DIN\_DOUT (book=0x00 page=0x01 address=0x20) [reset=38h]**

Configures the digital input and output ports.

**Figure 95. ASI2\_DIN\_DOUT Register Address: 0x20**

7	6	5	4	3	2	1	0
Reserved	ASI2_DIN[3:0]				Reserved	ASI2_DOUT[1:0]	
RW-0h	RW-7h				RW-0h	RW-0h	

LEGEND: R/W = Read/Write; R = Read only; -n = value after reset

**Table 75. ASI2 DIN/DOUT Field Descriptions**

Bit	Field	Type	Reset	Description
7	Reserved	RW	0h	Reserved
6-3	ASI2_DIN[3:0]	RW	7h	ASI2 DIN input is from 0 = GPIO1 1 = GPIO2 2 = GPIO3 3 = GPIO4 4 = GPIO5 5 = GPIO6 6 = GPIO7 7 = GPIO8 (Preferred pin usage) 8 = GPIO9 9 = GPIO10 10-11 = Reserved 12 = GPI1 13 = GPI2 14 = GPI3 15-31 = Reserved
2	Reserved	RW	0h	Reserved



**Table 75. ASI2 DIN/DOUT Field Descriptions (continued)**

Bit	Field	Type	Reset	Description
1-0	ASI2_DOUT[1:0]	RW	0h	ASI2 DOUT output is 0 = DOUT path, output buffer enabled only if i-sense is powered up 1 = ASI1_DIN, loopback 2 = ASI2_DIN, loopback 3 = DOUT path, output buffer enable controlled only based on ASI1 configuration

**9.6.2.54 ASI2\_BDIV\_CLK (book=0x00 page=0x01 address=0x21) [reset=1h]**

Selects the BDIV clock source

**Figure 96. ASI2\_BDIV\_CLK Register Address: 0x21**

7	6	5	4	3	2	1	0
Reserved					ASI2_BDIV_SRC[2:0]		
RW-0h					RW-1h		

LEGEND: R/W = Read/Write; R = Read only; -n = value after reset

**Table 76. ASI2 BDIV Clock Field Descriptions**

Bit	Field	Type	Reset	Description
7-3	Reserved	RW	0h	Reserved
2-0	ASI2_BDIV_SRC[2:0]	RW	1h	ASI1 bit clock divider (BDIV) source is 0 = NDIV_CLK (Generated On-Chip) 1 = DAC_MOD_CLK (Generated On-Chip) 2 = Reserved 3 = ADC_MOD_CLK (Generated On-Chip) 4 = ASI1_DAC_BCLK (at pin) 5 = Reserved 6 = ASI2_DAC_BCLK (at pin) 7 = Reserved

**9.6.2.55 ASI2\_BDIV\_RATIO (book=0x00 page=0x01 address=0x22) [reset=2h]**

Configure the BDIV ratio and power.

**Figure 97. ASI2\_BDIV\_RATIO Register Address: 0x22**

7	6	5	4	3	2	1	0
ASI2_BDIV_P WR	ASI2_BDIV_RTO[6:0]						
RW-0h	RW-2h						

LEGEND: R/W = Read/Write; R = Read only; -n = value after reset

**Table 77. ASI2 BDIV Ratio Field Descriptions**

Bit	Field	Type	Reset	Description
7	ASI2_BDIV_PWR	RW	0h	The ASI2 BDIV divider is 0 = powered down 1 = powered up
6-0	ASI2_BDIV_RTO[6:0]	RW	2h	The ASI2 BDIV ratio is 0 = 128 1 = 1 2 = 2 ... 126 = 126 127 = 127

**9.6.2.56 ASI2\_WDIV\_RATIO (book=0x00 page=0x01 address=0x23) [reset=20h]**

Configure the WDIV ratio and power.

**Figure 98. ASI2\_WDIV\_RATIO Register Address: 0x23**

7	6	5	4	3	2	1	0
ASI2_WDIV_P WR	ASI2_WDIV_RTO[6:0]						
RW-0h	RW-20h						

LEGEND: R/W = Read/Write; R = Read only; -n = value after reset

**Table 78. ASI2 WDIV Ratio Field Descriptions**

Bit	Field	Type	Reset	Description
7	ASI2_WDIV_PWR	RW	0h	The ASI2 WDIV divider is 0 = powered down 1 = powered up
6-0	ASI2_WDIV_RTO[6:0]	RW	20h	The ASI2 WDIV ratio is 0 = 128 1 = 1 2 = 2 ... 126 = 126 127 = 127

**9.6.2.57 ASI2\_CLK\_OUT (book=0x00 page=0x01 address=0x24) [reset=33h]**

Configures the clock source for BCLK and WCLK

**Figure 99. ASI2\_CLK\_OUT Register Address: 0x24**

7	6	5	4	3	2	1	0
Reserved	ASI2_BCLKS[2:0]			Reserved	ASI2_WCLKS[2:0]		
RW-0h	RW-3h			RW-0h	RW-3h		

LEGEND: R/W = Read/Write; R = Read only; -n = value after reset

**Table 79. ASI2 Clock Source Field Descriptions**

Bit	Field	Type	Reset	Description
7	Reserved	RW	0h	Reserved
6-4	ASI2_BCLKS[2:0]	RW	3h	ASI2 bit clock(BCLK) output source is 0 = ASI1 BDIV divider output 1 = ASI1 DAC clock 2 = Reserved 3 = ASI2 BDIV divider output 4 = ASI2 DAC clock 5=15 = Reserved
3	Reserved	RW	0h	Reserved
2-0	ASI2_WCLKS[2:0]	RW	3h	ASI2 bit clock(WCLK) output source is 0 = ASI1 WDIV divider output 1 = ASI1 DAC clock 2 = Reserved 3 = ASI2 WDIV divider output 4 = ASI2 DAC clock 5=15 = Reserved

**9.6.2.58 GPIO1\_PIN (book=0x00 page=0x01 address=0x3D) [reset=1h]**

Configures BCLK1\_GPIO1 pin.

**Figure 100. GPIO1\_PIN Register Address: 0x3D**

7	6	5	4	3	2	1	0
Reserved	GP1_VAL	Reserved	GP1_OUT[4:0]				
RW-0h	RW-0h	RW-0h	RW-1h				

LEGEND: R/W = Read/Write; R = Read only; -n = value after reset

**Table 80. GPIO1 Field Descriptions**

Bit	Field	Type	Reset	Description
7	Reserved	RW	0h	Reserved
6	GP1_VAL	RW	0h	When value GP1_OUT=3, configure pin output to 0 = Low 1 = High
5	Reserved	RW	0h	Reserved
4-0	GP1_OUT[4:0]	RW	1h	Pin is configured to 0 = disabled, buffers powered down 1 = input, use input MUX for relevant function 2 = Reserved 3 = output, use GP1_VAL to set value 4 = output, use GPBB_VAL to set value 5 = output, PDM clk output for PDM data input 6 = output, CLKOUT output 7 = output, INT1 interrupt 8 = output, INT2 interrupt 9 = output, INT3 interrupt 10 = output, INT4 interrupt 11 = Reserved 12 = output, ASI1_WCLK_OUT 13 = output, ASI1_BCLK_OUT 14-15 = Reserved 16 = ASI1_DOUT 17 = ASI1_WCLK_OUT 18 = ASI2_BCLK_OUT 19-20 = Reserved 21 = ASI2_DOUT 22-26 = Reserved 27 = ASIM_WCLK_OUT 28 = ASIM_BCLK_OUT 29 = ASIM_DOUT 30-31 = Reserved

**9.6.2.59 GPIO2\_PIN (book=0x00 page=0x01 address=0x3E) [reset=1h]**

Configures WCLK1\_GPIO2 pin.

**Figure 101. GPIO2\_PIN Register Address: 0x3E**

7	6	5	4	3	2	1	0
Reserved	GP2_VAL	Reserved	GP2_OUT[4:0]				
RW-0h	RW-0h	RW-0h	RW-1h				

LEGEND: R/W = Read/Write; R = Read only; -n = value after reset

**Table 81. GPIO2 Field Descriptions**

Bit	Field	Type	Reset	Description
7	Reserved	RW	0h	Reserved
6	GP2_VAL	RW	0h	When value GP2_OUT=3, configure pin output to 0 = Low 1 = High
5	Reserved	RW	0h	Reserved

**Table 81. GPIO2 Field Descriptions (continued)**

Bit	Field	Type	Reset	Description
4-0	GP2_OUT[4:0]	RW	1h	Pin is configured to 0 = disabled, buffers powered down 1 = input, use input MUX for relevant function 2 = Reserved 3 = output, use GP2_VAL to set value 4 = output, use GPBB_VAL to set value 5 = output, PDM clk output for PDM data input 6 = output, CLKOUT output 7 = output, INT1 interrupt 8 = output, INT2 interrupt 9 = output, INT3 interrupt 10 = output, INT4 interrupt 11 = Reserved 12 = output, ASI1_WCLK_OUT 13 = output, ASI1_BCLK_OUT 14-15 = Reserved 16 = ASI1_DOUT 17 = ASI1_WCLK_OUT 18 = ASI2_BCLK_OUT 19-20 = Reserved 21 = ASI2_DOUT 22-26 = Reserved 27 = ASIM_WCLK_OUT 28 = ASIM_BCLK_OUT 29 = ASIM_DOUT 30-31 = Reserved

**9.6.2.60 GPIO3\_PIN (book=0x00 page=0x01 address=0x3F) [reset=10h]**

Configures DOUT1\_GPIO3 pin.

**Figure 102. GPIO3\_PIN Register Address: 0x3F**

7	6	5	4	3	2	1	0
Reserved	GP3_VAL	Reserved	GP3_OUT[4:0]				
RW-0h	RW-0h	RW-0h	RW-10h				

LEGEND: R/W = Read/Write; R = Read only; -n = value after reset

**Table 82. GPIO3 Field Descriptions**

Bit	Field	Type	Reset	Description
7	Reserved	RW	0h	Reserved
6	GP3_VAL	RW	0h	When value GP3_OUT=3, configure pin output to 0 = Low 1 = High
5	Reserved	RW	0h	Reserved

**Table 82. GPIO3 Field Descriptions (continued)**

Bit	Field	Type	Reset	Description
4-0	GP3_OUT[4:0]	RW	10h	Pin is configured to 0 = disabled, buffers powered down 1 = input, use input MUX for relevant function 2 = Reserved 3 = output, use GP3_VAL to set value 4 = output, use GPBB_VAL to set value 5 = output, PDM clk output for PDM data input 6 = output, CLKOUT output 7 = output, INT1 interrupt 8 = output, INT2 interrupt 9 = output, INT3 interrupt 10 = output, INT4 interrupt 11 = Reserved 12 = output, ASI1_WCLK_OUT 13 = output, ASI1_BCLK_OUT 14-15 = Reserved 16 = ASI1_DOUT 17 = ASI1_WCLK_OUT 18 = ASI2_BCLK_OUT 19-20 = Reserved 21 = ASI2_DOUT 22-26 = Reserved 27 = ASIM_WCLK_OUT 28 = ASIM_BCLK_OUT 29 = ASIM_DOUT 30-31 = Reserved

**9.6.2.61 GPIO4\_PIN (book=0x00 page=0x01 address=0x40) [reset=7h]**

Configures IRQ\_GPIO4 pin.

**Figure 103. GPIO4\_PIN Register Address: 0x40**

7	6	5	4	3	2	1	0
Reserved	GP4_VAL	Reserved	GP4_OUT[4:0]				
RW-0h	RW-0h	RW-0h	RW-7h				

LEGEND: R/W = Read/Write; R = Read only; -n = value after reset

**Table 83. GPIO4 Field Descriptions**

Bit	Field	Type	Reset	Description
7	Reserved	RW	0h	Reserved
6	GP4_VAL	RW	0h	When value GP4_OUT=3, configure pin output to 0 = Low 1 = High
5	Reserved	RW	0h	Reserved

**Table 83. GPIO4 Field Descriptions (continued)**

Bit	Field	Type	Reset	Description
4-0	GP4_OUT[4:0]	RW	7h	Pin is configured to 0 = disabled, buffers powered down 1 = input, use input MUX for relevant function 2 = Reserved 3 = output, use GP4_VAL to set value 4 = output, use GPBB_VAL to set value 5 = output, PDM clk output for PDM data input 6 = output, CLKOUT output 7 = output, INT1 interrupt 8 = output, INT2 interrupt 9 = output, INT3 interrupt 10 = output, INT4 interrupt 11 = Reserved 12 = output, ASI1_WCLK_OUT 13 = output, ASI1_BCLK_OUT 14-15 = Reserved 16 = ASI1_DOUT 17 = ASI1_WCLK_OUT 18 = ASI2_BCLK_OUT 19-20 = Reserved 21 = ASI2_DOUT 22-26 = Reserved 27 = ASIM_WCLK_OUT 28 = ASIM_BCLK_OUT 29 = ASIM_DOUT 30-31 = Reserved

**9.6.2.62 GPIO5\_PIN (book=0x00 page=0x01 address=0x41) [reset=0h]**

Configures BCLK2\_GPIO5 pin.

**Figure 104. GPIO5\_PIN Register Address: 0x41**

7	6	5	4	3	2	1	0
Reserved	GP5_VAL	Reserved	GP5_OUT[4:0]				
RW-0h	RW-0h	RW-0h	RW-0h				

LEGEND: R/W = Read/Write; R = Read only; -n = value after reset

**Table 84. GPIO5 Field Descriptions**

Bit	Field	Type	Reset	Description
7	Reserved	RW	0h	Reserved
6	GP5_VAL	RW	0h	When value GP5_OUT=3, configure pin output to 0 = Low 1 = High
5	Reserved	RW	0h	Reserved

**Table 84. GPIO5 Field Descriptions (continued)**

Bit	Field	Type	Reset	Description
4-0	GP5_OUT[4:0]	RW	0h	Pin is configured to 0 = disabled, buffers powered down 1 = input, use input MUX for relevant function 2 = Reserved 3 = output, use GP5_VAL to set value 4 = output, use GPBB_VAL to set value 5 = output, PDM clk output for PDM data input 6 = output, CLKOUT output 7 = output, INT1 interrupt 8 = output, INT2 interrupt 9 = output, INT3 interrupt 10 = output, INT4 interrupt 11 = Reserved 12 = output, ASI1_WCLK_OUT 13 = output, ASI1_BCLK_OUT 14-15 = Reserved 16 = ASI1_DOUT 17 = ASI1_WCLK_OUT 18 = ASI2_BCLK_OUT 19-20 = Reserved 21 = ASI2_DOUT 22-26 = Reserved 27 = ASIM_WCLK_OUT 28 = ASIM_BCLK_OUT 29 = ASIM_DOUT 30-31 = Reserved

**9.6.2.63 GPIO6\_PIN (book=0x00 page=0x01 address=0x42) [reset=0h]**

Configures WCLK2\_GPIO6 pin.

**Figure 105. GPIO6\_PIN Register Address: 0x42**

7	6	5	4	3	2	1	0
Reserved	GP6_VAL	Reserved	GP6_OUT[4:0]				
RW-0h	RW-0h	RW-0h	RW-0h				

LEGEND: R/W = Read/Write; R = Read only; -n = value after reset

**Table 85. GPIO6 Field Descriptions**

Bit	Field	Type	Reset	Description
7	Reserved	RW	0h	Reserved
6	GP6_VAL	RW	0h	When value GP6_OUT=3, configure pin output to 0 = Low 1 = High
5	Reserved	RW	0h	Reserved

**Table 85. GPIO6 Field Descriptions (continued)**

Bit	Field	Type	Reset	Description
4-0	GP6_OUT[4:0]	RW	0h	Pin is configured to 0 = disabled, buffers powered down 1 = input, use input MUX for relevant function 2 = Reserved 3 = output, use GP6_VAL to set value 4 = output, use GPBB_VAL to set value 5 = output, PDM clk output for PDM data input 6 = output, CLKOUT output 7 = output, INT1 interrupt 8 = output, INT2 interrupt 9 = output, INT3 interrupt 10 = output, INT4 interrupt 11 = Reserved 12 = output, ASI1_WCLK_OUT 13 = output, ASI1_BCLK_OUT 14-15 = Reserved 16 = ASI1_DOUT 17 = ASI1_WCLK_OUT 18 = ASI2_BCLK_OUT 19-20 = Reserved 21 = ASI2_DOUT 22-26 = Reserved 27 = ASIM_WCLK_OUT 28 = ASIM_BCLK_OUT 29 = ASIM_DOUT 30-31 = Reserved

**9.6.2.64 GPIO7\_PIN (book=0x00 page=0x01 address=0x43) [reset=0h]**

Configures DOUT2\_GPIO7 pin.

**Figure 106. GPIO7\_PIN Register Address: 0x43**

7	6	5	4	3	2	1	0
Reserved	GP7_VAL	Reserved	GP7_OUT[4:0]				
RW-0h	RW-0h	RW-0h	RW-0h				

LEGEND: R/W = Read/Write; R = Read only; -n = value after reset

**Table 86. GPIO7 Field Descriptions**

Bit	Field	Type	Reset	Description
7	Reserved	RW	0h	Reserved
6	GP7_VAL	RW	0h	When value GP7_OUT=3, configure pin output to 0 = Low 1 = High
5	Reserved	RW	0h	Reserved



**Table 86. GPIO7 Field Descriptions (continued)**

Bit	Field	Type	Reset	Description
4-0	GP7_OUT[4:0]	RW	0h	Pin is configured to 0 = disabled, buffers powered down 1 = input, use input MUX for relevant function 2 = Reserved 3 = output, use GP7_VAL to set value 4 = output, use GPBB_VAL to set value 5 = output, PDM clk output for PDM data input 6 = output, CLKOUT output 7 = output, INT1 interrupt 8 = output, INT2 interrupt 9 = output, INT3 interrupt 10 = output, INT4 interrupt 11 = Reserved 12 = output, ASI1_WCLK_OUT 13 = output, ASI1_BCLK_OUT 14-15 = Reserved 16 = ASI1_DOUT 17 = ASI1_WCLK_OUT 18 = ASI2_BCLK_OUT 19-20 = Reserved 21 = ASI2_DOUT 22-26 = Reserved 27 = ASIM_WCLK_OUT 28 = ASIM_BCLK_OUT 29 = ASIM_DOUT 30-31 = Reserved

**9.6.2.65 GPIO8\_PIN (book=0x00 page=0x01 address=0x44) [reset=0h]**

Configures DIN2\_GPIO8 pin.

**Figure 107. GPIO8\_PIN Register Address: 0x44**

7	6	5	4	3	2	1	0
Reserved	GP8_VAL	Reserved	GP8_OUT[4:0]				
RW-0h	RW-0h	RW-0h	RW-0h				

LEGEND: R/W = Read/Write; R = Read only; -n = value after reset

**Table 87. GPIO8 Field Descriptions**

Bit	Field	Type	Reset	Description
7	Reserved	RW	0h	Reserved
6	GP8_VAL	RW	0h	When value GP8_OUT=3, configure pin output to 0 = Low 1 = High
5	Reserved	RW	0h	Reserved

**Table 87. GPIO8 Field Descriptions (continued)**

Bit	Field	Type	Reset	Description
4-0	GP8_OUT[4:0]	RW	0h	Pin is configured to 0 = disabled, buffers powered down 1 = input, use input MUX for relevant function 2 = Reserved 3 = output, use GP8_VAL to set value 4 = output, use GPBB_VAL to set value 5 = output, PDM clk output for PDM data input 6 = output, CLKOUT output 7 = output, INT1 interrupt 8 = output, INT2 interrupt 9 = output, INT3 interrupt 10 = output, INT4 interrupt 11 = Reserved 12 = output, ASI1_WCLK_OUT 13 = output, ASI1_BCLK_OUT 14-15 = Reserved 16 = ASI1_DOUT 17 = ASI1_WCLK_OUT 18 = ASI2_BCLK_OUT 19-20 = Reserved 21 = ASI2_DOUT 22-26 = Reserved 27 = ASIM_WCLK_OUT 28 = ASIM_BCLK_OUT 29 = ASIM_DOUT 30-31 = Reserved

**9.6.2.66 GPIO9\_PIN (book=0x00 page=0x01 address=0x45) [reset=0h]**

Configures ICC\_CLK\_GPIO9 pin.

**Figure 108. GPIO9\_PIN Register Address: 0x45**

7	6	5	4	3	2	1	0
Reserved	GP9_VAL	Reserved	GP9_OUT[4:0]				
RW-0h	RW-0h	RW-0h	RW-0h				

LEGEND: R/W = Read/Write; R = Read only; -n = value after reset

**Table 88. GPIO9 Field Descriptions**

Bit	Field	Type	Reset	Description
7	Reserved	RW	0h	Reserved
6	GP9_VAL	RW	0h	When value GP9_OUT=3, configure pin output to 0 = Low 1 = High
5	Reserved	RW	0h	Reserved

**Table 88. GPIO9 Field Descriptions (continued)**

Bit	Field	Type	Reset	Description
4-0	GP9_OUT[4:0]	RW	0h	Pin is configured to 0 = disabled, buffers powered down 1 = input, use input MUX for relevant function 2 = Reserved 3 = output, use GP9_VAL to set value 4 = output, use GPBB_VAL to set value 5 = output, PDM clk output for PDM data input 6 = output, CLKOUT output 7 = output, INT1 interrupt 8 = output, INT2 interrupt 9 = output, INT3 interrupt 10 = output, INT4 interrupt 11 = Reserved 12 = output, ASI1_WCLK_OUT 13 = output, ASI1_BCLK_OUT 14-15 = Reserved 16 = ASI1_DOUT 17 = ASI1_WCLK_OUT 18 = ASI2_BCLK_OUT 19-20 = Reserved 21 = ASI2_DOUT 22-26 = Reserved 27 = ASIM_WCLK_OUT 28 = ASIM_BCLK_OUT 29 = ASIM_DOUT 30-31 = Reserved

**9.6.2.67 GPIO10\_PIN (book=0x00 page=0x01 address=0x46) [reset=0h]**

Configures ICC\_DOUT\_GPIO10 pin.

**Figure 109. GPIO10\_PIN Register Address: 0x46**

7	6	5	4	3	2	1	0	
Reserved	GP10_VAL	Reserved	GP10_OUT[4:0]					
RW-0h	RW-0h	RW-0h	RW-0h					

LEGEND: R/W = Read/Write; R = Read only; -n = value after reset

**Table 89. GPIO10 Field Descriptions**

Bit	Field	Type	Reset	Description
7	Reserved	RW	0h	Reserved
6	GP10_VAL	RW	0h	When value GP10_OUT=3, configure pin output to 0 = Low 1 = High
5	Reserved	RW	0h	Reserved

**Table 89. GPIO10 Field Descriptions (continued)**

Bit	Field	Type	Reset	Description
4-0	GP10_OUT[4:0]	RW	0h	Pin is configured to 0 = disabled, buffers powered down 1 = input, use input MUX for relevant function 2 = Reserved 3 = output, use GP10_VAL to set value 4 = output, use GPBB_VAL to set value 5 = output, PDM clk output for PDM data input 6 = output, CLKOUT output 7 = output, INT1 interrupt 8 = output, INT2 interrupt 9 = output, INT3 interrupt 10 = output, INT4 interrupt 11 = Reserved 12 = output, ASI1_WCLK_OUT 13 = output, ASI1_BCLK_OUT 14-15 = Reserved 16 = ASI1_DOUT 17 = ASI1_WCLK_OUT 18 = ASI2_BCLK_OUT 19-20 = Reserved 21 = ASI2_DOUT 22-26 = Reserved 27 = ASIM_WCLK_OUT 28 = ASIM_BCLK_OUT 29 = ASIM_DOUT 30-31 = Reserved

**9.6.2.68 GPI\_PIN (book=0x00 page=0x01 address=0x4D) [reset=0h]**

Configures the GPI pins

**Figure 110. GPI\_PIN Register Address: 0x4D**

7	6	5	4	3	2	1	0
Reserved		GPI3_MODE[1:0]		GPI2_MODE[1:0]		GPI1_MODE[1:0]	
RW-0h		RW-0h		RW-0h		RW-0h	

LEGEND: R/W = Read/Write; R = Read only; -n = value after reset

**Table 90. GPI Pin Mode Field Descriptions**

Bit	Field	Type	Reset	Description
7-6	Reserved	RW	0h	Reserved
5-4	GPI3_MODE[1:0]	RW	0h	Pin GPI3 mode is 0 = disabled, powered down 1 = input, use input MUX for relevant function 2 = Reserved 3 = Reserved
3-2	GPI2_MODE[1:0]	RW	0h	Pin GPI2 mode is 0 = disabled, powered down 1 = input, use input MUX for relevant function 2 = Reserved 3 = Reserved
1-0	GPI1_MODE[1:0]	RW	0h	Pin GPI1 mode is 0 = disabled, powered down 1 = input, use input MUX for relevant function 2 = Reserved 3 = Reserved

**9.6.2.69 GPIO\_HIZ\_1 (book=0x00 page=0x01 address=0x4F) [reset=0h]**

Configures high-Z state of GPIO1 and GPIO2

**Figure 111. GPIO\_HIZ\_1 Register Address: 0x4F**

7	6	5	4	3	2	1	0
Reserved	GP2_HIZ[2:0]			Reserved	GP1_HIZ[2:0]		
RW-0h	RW-0h			RW-0h	RW-0h		

LEGEND: R/W = Read/Write; R = Read only; -n = value after reset

**Table 91. GPIO HiZ 1 Field Descriptions**

Bit	Field	Type	Reset	Description
7	Reserved	RW	0h	Reserved
6-4	GP2_HIZ[2:0]	RW	0h	Pin GPIO2 output is 0 = driven both LO/HI 1 = driven both LO/HI with buskeeper for use with outputs needing tri-stated 2 = Reserved 3 = Reserved 4 = Reserved 5 = Reserved 6 = Reserved 7 = Reserved
3	Reserved	RW	0h	Reserved
2-0	GP1_HIZ[2:0]	RW	0h	Pin GPIO1 output is 0 = driven both LO/HI 1 = driven both LO/HI with buskeeper for use with outputs needing tri-stated 2 = Reserved 3 = Reserved 4 = Reserved 5 = Reserved 6 = Reserved 7 = Reserved

**9.6.2.70 GPIO\_HIZ\_2 (book=0x00 page=0x01 address=0x50) [reset=0h]**

Configures high-Z state of GPIO3 and GPIO4

**Figure 112. GPIO\_HIZ\_2 Register Address: 0x50**

7	6	5	4	3	2	1	0
Reserved	GP4_HIZ[2:0]			Reserved	GP3_HIZ[2:0]		
RW-0h	RW-0h			RW-0h	RW-0h		

LEGEND: R/W = Read/Write; R = Read only; -n = value after reset

**Table 92. GPIO HiZ 2 Field Descriptions**

Bit	Field	Type	Reset	Description
7	Reserved	RW	0h	Reserved
6-4	GP4_HIZ[2:0]	RW	0h	Pin GPIO4 output is 0 = driven both LO/HI 1 = driven both LO/HI with buskeeper for use with outputs needing tri-stated 2 = Reserved 3 = Reserved 4 = Reserved 5 = Reserved 6 = Reserved 7 = Reserved
3	Reserved	RW	0h	Reserved

**Table 92. GPIO HiZ 2 Field Descriptions (continued)**

Bit	Field	Type	Reset	Description
2-0	GP3_HIZ[2:0]	RW	0h	Pin GPIO3 output is 0 = driven both LO/HI 1 = driven both LO/HI with buskeeper for use with outputs needing tri-stated 2 = Reserved 3 = Reserved 4 = Reserved 5 = Reserved 6 = Reserved 7 = Reserved

**9.6.2.71 GPIO\_HIZ\_3 (book=0x00 page=0x01 address=0x51) [reset=0h]**

Configures high-Z state of GPIO5 and GPIO6

**Figure 113. GPIO\_HIZ\_3 Register Address: 0x51**

7	6	5	4	3	2	1	0
Reserved	GP6_HIZ[2:0]			Reserved	GP5_HIZ[2:0]		
RW-0h	RW-0h			RW-0h	RW-0h		

LEGEND: R/W = Read/Write; R = Read only; -n = value after reset

**Table 93. GPIO HiZ 3 Field Descriptions**

Bit	Field	Type	Reset	Description
7	Reserved	RW	0h	Reserved
6-4	GP6_HIZ[2:0]	RW	0h	Pin GPIO6 output is 0 = driven both LO/HI 1 = driven both LO/HI with buskeeper for use with outputs needing tri-stated 2 = Reserved 3 = Reserved 4 = Reserved 5 = Reserved 6 = Reserved 7 = Reserved
3	Reserved	RW	0h	Reserved
2-0	GP5_HIZ[2:0]	RW	0h	Pin GPIO5 output is 0 = driven both LO/HI 1 = driven both LO/HI with buskeeper for use with outputs needing tri-stated 2 = Reserved 3 = Reserved 4 = Reserved 5 = Reserved 6 = Reserved 7 = Reserved

**9.6.2.72 GPIO\_HIZ\_4 (book=0x00 page=0x01 address=0x52) [reset=0h]**

Configures high-Z state of GPIO7 and GPIO8

**Figure 114. GPIO\_HIZ\_4 Register Address: 0x52**

7	6	5	4	3	2	1	0
Reserved	GP8_HIZ[2:0]			Reserved	GP7_HIZ[2:0]		
RW-0h	RW-0h			RW-0h	RW-0h		

LEGEND: R/W = Read/Write; R = Read only; -n = value after reset

**Table 94. GPIO HiZ 4 Field Descriptions**

Bit	Field	Type	Reset	Description
7	Reserved	RW	0h	Reserved
6-4	GP8_HIZ[2:0]	RW	0h	Pin GPIO8 output is 0 = driven both LO/HI 1 = driven both LO/HI with buskeeper for use with outputs needing tri-stated 2 = Reserved 3 = Reserved 4 = Reserved 5 = Reserved 6 = Reserved 7 = Reserved
3	Reserved	RW	0h	Reserved
2-0	GP7_HIZ[2:0]	RW	0h	Pin GPIO7 output is 0 = driven both LO/HI 1 = driven both LO/HI with buskeeper for use with outputs needing tri-stated 2 = Reserved 3 = Reserved 4 = Reserved 5 = Reserved 6 = Reserved 7 = Reserved

**9.6.2.73 GPIO\_HIZ\_5 (book=0x00 page=0x01 address=0x53) [reset=0h]**

Configures high-Z state of GPIO9 and GPIO10

**Figure 115. GPIO\_HIZ\_5 Register Address: 0x53**

7	6	5	4	3	2	1	0
Reserved	GP10_HIZ[2:0]			Reserved	GP9_HIZ[2:0]		
RW-0h	RW-0h			RW-0h	RW-0h		

LEGEND: R/W = Read/Write; R = Read only; -n = value after reset

**Table 95. GPIO HiZ 5 Field Descriptions**

Bit	Field	Type	Reset	Description
7	Reserved	RW	0h	Reserved
6-4	GP10_HIZ[2:0]	RW	0h	Pin GPIO10 output is 0 = driven both LO/HI 1 = driven both LO/HI with buskeeper for use with outputs needing tri-stated 2 = Reserved 3 = Reserved 4 = Reserved 5 = Reserved 6 = Reserved 7 = Reserved
3	Reserved	RW	0h	Reserved
2-0	GP9_HIZ[2:0]	RW	0h	Pin GPIO9 output is 0 = driven both LO/HI 1 = driven both LO/HI with buskeeper for use with outputs needing tri-stated 2 = Reserved 3 = Reserved 4 = Reserved 5 = Reserved 6 = Reserved 7 = Reserved

**9.6.2.74 BIT\_BANG\_OUT1 (book=0x00 page=0x01 address=0x58) [reset=0h]**

GPIO pin state when using bit-bang output.

**Figure 116. BIT\_BANG\_OUT1 Register Address: 0x58**

7	6	5	4	3	2	1	0
BBO_GP8	BBO_GP7	BBO_GP6	BBO_GP5	BBO_GP4	BBO_GP3	BBO_GP2	BBO_GP1
RW-0h	RW-0h	RW-0h	RW-0h	RW-0h	RW-0h	RW-0h	RW-0h

LEGEND: R/W = Read/Write; R = Read only; -n = value after reset

**Table 96. Bit Bang Output 1 Field Descriptions**

Bit	Field	Type	Reset	Description
7	BBO_GP8	RW	0h	GPIO8 pin output is 0 = low 1 = high
6	BBO_GP7	RW	0h	GPIO7 pin output is 0 = low 1 = high
5	BBO_GP6	RW	0h	GPIO6 pin output is 0 = low 1 = high
4	BBO_GP5	RW	0h	GPIO5 pin output is 0 = low 1 = high
3	BBO_GP4	RW	0h	GPIO4 pin output is 0 = low 1 = high
2	BBO_GP3	RW	0h	GPIO3 pin output is 0 = low 1 = high
1	BBO_GP2	RW	0h	GPIO2 pin output is 0 = low 1 = high
0	BBO_GP1	RW	0h	GPIO1 pin output is 0 = low 1 = high

**9.6.2.75 BIT\_BANG\_OUT2 (book=0x00 page=0x01 address=0x59) [reset=0h]**

GPIO pin state when using pin as bit-bang output.

**Figure 117. BIT\_BANG\_OUT2 Register Address: 0x59**

7	6	5	4	3	2	1	0
Reserved						BBO_GP10	BBO_GP9
RW-0h						RW-0h	RW-0h

LEGEND: R/W = Read/Write; R = Read only; -n = value after reset

**Table 97. Bit Bang Output 2 Field Descriptions**

Bit	Field	Type	Reset	Description
7-2	Reserved	RW	0h	Reserved
1	BBO_GP10	RW	0h	GPIO10 pin output is 0 = low 1 = high
0	BBO_GP9	RW	0h	GPIO9 pin output is 0 = low 1 = high



**9.6.2.76 BIT\_BANG\_IN1 (book=0x00 page=0x01 address=0x5A) [reset=0h]**

GPIO pin value when used as bit-bang input.

**Figure 118. BIT\_BANG\_IN1 Register Address: 0x5A**

7	6	5	4	3	2	1	0
BBI_GP8	BBI_GP7	BBI_GP6	BBI_GP5	BBI_GP4	BBI_GP3	BBI_GP2	BBI_GP1
R-0h	R-0h	R-0h	R-0h	R-0h	R-0h	R-0h	R-0h

LEGEND: R/W = Read/Write; R = Read only; -n = value after reset

**Table 98. Bit Bang Input 1 Field Descriptions**

Bit	Field	Type	Reset	Description
7	BBI_GP8	R	0h	GPIO8 pin input is 0 = low 1 = high
6	BBI_GP7	R	0h	GPIO7 pin input is 0 = low 1 = high
5	BBI_GP6	R	0h	GPIO6 pin input is 0 = low 1 = high
4	BBI_GP5	R	0h	GPIO5 pin input is 0 = low 1 = high
3	BBI_GP4	R	0h	GPIO4 pin input is 0 = low 1 = high
2	BBI_GP3	R	0h	GPIO3 pin input is 0 = low 1 = high
1	BBI_GP2	R	0h	GPIO2 pin input is 0 = low 1 = high
0	BBI_GP1	R	0h	GPIO1 pin input is 0 = low 1 = high

**9.6.2.77 BIT\_BANG\_IN2 (book=0x00 page=0x01 address=0x5B) [reset=0h]**

GPIO pin value when used as bit-bang input.

**Figure 119. BIT\_BANG\_IN2 Register Address: 0x5B**

7	6	5	4	3	2	1	0
Reserved						BBI_GP10	BBI_GP9
RW-0h						RW-0h	RW-0h

LEGEND: R/W = Read/Write; R = Read only; -n = value after reset

**Table 99. Bit Bang Input 2 Field Descriptions**

Bit	Field	Type	Reset	Description
7-2	Reserved	RW	0h	Reserved
1	BBI_GP10	RW	0h	GPIO10 pin input is 0 = low 1 = high
0	BBI_GP9	RW	0h	GPIO9 pin input is 0 = low 1 = high

**9.6.2.78 BIT\_BANG\_IN3 (book=0x00 page=0x01 address=0x5C) [reset=0h]**

GPI pin value when used as bit-bang input.

**Figure 120. BIT\_BANG\_IN3 Register Address: 0x5C**

7	6	5	4	3	2	1	0
Reserved					BBI_GPI3	BBI_GPI2	BBI_GPI1
RW-0h					RW-0h	RW-0h	RW-0h

LEGEND: R/W = Read/Write; R = Read only; -n = value after reset

**Table 100. Bit Bang Input 3 Field Descriptions**

Bit	Field	Type	Reset	Description
7-3	Reserved	RW	0h	Reserved
2	BBI_GPI3	RW	0h	GPI3 pin input is 0 = low 1 = high
1	BBI_GPI2	RW	0h	GPI2 pin input is 0 = low 1 = high
0	BBI_GPI1	RW	0h	GPI1 pin input is 0 = low 1 = high

**9.6.2.79 ASIM\_BUSKEEP (book=0x00 page=0x01 address=0x60) [reset=0h]**

Configures the buskeeper operation.

**Figure 121. ASIM\_BUSKEEP Register Address: 0x60**

7	6	5	4	3	2	1	0
ASIM_BKP	Reserved						
RW-0h	RW-0h						

LEGEND: R/W = Read/Write; R = Read only; -n = value after reset

**Table 101. ASIM Buskeeper Field Descriptions**

Bit	Field	Type	Reset	Description
7	ASIM_BKP	RW	0h	Bus keep power down when DOUT is tri-stated to save IO power is 0 = disabled 1 = enabled
6-0	Reserved	RW	0h	Reserved

**9.6.2.80 ASIM\_MODE (book=0x00 page=0x01 address=0x61) [reset=8h]**

specifies the format and slots for the Interchip Communication (ICC) Interface

**Figure 122. ASIM\_MODE Register Address: 0x61**

7	6	5	4	3	2	1	0
ASIM_INT	Reserved	ASIM_WCNT[3:0]				ASIM_RS	ASIM_WS
RW-0h	RW-0h	RW-2h				RW-0h	RW-0h

LEGEND: R/W = Read/Write; R = Read only; -n = value after reset

**Table 102. ASIM Mode Field Descriptions**

Bit	Field	Type	Reset	Description
7	ASIM_INT	RW	0h	ASIM interface is 0 = Non-ICC set by ASIM_FORMAT 1 = ICC interface for multichip
6	Reserved	RW	0h	Reserved

**Table 102. ASIM Mode Field Descriptions (continued)**

Bit	Field	Type	Reset	Description
5-2	ASIM_WCNT[3:0]	RW	2h	The number of words(32-bit samples) in one frame of the ICC. The total number of bit transmitted is (1+words)*33 0 = Reserved 1 = 1 word 2 = 2 words ... 13 = 13 words 14 = 14 words 15 = Reserved
1	ASIM_RS	RW	0h	The device will read the following ICC slots and transfer data to DSP 0 = only it own slot 1 = all slots
0	ASIM_WS	RW	0h	The device will write the following ICC slots and transfer data to DSP 0 = only it own slot 1 = all slots

**9.6.2.81 ASIM\_NUM\_DEV (book=0x00 page=0x01 address=0x62) [reset=0h]**

specifies the number of devices on the Interchip Communication (ICC) Interface

**Figure 123. ASIM\_NUM\_DEV Register Address: 0x62**

7	6	5	4	3	2	1	0
Reserved	ASIM_TND[2:0]			Reserved	ASIM_DN[2:0]		
RW-0h	RW-0h			RW-0h	RW-0h		

LEGEND: R/W = Read/Write; R = Read only; -n = value after reset

**Table 103. ASIM Number Devices Field Descriptions**

Bit	Field	Type	Reset	Description
7	Reserved	RW	0h	Reserved
6-4	ASIM_TND[2:0]	RW	0h	Total number of devices on the ICC interface bus 0 = 8 1 = 1 2 = 2 ... 6 = 6 7 = 7
3	Reserved	RW	0h	Reserved
2-0	ASIM_DN[2:0]	RW	0h	The device number for this device on the ICC interface bus 0 = 1 1 = 2 ... 6 = 7 7 = 8

**9.6.2.82 ASIM\_FORMAT (book=0x00 page=0x01 address=0x63) [reset=10h]**

Configures the ASI2 format, wordlength, and tristate.

**Figure 124. ASIM\_FORMAT Register Address: 0x63**

7	6	5	4	3	2	1	0
ASIM_MODE[2:0]			ASI2_LENGTH[1:0]		Reserved		ASI2_TRISTATE
RW-0h			RW-2h		RW-0h		RW-0h

LEGEND: R/W = Read/Write; R = Read only; -n = value after reset

**Table 104. ASIM Format Field Descriptions**

Bit	Field	Type	Reset	Description
7-5	ASIM_MODE[2:0]	RW	0h	The ASIM Input mode format is set to 0 = I2S 1 = DSP 2 = RJF , For non-zero values of ASIM_OFFSET1, LJF is preferred 3 = LJF 4 = MonoPCM 5-15 = Reserved
4-3	ASI2_LENGTH[1:0]	RW	2h	Sets the ASIM input word-length to 0 = 16bits 1 = 20bits 2 = 24bits 3 = 32bits
2-1	Reserved	RW	0h	Reserved
0	ASI2_TRISTATE	RW	0h	Tri-stating of DOUT for the extra ASIM_BCLK cycles after Data Transfer is over for a frame is 0 = Disabled 1 = Enabled

**9.6.2.83 ASIM\_BDIV\_CLK (book=0x00 page=0x01 address=0x64) [reset=1h]**

Selects the BDIV clock source and input/output mode for WCLK/BCLK.

**Figure 125. ASIM\_BDIV\_CLK Register Address: 0x64**

7	6	5	4	3	2	1	0
ASIM_BCD	ASIM_WCD	Reserved			ASIM_BDIV_SRC[2:0]		
RW-0h	RW-0h	RW-0h			RW-1h		

LEGEND: R/W = Read/Write; R = Read only; -n = value after reset

**Table 105. ASIM BDIV Clock Field Descriptions**

Bit	Field	Type	Reset	Description
7	ASIM_BCD	RW	0h	ASIM BCLK is 0 = input 1 = output; use only in ICC mode if device number is 1
6	ASIM_WCD	RW	0h	ASIM WCLK is 0 = input 1 = output
5-3	Reserved	RW	0h	Reserved
2-0	ASIM_BDIV_SRC[2:0]	RW	1h	ASIM bit clock divider (BDIV) source is 0 = NDIV_CLK (Generated On-Chip) 1 = DAC_MOD_CLK (Generated On-Chip) 2 = Reserved 3 = ADC_MOD_CLK (Generated On-Chip) 4 = ASI1_DAC_BCLK (at pin) 5 = ASI1_ADC_BCLK (at pin) 6 = ASI2_DAC_BCLK (at pin) 7 = ASI2_ADC_BCLK (at pin)

**9.6.2.84 ASIM\_BDIV\_RATIO (book=0x00 page=0x01 address=0x65) [reset=2h]**

Configure the BDIV ratio and power.

**Figure 126. ASIM\_BDIV\_RATIO Register Address: 0x65**

7	6	5	4	3	2	1	0
ASIM_BDIV_P WR	ASIM_BDIV_RTO[6:0]						
RW-0h	RW-2h						

LEGEND: R/W = Read/Write; R = Read only; -n = value after reset

**Table 106. ASIM BDIV Ratio Field Descriptions**

Bit	Field	Type	Reset	Description
7	ASIM_BDIV_PWR	RW	0h	The ASIM BDIV divider is 0 = powered down 1 = powered up
6-0	ASIM_BDIV_RTO[6:0]	RW	2h	The ASIM BDIV ratio is 0 = 128 1 = 1 2 = 2 ... 126 = 126 127 = 127

**9.6.2.85 ASIM\_WDIV\_RATIO\_1 (book=0x00 page=0x01 address=0x66) [reset=0h]**

Configure the WDIV ratio and power.

**Figure 127. ASIM\_WDIV\_RATIO\_1 Register Address: 0x66**

7	6	5	4	3	2	1	0
ASIM_WDIV_PWR	Reserved					ASIM_WDIV_RTO[9:8]	
RW-0h	RW-0h					RW-0h	

LEGEND: R/W = Read/Write; R = Read only; -n = value after reset

**Table 107. ASIM WDIV Ratio Field Descriptions**

Bit	Field	Type	Reset	Description
7	ASIM_WDIV_PWR	RW	0h	The ASIM WDIV divider is 0 = powered down 1 = powered up
6-2	Reserved	RW	0h	Reserved
1--8	ASIM_WDIV_RTO[9:0]	RW	0h	MSB for ASIM WDIV divider

**9.6.2.86 ASIM\_WDIV\_RATIO\_2 (book=0x00 page=0x01 address=0x67) [reset=20h]**

Configure the WDIV ratio.

**Figure 128. ASIM\_WDIV\_RATIO\_2 Register Address: 0x67**

7	6	5	4	3	2	1	0
ASIM_WDIV_RTO[7:0]							
RW-20h							

LEGEND: R/W = Read/Write; R = Read only; -n = value after reset

**Table 108. ASIM WDIV Ratio Field Descriptions**

Bit	Field	Type	Reset	Description
7-0	ASIM_WDIV_RTO[7:0]	RW	20h	LSB for ASIM WDIV. Number for ASIM_BDIV clock cycles in on ASIM_WCLK frame 0 = 1024 1 = 1 2 = 2 ... 1022 = 1022 1023 = 1023

**9.6.2.87 ASIM\_BCLK (book=0x00 page=0x01 address=0x68) [reset=40h]**

Configures the bit clock pin.

**Figure 129. ASIM\_BCLK Register Address: 0x68**

7	6	5	4	3	2	1	0
Reserved	ASIM_BCLK[3:0]				Reserved		
RW-0h	RW-8h				RW-0h		

LEGEND: R/W = Read/Write; R = Read only; -n = value after reset

**Table 109. ASIM BCLK Field Descriptions**

Bit	Field	Type	Reset	Description
7	Reserved	RW	0h	Reserved
6-3	ASIM_BCLK[3:0]	RW	8h	ASIM BCLK input is from 0 = GPIO1 1 = GPIO2 2 = GPIO3 3 = GPIO4 4 = GPIO5 5 = GPIO6 6 = GPIO7 7 = GPIO8 8 = GPIO9 (Preferred pin usage) 9 = GPIO10 10-11 = Reserved 12 = GPI1 13 = GPI2 14 = GPI3 15-31 = Reserved
2-0	Reserved	RW	0h	Reserved

**9.6.2.88 ASIM\_WCLK (book=0x00 page=0x01 address=0x69) [reset=38h]**

Configures the word clock pin.

**Figure 130. ASIM\_WCLK Register Address: 0x69**

7	6	5	4	3	2	1	0
Reserved	ASIM_WCLK[3:0]				Reserved		
RW-0h	RW-7h				RW-0h		

LEGEND: R/W = Read/Write; R = Read only; -n = value after reset

**Table 110. ASIM WCLK Field Descriptions**

Bit	Field	Type	Reset	Description
7	Reserved	RW	0h	Reserved
6-3	ASIM_WCLK[3:0]	RW	7h	ASIM BCLK input is from 0 = GPIO1 1 = GPIO2 2 = GPIO3 3 = GPIO4 4 = GPIO5 5 = GPIO6 6 = GPIO7 7 = GPIO8 (Preferred pin usage) 8 = GPIO9 9 = GPIO10 10-11 = Reserved 12 = GPI1 13 = GPI2 14 = GPI3 15-31 = Reserved
2-0	Reserved	RW	0h	Reserved

**9.6.2.89 ASIM\_DIN (book=0x00 page=0x01 address=0x6A) [reset=70h]**

Configures the ASIM data input pin and clock detection 2 interrupt generation.

**Figure 131. ASIM\_DIN Register Address: 0x6A**

7	6	5	4	3	2	1	0
Reserved	ASIM_DIN[3:0]			INT_GEN_CH2[2:0]			
RW-0h	RW-Eh			RW-0h			

LEGEND: R/W = Read/Write; R = Read only; -n = value after reset

**Table 111. ASI1 DIN Field Descriptions**

Bit	Field	Type	Reset	Description
7	Reserved	RW	0h	Reserved
6-3	ASIM_DIN[3:0]	RW	Eh	ASIM BCLK input is from 0 = GPIO1 1 = GPIO2 2 = GPIO3 3 = GPIO4 4 = GPIO5 5 = GPIO6 6 = GPIO7 7 = GPIO8 8 = GPIO9 9 = GPIO10 10-11 = Reserved 12 = GPI1 13 = GPI2 14 = GPI3 (Preferred pin usage) 15-31 = Reserved
2-0	INT_GEN_CH2[2:0]	RW	0h	Clock halt detection 2 is 0 = not used in the generation of interrupt 1 = used in the generation of INT1 2 = used in the generation of INT2 3 = used in the generation of INT3 4 = used in the generation of INT4 5-7 = Reserved

**9.6.2.90 INT\_GEN\_1 (book=0x00 page=0x01 address=0x6C) [reset=0h]**

Assign speaker over-current and device over-voltage to specific interrupt

**Figure 132. INT\_GEN\_1 Register Address: 0x6C**

7	6	5	4	3	2	1	0
Reserved	INT_GEN_OC[2:0]			Reserved	INT_GEN_OV[2:0]		
RW-0h	RW-0h			RW-0h	RW-0h		

LEGEND: R/W = Read/Write; R = Read only; -n = value after reset

**Table 112. Interrupt Generation 1 Field Descriptions**

Bit	Field	Type	Reset	Description
7	Reserved	RW	0h	Reserved
6-4	INT_GEN_OC[2:0]	RW	0h	Speaker over current is 0 = not used in the generation of interrupt 1 = used in the generation of INT1 2 = used in the generation of INT2 3 = used in the generation of INT3 4 = used in the generation of INT4 5-7 = Reserved
3	Reserved	RW	0h	Reserved

**Table 112. Interrupt Generation 1 Field Descriptions (continued)**

Bit	Field	Type	Reset	Description
2-0	INT_GEN_OV[2:0]	RW	0h	Device over voltage is 0 = not used in the generation of interrupt 1 = used in the generation of INT1 2 = used in the generation of INT2 3 = used in the generation of INT3 4 = used in the generation of INT4 5-7 = Reserved

**9.6.2.91 INT\_GEN\_2 (book=0x00 page=0x01 address=0x6D) [reset=0h]**

Assign clock error deteciton 1 and die over temperature to specific interrupt

**Figure 133. INT\_GEN\_2 Register Address: 0x6D**

7	6	5	4	3	2	1	0
Reserved	INT_GEN_CE1[2:0]			Reserved	INT_GEN_OT[2:0]		
RW-0h	RW-0h			RW-0h	RW-0h		

LEGEND: R/W = Read/Write; R = Read only; -n = value after reset

**Table 113. Interrupt Generation 2 Field Descriptions**

Bit	Field	Type	Reset	Description
7	Reserved	RW	0h	Reserved
6-4	INT_GEN_CE1[2:0]	RW	0h	Clock error detection 1 is 0 = not used in the generation of interrupt 1 = used in the generation of INT1 2 = used in the generation of INT2 3 = used in the generation of INT3 4 = used in the generation of INT4 5-7 = Reserved
3	Reserved	RW	0h	Reserved
2-0	INT_GEN_OT[2:0]	RW	0h	Die over-temperature is 0 = not used in the generation of interrupt 1 = used in the generation of INT1 2 = used in the generation of INT2 3 = used in the generation of INT3 4 = used in the generation of INT4 5-7 = Reserved

**9.6.2.92 INT\_GEN\_3 (book=0x00 page=0x01 address=0x6E) [reset=0h]**

Assign clock error deteciton 2 and brownout to specific interrupt

**Figure 134. INT\_GEN\_3 Register Address: 0x6E**

7	6	5	4	3	2	1	0
Reserved	INT_GEN_BO[2:0]			Reserved	INT_GEN_CE2[2:0]		
RW-0h	RW-0h			RW-0h	RW-0h		

LEGEND: R/W = Read/Write; R = Read only; -n = value after reset

**Table 114. Interrupt Generation 3 Field Descriptions**

Bit	Field	Type	Reset	Description
7	Reserved	RW	0h	Reserved
6-4	INT_GEN_BO[2:0]	RW	0h	Device brownout is 0 = not used in the generation of interrupt 1 = used in the generation of INT1 2 = used in the generation of INT2 3 = used in the generation of INT3 4 = used in the generation of INT4 5-7 = Reserved



**Table 114. Interrupt Generation 3 Field Descriptions (continued)**

Bit	Field	Type	Reset	Description
3	Reserved	RW	0h	Reserved
2-0	INT_GEN_CE2[2:0]	RW	0h	Clock error detection 2 is 0 = not used in the generation of interrupt 1 = used in the generation of INT1 2 = used in the generation of INT2 3 = used in the generation of INT3 4 = used in the generation of INT4 5-7 = Reserved

**9.6.2.93 INT\_GEN\_4 (book=0x00 page=0x01 address=0x6F) [reset=0h]**

Assign SAR complete and clock halt 1 to specific interrupt

**Figure 135. INT\_GEN\_4 Register Address: 0x6F**

7	6	5	4	3	2	1	0
Reserved	INT_GEN_SC[2:0]			Reserved	INT_GEN_CL[2:0]		
RW-0h	RW-0h			RW-0h	RW-0h		

LEGEND: R/W = Read/Write; R = Read only; -n = value after reset

**Table 115. Interrupt Generation 4 Field Descriptions**

Bit	Field	Type	Reset	Description
7	Reserved	RW	0h	Reserved
6-4	INT_GEN_SC[2:0]	RW	0h	SAR measurement complete is 0 = not used in the generation of interrupt 1 = used in the generation of INT1 2 = used in the generation of INT2 3 = used in the generation of INT3 4 = used in the generation of INT4 5-7 = Reserved
3	Reserved	RW	0h	Reserved
2-0	INT_GEN_CL[2:0]	RW	0h	Clock lost halt 1 is 0 = not used in the generation of interrupt 1 = used in the generation of INT1 2 = used in the generation of INT2 3 = used in the generation of INT3 4 = used in the generation of INT4 5-7 = Reserved

**9.6.2.94 INT\_GEN\_5 (book=0x00 page=0x01 address=0x70) [reset=0h]**

Assign DSP Interrupt 1 and DSP interrupt 2 to specific interrupt

**Figure 136. INT\_GEN\_5 Register Address: 0x70**

7	6	5	4	3	2	1	0
Reserved	INT_GEN_DSP1[2:0]			Reserved	INT_GEN_DSP2[2:0]		
RW-0h	RW-0h			RW-0h	RW-0h		

LEGEND: R/W = Read/Write; R = Read only; -n = value after reset

**Table 116. Interrupt Generation 5 Field Descriptions**

Bit	Field	Type	Reset	Description
7	Reserved	RW	0h	Reserved
6-4	INT_GEN_DSP1[2:0]	RW	0h	DSP output interrupt 1 is 0 = not used in the generation of interrupt 1 = used in the generation of INT1 2 = used in the generation of INT2 3 = used in the generation of INT3 4 = used in the generation of INT4 5-7 = Reserved
3	Reserved	RW	0h	Reserved
2-0	INT_GEN_DSP2[2:0]	RW	0h	DSP output interrupt 2 is 0 = not used in the generation of interrupt 1 = used in the generation of INT1 2 = used in the generation of INT2 3 = used in the generation of INT3 4 = used in the generation of INT4 5-7 = Reserved

**9.6.2.95 INT\_GEN\_6 (book=0x00 page=0x01 address=0x71) [reset=0h]**

Assign DSP Interrupt 3 and DSP interrupt 4 to specific interrupt

**Figure 137. INT\_GEN\_6 Register Address: 0x71**

7	6	5	4	3	2	1	0
Reserved	INT_GEN_DSP3[2:0]			Reserved	INT_GEN_DSP4[2:0]		
RW-0h	RW-0h			RW-0h	RW-0h		

LEGEND: R/W = Read/Write; R = Read only; -n = value after reset

**Table 117. Interrupt Generation 6 Field Descriptions**

Bit	Field	Type	Reset	Description
7	Reserved	RW	0h	Reserved
6-4	INT_GEN_DSP3[2:0]	RW	0h	DSP output interrupt 3 is 0 = not used in the generation of interrupt 1 = used in the generation of INT1 2 = used in the generation of INT2 3 = used in the generation of INT3 4 = used in the generation of INT4 5-7 = Reserved
3	Reserved	RW	0h	Reserved
2-0	INT_GEN_DSP4[2:0]	RW	0h	DSP output interrupt 4 is 0 = not used in the generation of interrupt 1 = used in the generation of INT1 2 = used in the generation of INT2 3 = used in the generation of INT3 4 = used in the generation of INT4 5-7 = Reserved

**9.6.2.96 INT\_IND\_MODE (book=0x00 page=0x01 address=0x72) [reset=0h]**

Configure how interrupts are reported.

**Figure 138. INT\_IND\_MODE Register Address: 0x72**

7	6	5	4	3	2	1	0
INT1_IND[1:0]		INT2_IND[1:0]		INT3_IND[1:0]		INT4_IND[1:0]	
RW-0h		RW-0h		RW-0h		RW-0h	

LEGEND: R/W = Read/Write; R = Read only; -n = value after reset

**Table 118. Interrupt Indication Mode Field Descriptions**

Bit	Field	Type	Reset	Description
7-6	INT1_IND[1:0]	RW	0h	Interrupt 1 pin will indicate an interrupt as 0 = one active high pulse of duration 2 ms 1 = multiple active high pulses of duration 2 ms with period 4 ms until INT_STICKY_1 and INT_STICKY_2 are read to be cleared. 2 = active high until INT_STICKY_1 and INT_STICKY_2 are read to be cleared. 2 = active high based instantaneous interrupt value
5-4	INT2_IND[1:0]	RW	0h	Interrupt 2 pin will indicate an interrupt as 0 = one active high pulse of duration 2 ms 1 = multiple active high pulses of duration 2 ms with period 4 ms until INT_STICKY_1 and INT_STICKY_2 are read to be cleared. 2 = active high until INT_STICKY_1 and INT_STICKY_2 are read to be cleared. 2 = active high based instantaneous interrupt value
3-2	INT3_IND[1:0]	RW	0h	Interrupt 3 pin will indicate an interrupt as 0 = one active high pulse of duration 2 ms 1 = multiple active high pulses of duration 2 ms with period 4 ms until INT_STICKY_1 and INT_STICKY_2 are read to be cleared. 2 = active high until INT_STICKY_1 and INT_STICKY_2 are read to be cleared. 2 = active high based instantaneous interrupt value
1-0	INT4_IND[1:0]	RW	0h	Interrupt 4 pin will indicate an interrupt as 0 = one active high pulse of duration 2 ms 1 = multiple active high pulses of duration 2 ms with period 4 ms until INT_STICKY_1 and INT_STICKY_2 are read to be cleared. 2 = active high until INT_STICKY_1 and INT_STICKY_2 are read to be cleared. 2 = active high based instantaneous interrupt value

**9.6.2.97 MAIN\_CLK\_PIN (book=0x00 page=0x01 address=0x73) [reset=Dh]**

Configures the main clock input source.

**Figure 139. MAIN\_CLK\_PIN Register Address: 0x73**

7	6	5	4	3	2	1	0
Reserved				MAIN_CLK_DIN[3:0]			
RW-0h				RW-Dh			

LEGEND: R/W = Read/Write; R = Read only; -n = value after reset

**Table 119. Main Clock Source Field Descriptions**

Bit	Field	Type	Reset	Description
7-4	Reserved	RW	0h	Reserved
3-0	MAIN_CLK_DIN[3:0]	RW	Dh	NDIV_MUX_CLKIN input is from 0 = GPIO1 1 = GPIO2 2 = GPIO3 3 = GPIO4 4 = GPIO5 5 = GPIO6 6 = GPIO7 7 = GPIO8 8 = GPIO9 9 = GPIO10 10-11 = Reserved 12 = GPI1 13 = GPI2 (Preferred pin usage) 14 = GPI3 15 = PLL_CLK generated on-chip

**9.6.2.98 PLL\_CLK\_PIN (book=0x00 page=0x01 address=0x74) [reset=Dh]**

Configures the PLL clock input source.

**Figure 140. PLL\_CLK\_PIN Register Address: 0x74**

7	6	5	4	3	2	1	0
Reserved				PLL_CLK_DIN[3:0]			
RW-0h				RW-Dh			

LEGEND: R/W = Read/Write; R = Read only; -n = value after reset

**Table 120. PLL Clock Source Field Descriptions**

Bit	Field	Type	Reset	Description
7-4	Reserved	RW	0h	Reserved
3-0	PLL_CLK_DIN[3:0]	RW	Dh	PLL_CLKIN input is from 0 = GPIO1 1 = GPIO2 2 = GPIO3 3 = GPIO4 4 = GPIO5 5 = GPIO6 6 = GPIO7 7 = GPIO8 8 = GPIO9 9 = GPIO10 10-11 = Reserved 12 = GPI1 13 = GPI2 (Preferred pin usage) 14 = GPI3 15 = from internal oscillator

**9.6.2.99 CLKOUT\_MUX (book=0x00 page=0x01 address=0x75) [reset=Dh]**

Configures the CDIV\_CLKIN clock input source.

**Figure 141. CLKOUT\_MUX Register Address: 0x75**

7	6	5	4	3	2	1	0
Reserved				CLKOUT_DIN[4:0]			
RW-0h				RW-Dh			

LEGEND: R/W = Read/Write; R = Read only; -n = value after reset

**Table 121. CDIV\_CLKIN Clock Source Field Descriptions**

Bit	Field	Type	Reset	Description
7-5	Reserved	RW	0h	Reserved
4-0	CLKOUT_DIN[4:0]	RW	Dh	CDIV_CLKIN input is from 0 = GPIO1 1 = GPIO2 2 = GPIO3 3 = GPIO4 4 = GPIO5 5 = GPIO6 6 = GPIO7 7 = GPIO8 8 = GPIO9 9 = GPIO10 10-11 = Reserved 12 = GPI1 13 = GPI2 (Preferred pin usage) 14 = GPI3 15 = PLL_CLK 16 = DAC_MOD_CLK 17 = ADC_MOD_CLK 18 = NDIV_CLK 19-31 = Reserved

**9.6.2.100 CLKOUT\_CDIV\_RATIO (book=0x00 page=0x01 address=0x76) [reset=1h]**

Configure the CDIV ratio and power.

**Figure 142. CLKOUT\_CDIV\_RATIO Register Address: 0x76**

7	6	5	4	3	2	1	0
CDIV_PWR		CDIV_RTO[6:0]					
RW-0h		RW-1h					

LEGEND: R/W = Read/Write; R = Read only; -n = value after reset

**Table 122. CLKOUT CDIV Ratio Field Descriptions**

Bit	Field	Type	Reset	Description
7	CDIV_PWR	RW	0h	The CDIV divider is 0 = powered down 1 = powered up
6-0	CDIV_RTO[6:0]	RW	1h	The CDIV ratio is 0 = 128 1 = 1 2 = 2 ... 126 = 126 127 = 127

**9.6.2.101 I2C\_MISC (book=0x00 page=0x01 address=0x7C) [reset=0h]**

Configures various I2C options

**Figure 143. I2C\_MISC Register Address: 0x7C**

7	6	5	4	3	2	1	0
Reserved	I2C_HD	I2C_GCAE	Reserved				
RW-0h	RW-0h	RW-0h	RW-0h				

LEGEND: R/W = Read/Write; R = Read only; -n = value after reset

**Table 123. I2C Misc Field Descriptions**

Bit	Field	Type	Reset	Description
7	Reserved	RW	0h	Reserved
6	I2C_HD	RW	0h	I2C hang detecton. Read to clear. Do not write this bit high. I2C hang is 0 = detected 1 = not detected
5	I2C_GCAE	RW	0h	When enabled the part will respond to the configured I2C address as well as the general call I2C address. I2C general call address for multi-part loading is 0 = disabled 1 = enabled
4-0	Reserved	RW	0h	Reserved

**9.6.2.102 DEVICE\_ID (book=0x00 page=0x01 address=0x7D) [reset=12h]**

Used to indicate device

**Figure 144. DEVICE\_ID Register Address: 0x7D**

7	6	5	4	3	2	1	0
DEV_ID[7:0]							
R-12h							

LEGEND: R/W = Read/Write; R = Read only; -n = value after reset

**Table 124. Device ID Field Descriptions**

Bit	Field	Type	Reset	Description
7-0	DEV_ID[7:0]	R	12h	

**9.6.2.103 PAGE (book=0x00 page=0x02 address=0x00) [reset=1h]**

Selects the page for the next read or write.

**Figure 145. PAGE Register Address: 0x00**

7	6	5	4	3	2	1	0
PAGE[7:0]							
RW-1h							

LEGEND: R/W = Read/Write; R = Read only; -n = value after reset

**Table 125. Page Select Field Descriptions**

Bit	Field	Type	Reset	Description
7-0	PAGE[7:0]	RW	1h	Selects the Register Page for the next read or write command

**9.6.2.104 RAMP\_CTRL (book=0x00 page=0x02 address=0x06) [reset=0h]**

Class-D Ramp Control

**Figure 146. RAMP\_CTRL Register Address: 0x06**

7	6	5	4	3	2	1	0
Reserved		RAMP_FREQ[1:0]		Reserved		RAMP_FREQMOD[1:0]	
RW-0h		RW-0h		RW-0h		RW-0h	

LEGEND: R/W = Read/Write; R = Read only; -n = value after reset

**Table 126. Class-D Ramp Control Field Descriptions**

Bit	Field	Type	Reset	Description
7-6	Reserved	RW	0h	Reserved
5-4	RAMP_FREQ[1:0]	RW	0h	Rampgen frequency is 0 = 384kHz, use this for Fs of 48kpsps and its multiples 1 = 352.8kHz, Use this for Fs of 44.1kpsps and its multiples 2 = Reserved
3-2	Reserved	RW	0h	Reserved
1-0	RAMP_FREQMOD[1:0]	RW	0h	When SSM is enabled the ramp is modulated by 0 = Reserved 1 = +-5 % 2 = +-10 % 3 = Reserved

**9.6.2.105 PROTECTION\_CFG (book=0x00 page=0x02 address=0x09) [reset=3h]**

Configures the Devices Protection Blocks

**Figure 147. PROTECTION\_CFG Register Address: 0x09**

7	6	5	4	3	2	1	0
Reserved	Reserved	Reserved	Reserved	Reserved	OT_RT	Reserved	Reserved
RW-0h	RW-0h	RW-0h	RW-0h	RW-0h	RW-0h	RW-1h	RW-1h

LEGEND: R/W = Read/Write; R = Read only; -n = value after reset

**Table 127. Configures the Devices Protection Blocks Field Descriptions**

Bit	Field	Type	Reset	Description
7	Reserved	RW	0h	Reserved
6	Reserved	RW	0h	Reserved
5	Reserved	RW	0h	Reserved
4	Reserved	RW	0h	Reserved
3	Reserved	RW	0h	Reserved
2	OT_RT	RW	0h	Die over-temperature retry is 0 = Enabled 1 = Disabled
1	Reserved	RW	1h	Reserved
0	Reserved	RW	1h	Reserved

## 10 Application and Implementation

### NOTE

Information in the following applications sections is not part of the TI component specification, and TI does not warrant its accuracy or completeness. TI's customers are responsible for determining suitability of components for their purposes. Customers should validate and test their design implementation to confirm system functionality.

### 10.1 Application Information

The TAS2557 is a digital input high efficiency Class-D audio power amplifier with advanced battery current management and an integrated Class-H boost converter. In auto-passthrough mode, the Class-H boost converter generates the Class-D amplifier supply rail. During low Class-D output power, the boost improves efficiency by deactivating and connecting VBAT directly to the Class-D amplifier supply. When high power audio is required, the boost quickly activates to provide louder audio than a stand-alone amplifier connected directly to the battery. To enable load monitoring, the TAS2557 constantly measures the current and voltage across the load and provides a digital stream of this information back to a processor.

### 10.2 Typical Application

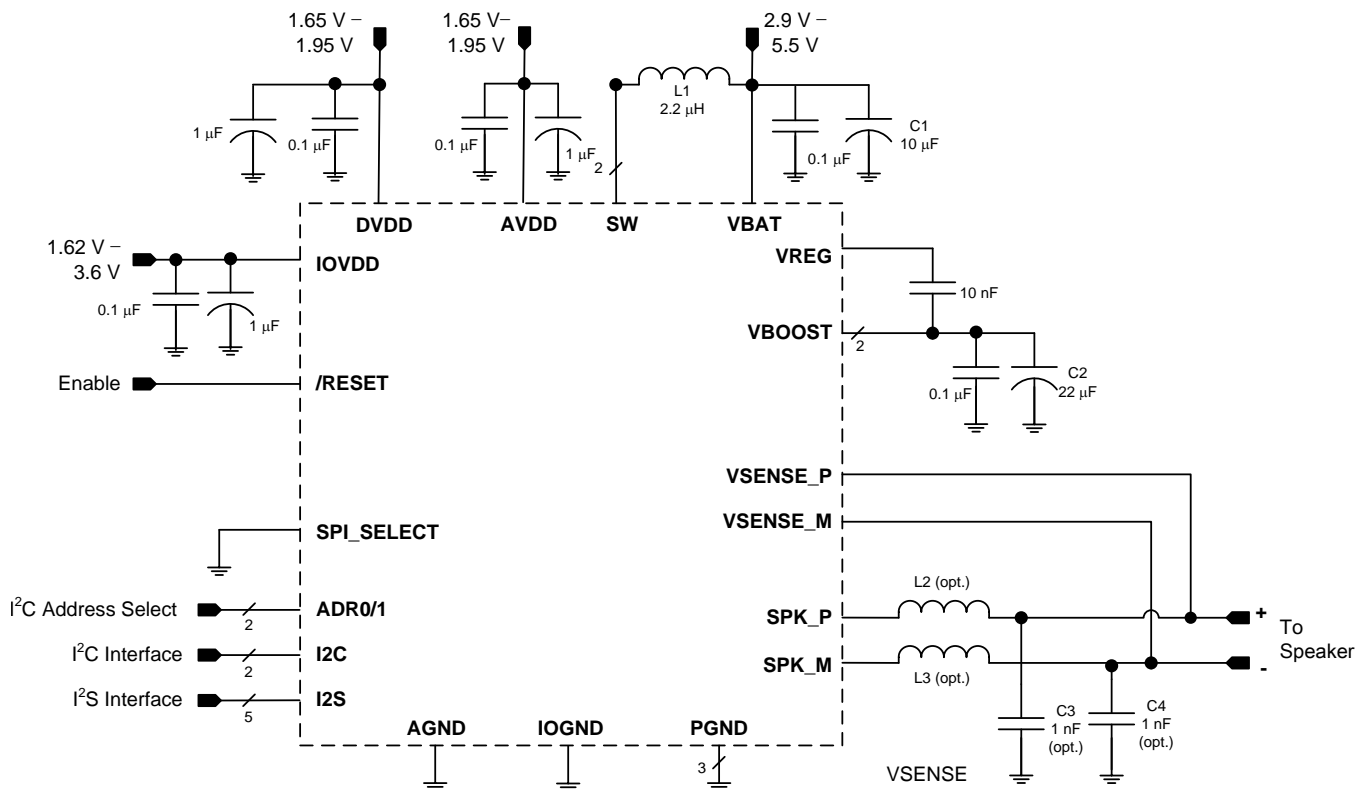


Figure 148. Typical Application - Digital Audio Input



## Typical Application (continued)

**Table 128. Recommended External Components**

COMPONENT	DESCRIPTION	SPECIFICATION	MIN	TYP	MAX	UNIT
L1	Boost Converter Inductor	Inductance, 20% Tolerance	1	2.2		μH
		Saturation Current		3.1		A
L2, L3	EMI Filter Inductors (optional). These are not recommended as it degrades THD+N performance. The TAS2557 device is a filter-less Class-D and does not require these bead inductors.	Impedance at 100MHz		120		Ω
		DC Resistance			0.095	Ω
		DC Current			2	A
		Size		0402		EIA
C1	Boost Converter Input Capacitor	Capacitance, 20% Tolerance	10			μF
C2	Boost Converter Output Capacitor	Type	X5R			
		Capacitance, 20% Tolerance	22		47	μF
		Rated Voltage	16			V
		Capacitance at 8.5 V derating	3.3			μF
C3, C4	EMI Filter Capacitors (optional, must use L2, L3 if C3, C4 used)	Capacitance		1		nF

### 10.2.1 Design Requirements

For this design example, use the parameters shown in [Table 129](#).

**Table 129. Design Parameters**

DESIGN PARAMETER	EXAMPLE VALUE
Audio Input	Digital Audio, I <sup>2</sup> S
Current and Voltage Data Stream	Digital Audio, I <sup>2</sup> S
Mono or Stereo Configuration	Mono
Max Output Power at 1% THD+N	3.8 W

### 10.2.2 Detailed Design Procedure

#### 10.2.2.1 Mono/Stereo Configuration

In this application, the device is assumed to be operating in mono mode. See [General I<sup>2</sup>C Operation](#) for information on changing the I<sup>2</sup>C address of the TAS2557 to support stereo operation. Mono or stereo configuration does not impact the device performance.

#### 10.2.2.2 Boost Converter Passive Devices

The boost converter requires three passive devices that are labeled L1, C1 and C2 in [Figure 148](#) and whose specifications are provided in [Table 128](#). These specifications are based on the design of the TAS2557 and are necessary to meet the performance targets of the device. In particular, L1 should not be allowed to enter in the current saturation region. The saturation current for L1 should be > ILIM to deliver Class-D peak power.

Additionally, the ratio of L1/C2 (the derated value of C2 at 8.5 V should be used in this ratio) has to be lesser than 1/3 for boost stability. This 1/3 ratio should be maintained including the worst case variation of L1 and C2. To satisfy sufficient energy transfer, L1 needs to be >= 1μH at the boost switching frequency (~1.7 MHz). Using a 1μH will have more boost ripple than a 2.2μH but the PSRR should minimize the effect from the additional ripple. Finally, the minimum C2 (derated value at 8.5 V) should be > 3.3μF for Class-D power delivery specification.

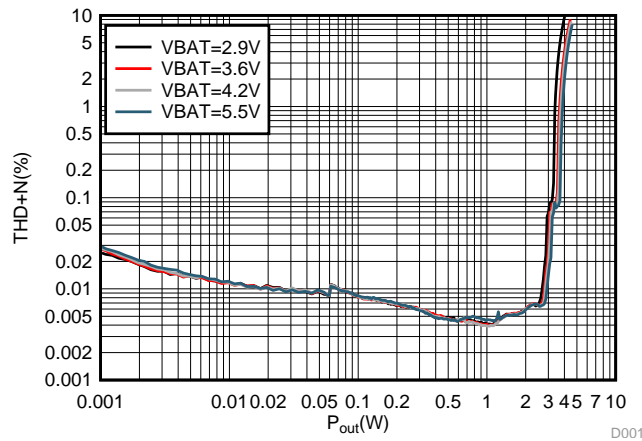
#### 10.2.2.3 EMI Passive Devices

The TAS2557 supports edge-rate control to minimize EMI, but the system designer may want to include passive devices on the Class-D output devices. These passive devices that are labeled L2, L3, C3 and C4 in [Figure 148](#) and their recommended specifications are provided in [Table 128](#). If C3 and C4 are used, they must be placed after L2 and L3 respectively to maintain the stability of the output stage.

### 10.2.2.4 Miscellaneous Passive Devices

- VREG Capacitor: Needs to be 10 nF to meet boost and Class-D power delivery and efficiency specs.

### 10.2.3 Application Curve



Freq = 1kHz VBAT = 3.6 V, AVDD = IOVDD = 1.8 V,  $\overline{\text{RESET}}$  = IOVDD,  $R_L = 8 \Omega + 33 \mu\text{H}$ , I2S digital input, ROM mode 1

**Figure 149. THD+N vs Output Power (8  $\Omega$ ) for Digital Input**

### 10.3 Initialization Setup

To configure the TAS2557, follow these steps.

1. Bring-up the power supplies as in [Power Supply Sequencing](#).
2. Set the /RESET terminal to HIGH.
3. Follow the software sequence in section [Device Power Up and Unmute Sequence](#)

## 11 Power Supply Recommendations

### 11.1 Power Supplies

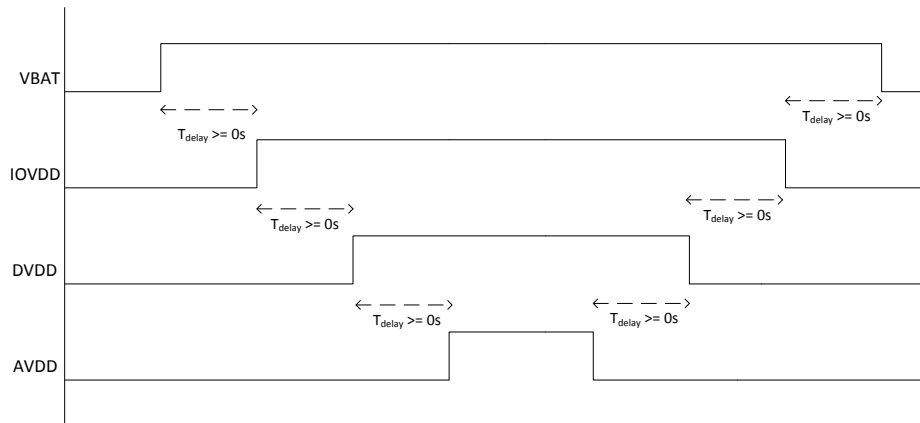
The TAS2557 requires four power supplies:

- Boost Input (terminal: VBAT)
  - Voltage: 2.9 V to 5.5 V
  - Max Current: 5 A for ILIM = 3.0 A (default)
- Analog Supply (terminal: AVDD)
  - Voltage: 1.65 V to 1.95 V
  - Max Current: 30 mA
- Digital Supply (terminal: DVDD)
  - Voltage: 1.65 V to 1.95 V
  - Max Current: 50 mA
- Digital I/O Supply (terminal: IOVDD)
  - Voltage: 1.62 V to 3.6 V
  - Max Current: 5 mA

The decoupling capacitors for the power supplies should be placed close to the device terminals. For VBAT, IOVDD, DVDD and AVDD, a small decoupling capacitor of 0.1  $\mu$ F should be placed close to the device terminals. Refer to [Figure 148](#) for the schematic.

### 11.2 Power Supply Sequencing

The following power sequence should be followed for power up and power down. If the recommended sequence is not followed there can be large current in device due to faults in level shifters and diodes becoming forward biased. The  $T_{\text{delay}}$  between power supplies should be large enough for the power rails to settle.



**Figure 150. Power Supply Sequence for Power-Up and Power-Down**

When the supplies have settled, the /RESET terminal can be set HIGH to operate the device. Additionally the /RESET pin can be tied to IOVDD and the internal DVDD POR will perform a reset of the device. After a hardware or software reset additional commands to the device should be delayed for 100 $\mu$ s to allow the OTP to load. The above sequence should be completed before any I<sup>2</sup>C operation.

## 12 Layout

### 12.1 Layout Guidelines

- Place the boost inductor between VBAT and SW close to device terminals with no VIAS between the device terminals and the inductor.
- Place the capacitor between VREG and VBOOST close to device terminals with no VIAS between the device terminals and capacitor.
- Place the capacitor between VBOOST/VBAT and GND close to device terminals with no VIAS between the device terminals and capacitor.
- Do not use VIAS for traces that carry high current. These include the traces for VBOOST, SW, VBAT, PGND and the speaker SPK\_P, SPK\_M.
- Use epoxy filled vias for the interior pads.
- Connect VSENSE+, VSENSE- as close as possible to the speaker.
  - VSENSE+, VSENSE- should be connected between the EMI ferrite filter and the speaker if EMI ferrites are used on SPK\_P, SPK\_M.
- Use a ground plane with multiple vias for each terminal to create a low-impedance connection to GND for minimum ground noise.
- Use supply decoupling capacitors as shown in [Figure 148](#) and described in [Power Supply Recommendations](#).
- Place EMI ferrites, if used, close to the device.

## 12.2 Layout Example

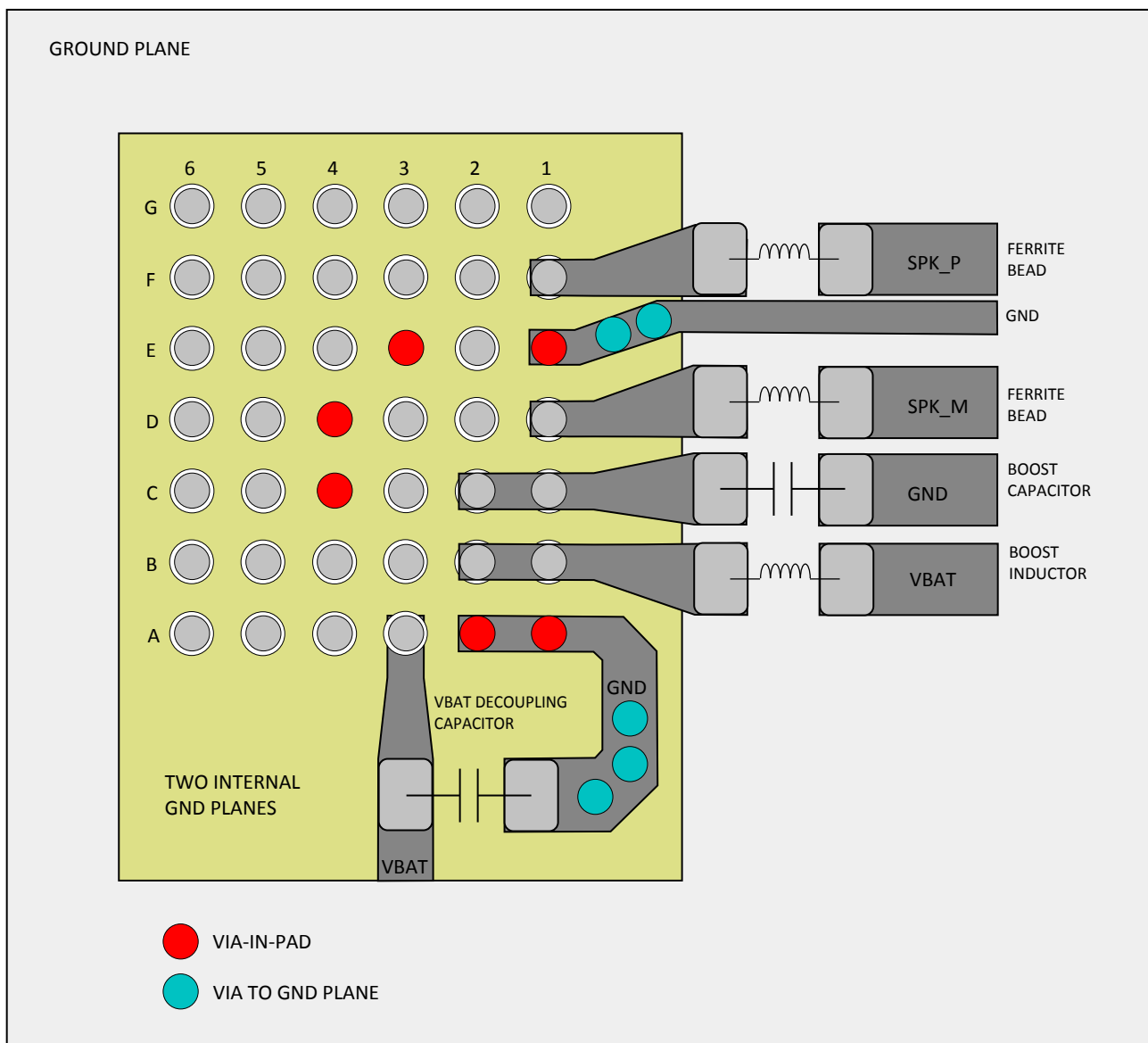


Figure 151. TAS2557 Board Layout

## 13 Device and Documentation Support

### 13.1 Documentation Support

### 13.2 Community Resources

The following links connect to TI community resources. Linked contents are provided "AS IS" by the respective contributors. They do not constitute TI specifications and do not necessarily reflect TI's views; see TI's [Terms of Use](#).

**TI E2E™ Online Community** *TI's Engineer-to-Engineer (E2E) Community*. Created to foster collaboration among engineers. At [e2e.ti.com](http://e2e.ti.com), you can ask questions, share knowledge, explore ideas and help solve problems with fellow engineers.

**Design Support** *TI's Design Support* Quickly find helpful E2E forums along with design support tools and contact information for technical support.

### 13.3 Trademarks

PurePath, E2E are trademarks of Texas Instruments.  
All other trademarks are the property of their respective owners.

### 13.4 Electrostatic Discharge Caution



These devices have limited built-in ESD protection. The leads should be shorted together or the device placed in conductive foam during storage or handling to prevent electrostatic damage to the MOS gates.

### 13.5 Glossary

[SLYZ022](#) — *TI Glossary*.

This glossary lists and explains terms, acronyms, and definitions.

## 14 Mechanical, Packaging, and Orderable Information

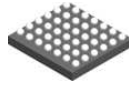
The following pages include mechanical, packaging, and orderable information. This information is the most current data available for the designated devices. This data is subject to change without notice and revision of this document. For browser-based versions of this data sheet, refer to the left-hand navigation.

### 14.1 Package Dimensions

The TAS2557 uses a 42-ball, 0.5-mm pitch DSBGA package.

**Package Dimensions (continued)**

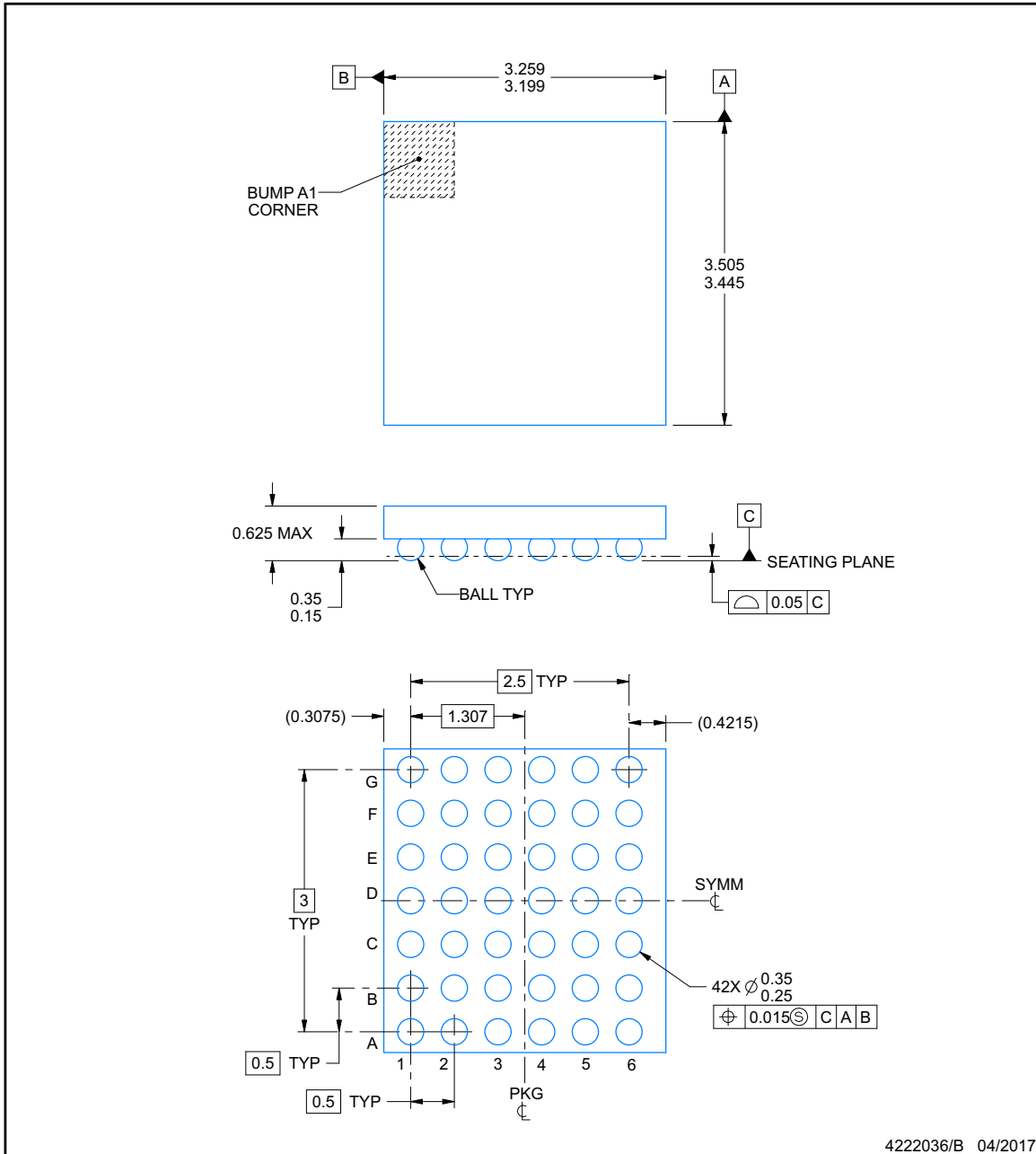
TAS255xYZ, SN\_\_\_\_255xYZ  
**YZ0042-C01**



**PACKAGE OUTLINE**

**DSBGA - 0.625 mm max height**

DIE SIZE BALL GRID ARRAY



**NOTES:**

1. All linear dimensions are in millimeters. Any dimensions in parenthesis are for reference only. Dimensioning and tolerancing per ASME Y14.5M.
2. This drawing is subject to change without notice.

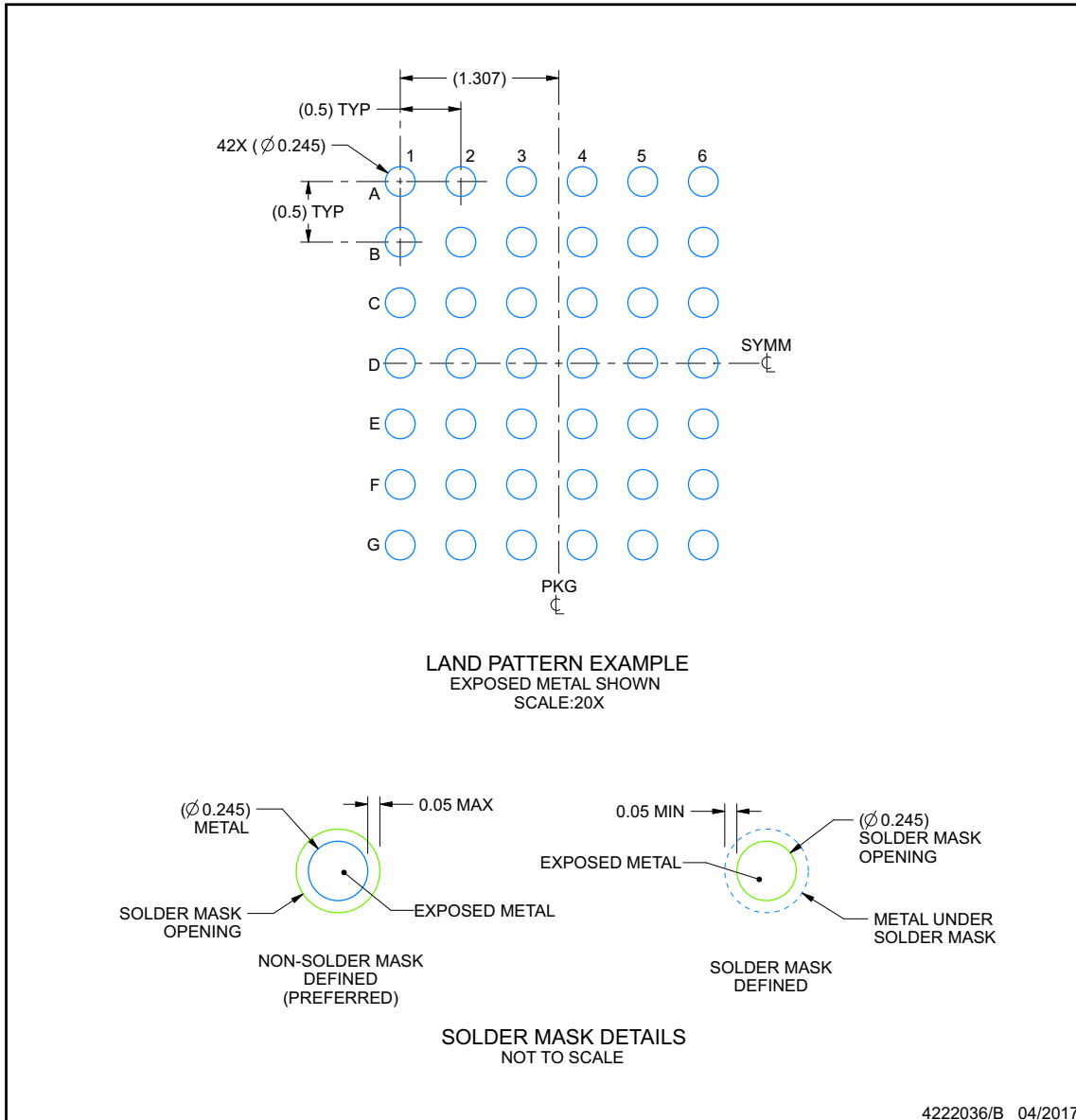
**Package Dimensions (continued)**

TAS255xYZ, SN\_\_\_\_255xYZ  
**YZ0042-C01**

**EXAMPLE BOARD LAYOUT**

**DSBGA - 0.625 mm max height**

DIE SIZE BALL GRID ARRAY



NOTES: (continued)

- Final dimensions may vary due to manufacturing tolerance considerations and also routing constraints. For more information, see Texas Instruments literature number SNVA009 ([www.ti.com/lit/snva009](http://www.ti.com/lit/snva009)).



**Package Dimensions (continued)**

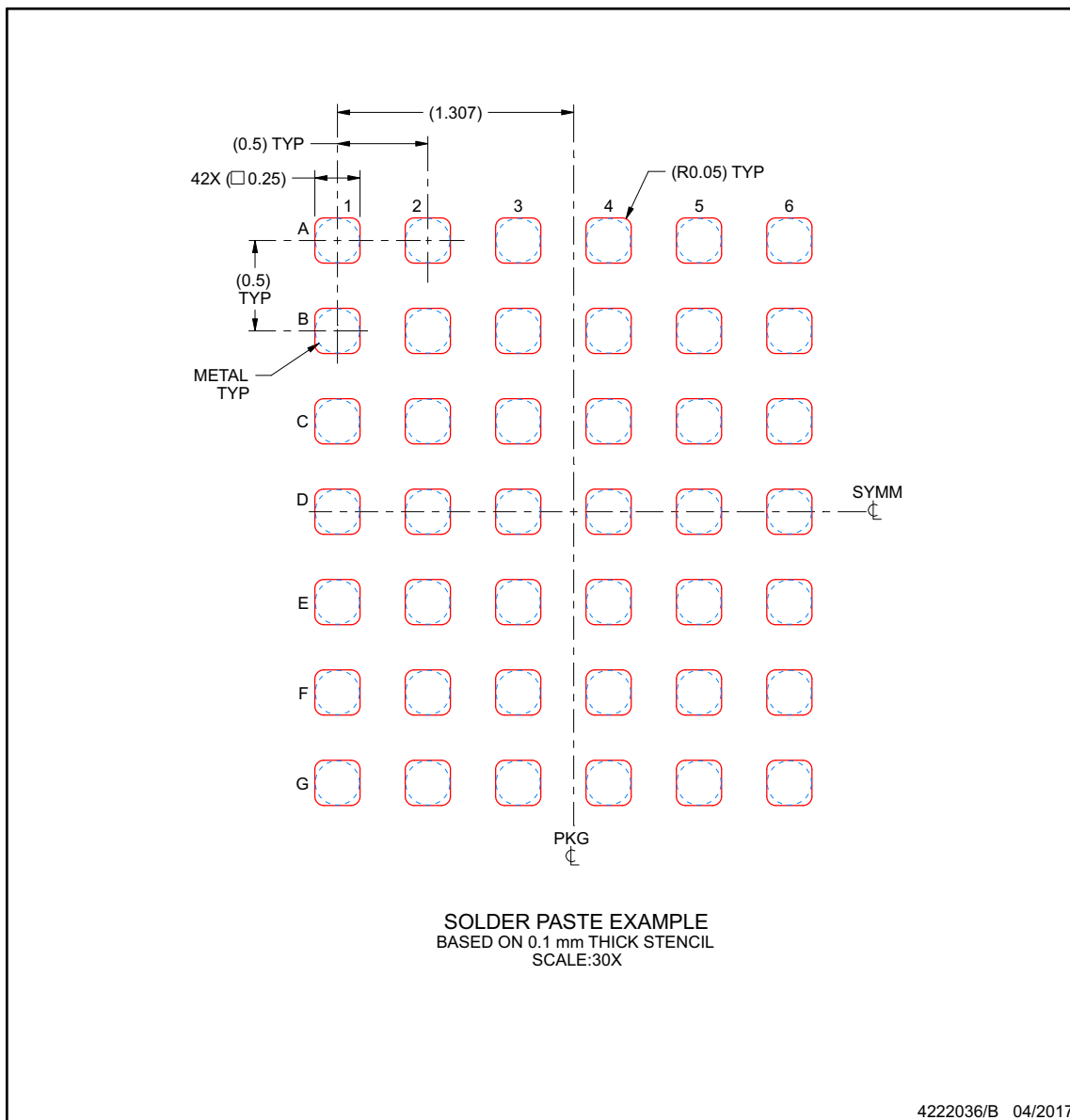
TAS255xYZ, SN\_\_\_\_255xYZ

**EXAMPLE STENCIL DESIGN**

**YZ0042-C01**

**DSBGA - 0.625 mm max height**

DIE SIZE BALL GRID ARRAY



NOTES: (continued)

- 4. Laser cutting apertures with trapezoidal walls and rounded corners may offer better paste release.

**PACKAGING INFORMATION**

Orderable Device	Status (1)	Package Type	Package Drawing	Pins	Package Qty	Eco Plan (2)	Lead finish/ Ball material (6)	MSL Peak Temp (3)	Op Temp (°C)	Device Marking (4/5)	Samples
TAS2557YZR	ACTIVE	DSBGA	YZ	42	3000	RoHS & Green	SNAGCU	Level-1-260C-UNLIM	-40 to 85	2557	<a href="#">Samples</a>
TAS2557YZT	ACTIVE	DSBGA	YZ	42	250	RoHS & Green	SNAGCU	Level-1-260C-UNLIM	-40 to 85	2557	<a href="#">Samples</a>

(1) The marketing status values are defined as follows:

**ACTIVE:** Product device recommended for new designs.

**LIFEBUY:** TI has announced that the device will be discontinued, and a lifetime-buy period is in effect.

**NRND:** Not recommended for new designs. Device is in production to support existing customers, but TI does not recommend using this part in a new design.

**PREVIEW:** Device has been announced but is not in production. Samples may or may not be available.

**OBsolete:** TI has discontinued the production of the device.

(2) **RoHS:** TI defines "RoHS" to mean semiconductor products that are compliant with the current EU RoHS requirements for all 10 RoHS substances, including the requirement that RoHS substance do not exceed 0.1% by weight in homogeneous materials. Where designed to be soldered at high temperatures, "RoHS" products are suitable for use in specified lead-free processes. TI may reference these types of products as "Pb-Free".

**RoHS Exempt:** TI defines "RoHS Exempt" to mean products that contain lead but are compliant with EU RoHS pursuant to a specific EU RoHS exemption.

**Green:** TI defines "Green" to mean the content of Chlorine (Cl) and Bromine (Br) based flame retardants meet JS709B low halogen requirements of <=1000ppm threshold. Antimony trioxide based flame retardants must also meet the <=1000ppm threshold requirement.

(3) MSL, Peak Temp. - The Moisture Sensitivity Level rating according to the JEDEC industry standard classifications, and peak solder temperature.

(4) There may be additional marking, which relates to the logo, the lot trace code information, or the environmental category on the device.

(5) Multiple Device Markings will be inside parentheses. Only one Device Marking contained in parentheses and separated by a "~" will appear on a device. If a line is indented then it is a continuation of the previous line and the two combined represent the entire Device Marking for that device.

(6) Lead finish/Ball material - Orderable Devices may have multiple material finish options. Finish options are separated by a vertical ruled line. Lead finish/Ball material values may wrap to two lines if the finish value exceeds the maximum column width.

**Important Information and Disclaimer:**The information provided on this page represents TI's knowledge and belief as of the date that it is provided. TI bases its knowledge and belief on information provided by third parties, and makes no representation or warranty as to the accuracy of such information. Efforts are underway to better integrate information from third parties. TI has taken and continues to take reasonable steps to provide representative and accurate information but may not have conducted destructive testing or chemical analysis on incoming materials and chemicals. TI and TI suppliers consider certain information to be proprietary, and thus CAS numbers and other limited information may not be available for release.

In no event shall TI's liability arising out of such information exceed the total purchase price of the TI part(s) at issue in this document sold by TI to Customer on an annual basis.



**TAPE AND REEL INFORMATION**

**QUADRANT ASSIGNMENTS FOR PIN 1 ORIENTATION IN TAPE**


\*All dimensions are nominal

Device	Package Type	Package Drawing	Pins	SPQ	Reel Diameter (mm)	Reel Width W1 (mm)	A0 (mm)	B0 (mm)	K0 (mm)	P1 (mm)	W (mm)	Pin1 Quadrant
TAS2557YZR	DSBGA	YZ	42	3000	330.0	12.4	3.4	3.75	0.82	8.0	12.0	Q1
TAS2557YZR	DSBGA	YZ	42	3000	330.0	12.4	3.4	3.75	0.82	8.0	12.0	Q1
TAS2557YZT	DSBGA	YZ	42	250	330.0	12.4	3.4	3.75	0.82	8.0	12.0	Q1
TAS2557YZT	DSBGA	YZ	42	250	330.0	12.4	3.4	3.75	0.82	8.0	12.0	Q1

**TAPE AND REEL BOX DIMENSIONS**


\*All dimensions are nominal

Device	Package Type	Package Drawing	Pins	SPQ	Length (mm)	Width (mm)	Height (mm)
TAS2557YZR	DSBGA	YZ	42	3000	367.0	367.0	35.0
TAS2557YZR	DSBGA	YZ	42	3000	380.0	380.0	50.0
TAS2557YZT	DSBGA	YZ	42	250	380.0	380.0	50.0
TAS2557YZT	DSBGA	YZ	42	250	367.0	367.0	35.0

## IMPORTANT NOTICE AND DISCLAIMER

TI PROVIDES TECHNICAL AND RELIABILITY DATA (INCLUDING DATA SHEETS), DESIGN RESOURCES (INCLUDING REFERENCE DESIGNS), APPLICATION OR OTHER DESIGN ADVICE, WEB TOOLS, SAFETY INFORMATION, AND OTHER RESOURCES "AS IS" AND WITH ALL FAULTS, AND DISCLAIMS ALL WARRANTIES, EXPRESS AND IMPLIED, INCLUDING WITHOUT LIMITATION ANY IMPLIED WARRANTIES OF MERCHANTABILITY, FITNESS FOR A PARTICULAR PURPOSE OR NON-INFRINGEMENT OF THIRD PARTY INTELLECTUAL PROPERTY RIGHTS.

These resources are intended for skilled developers designing with TI products. You are solely responsible for (1) selecting the appropriate TI products for your application, (2) designing, validating and testing your application, and (3) ensuring your application meets applicable standards, and any other safety, security, regulatory or other requirements.

These resources are subject to change without notice. TI grants you permission to use these resources only for development of an application that uses the TI products described in the resource. Other reproduction and display of these resources is prohibited. No license is granted to any other TI intellectual property right or to any third party intellectual property right. TI disclaims responsibility for, and you will fully indemnify TI and its representatives against, any claims, damages, costs, losses, and liabilities arising out of your use of these resources.

TI's products are provided subject to [TI's Terms of Sale](#) or other applicable terms available either on [ti.com](https://www.ti.com) or provided in conjunction with such TI products. TI's provision of these resources does not expand or otherwise alter TI's applicable warranties or warranty disclaimers for TI products.

TI objects to and rejects any additional or different terms you may have proposed.

Mailing Address: Texas Instruments, Post Office Box 655303, Dallas, Texas 75265  
Copyright © 2023, Texas Instruments Incorporated