

PRODUCT NO	DIM L	PLATING	RECOMMENDED P.C. BOARD THICKNESS	PRODUCT NO	PLATING
10022676-00ILF	2.70	NOTE 2	1.57mm (0.062") / 2.36mm (0.093")	10022676-001	NOTE 5
10022676-01ILF	3.70			10022676-011	

HOLE	A	REMARK
Hole Diameter after plating	0.45 - 0.55 mm	FOR -XXX & -XXXLF
Drilled hole	0.58 - 0.62 mm	
Copper plating	25 - 50 μm	
Sn Plating	5 - 15 μm	FOR -XXXLF ONLY
Sn-Pd Plating	5 - 15 μm	FOR -XXX ONLY

A

B

C

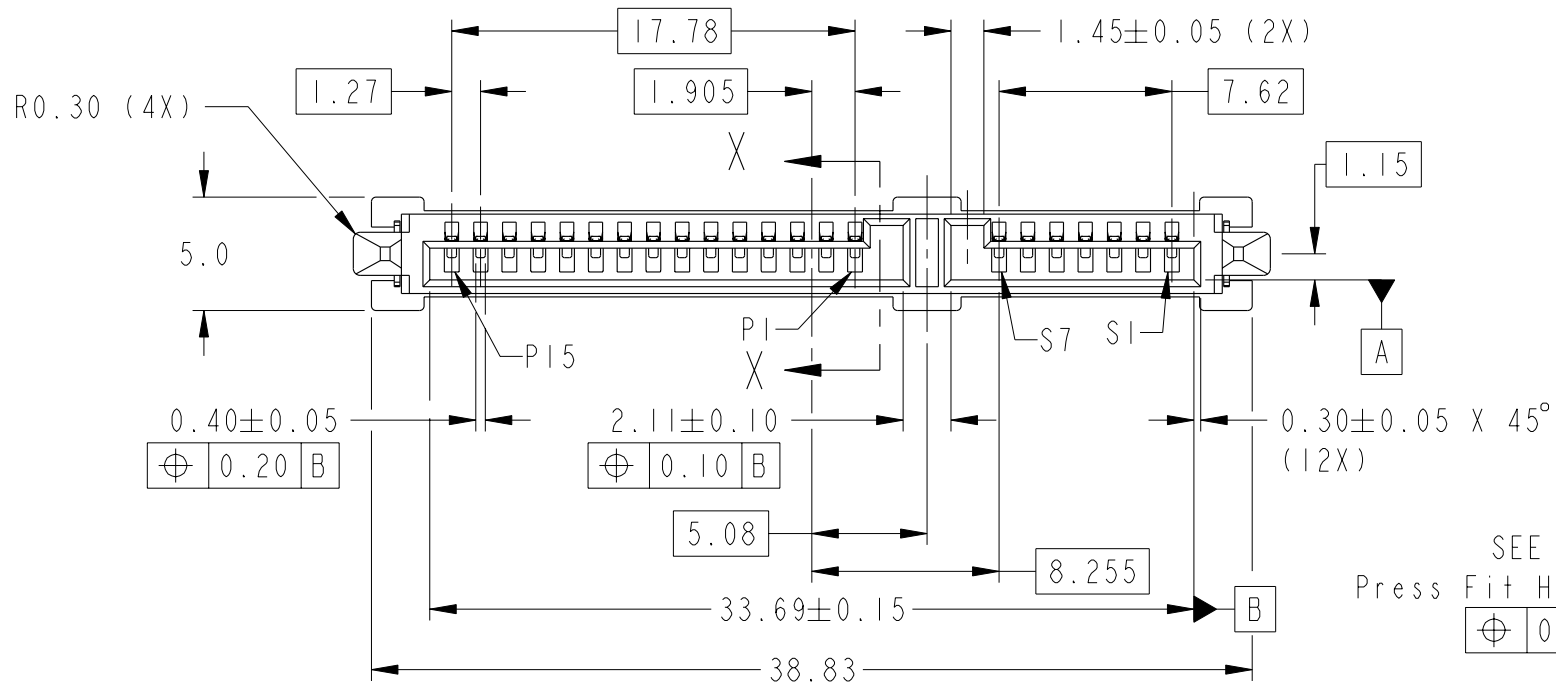
D

A

B

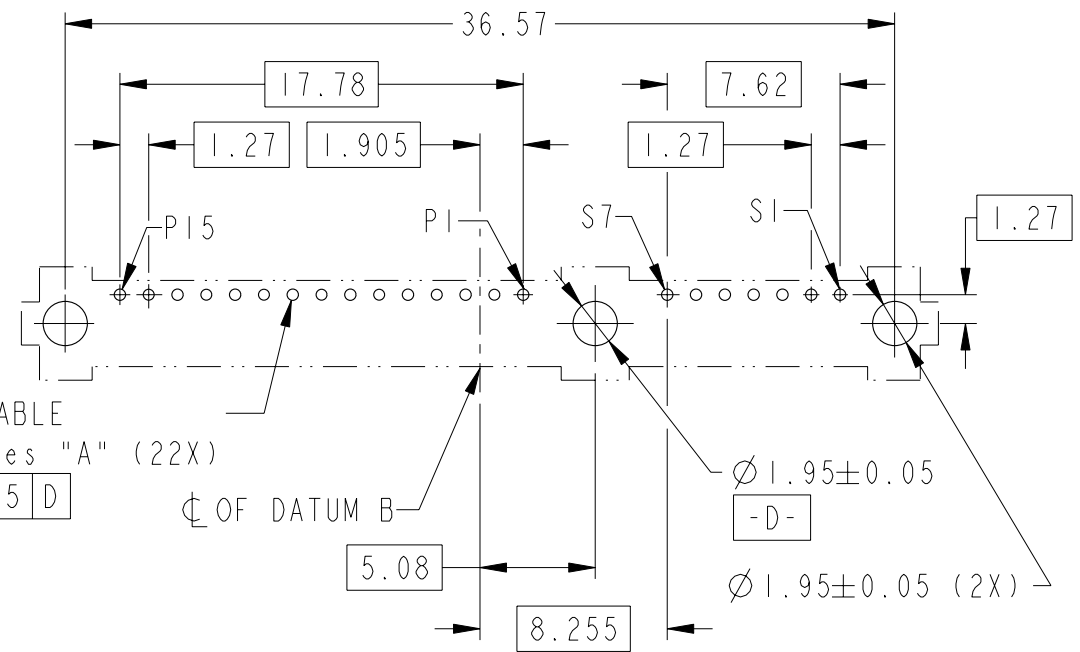
C

D

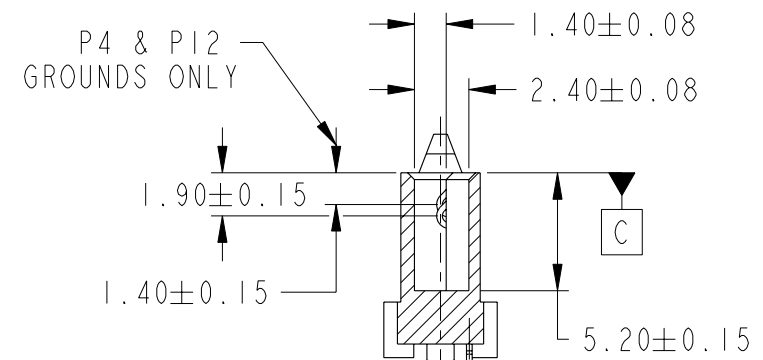
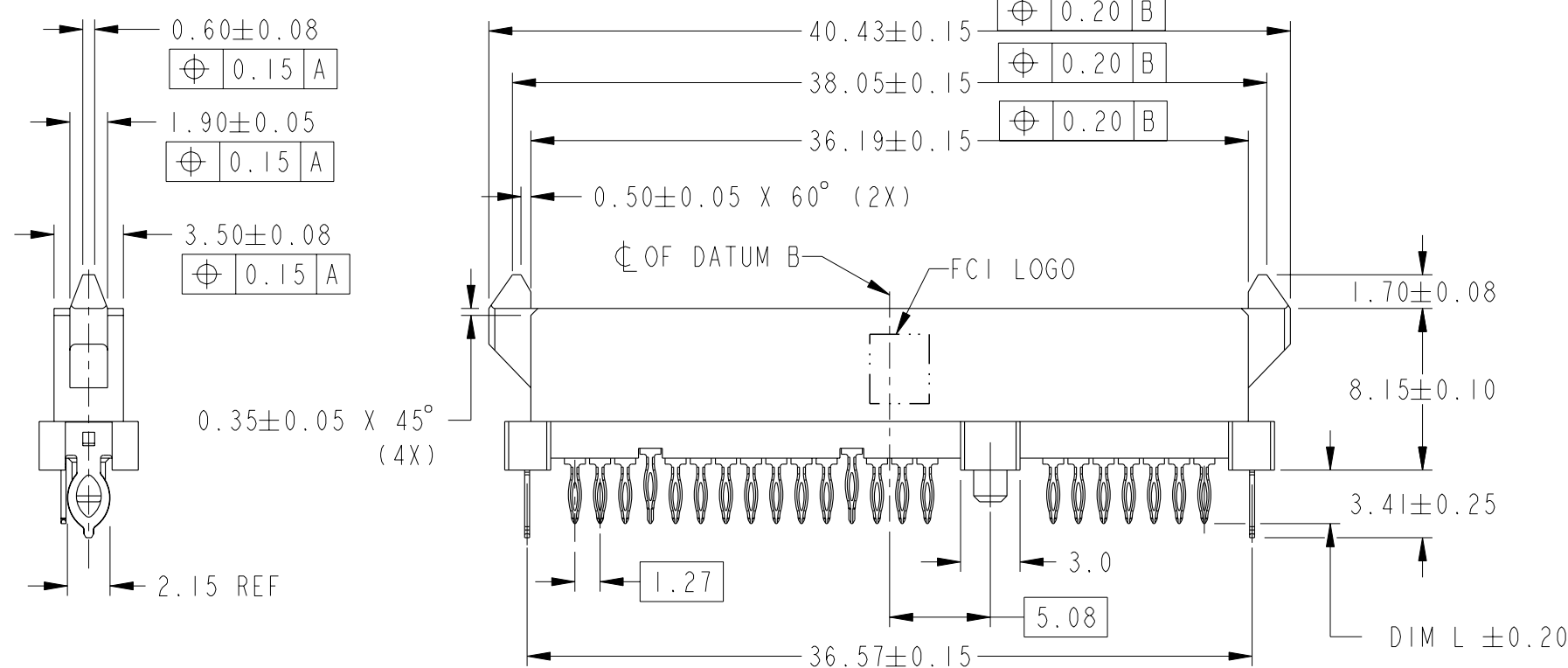


SEE TABLE  
Press Fit Holes "A" (22X)  

Ø	0.05	D
---	------	---



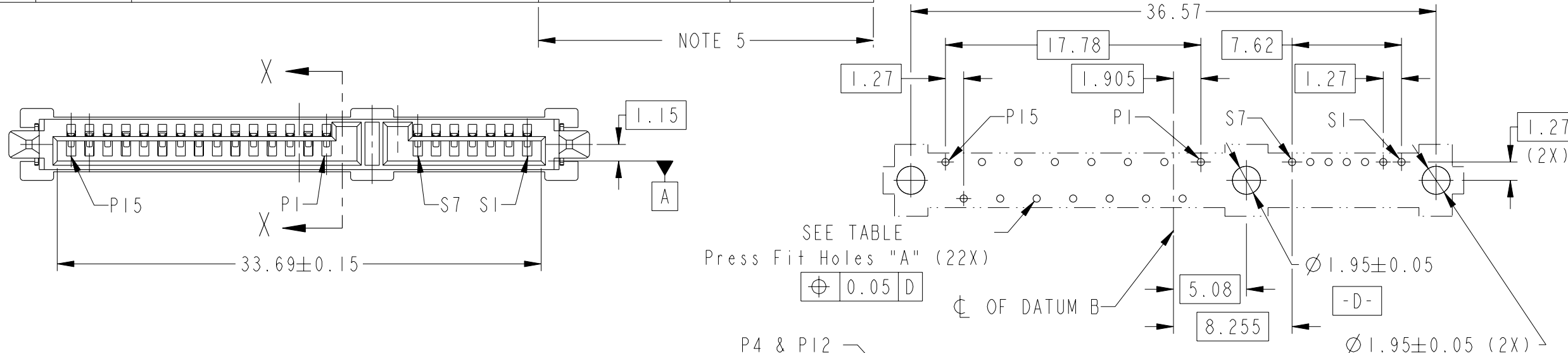
**RECOMMENDED P.C.B. LAYOUT**



**SECTION X-X**

spec ref	-	dr	GL LOO	2004-10-05	projection	MM	size	A3	scale	3:1		
tolerance std	ISO 406 ISO 1101	eng	GL LOO	2004-10-05			ecn no	S10-0228	rel level	-		
	TOLERANCES UNLESS OTHERWISE SPECIFIED	chr	GL LOO	2010-10-28								
surface	ISO 1302	appr	JOEY NG	2010-10-28	product family	S-ATA	rel level	-				
	linear	0.X	± -		<b>S-ATA COMB RECEP.</b> <b>VERTICAL PF TYPE ASSY</b>	dwg no <b>10022676</b>	rev <b>F</b>	Product - Customer Drw		sheet 1 of 2		
	angular	0°	± 2°					cat. no.	-	PDS: Rev :F	STATUS:Released	Printed: Nov 01, 2011
								www.fci.com				

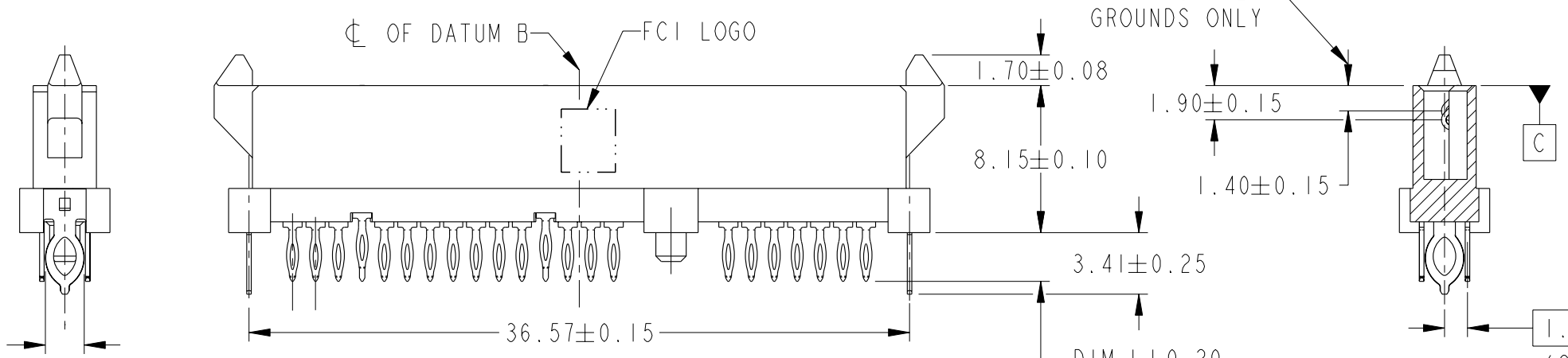
PRODUCT NO	DIM L	PLATING	RECOMMENDED P.C. BOARD THICKNESS	PRODUCT NO	PLATING
10022676-002LF	2.70	NOTE 2	1.57mm (0.062") / 2.36mm (0.093")	10022676-002	NOTE 5
10022676-012LF	3.70		2.36mm (0.093")	10022676-012	



SEE TABLE  
Press Fit Holes "A" (22X)

⌀	0.05	D
---	------	---

**RECOMMENDED P.C.B. LAYOUT**



NOTES :  
ALL OTHER DIMENSIONS REFER TO SHEET 1.

- NOTES:
- MATERIAL:
    - HOUSING : HIGH TEMP, THERMOPLASTIC, UL 94V-0  
COLOR : BLACK
    - TERMINAL : COPPER ALLOY
    - HOLD DOWN : COPPER ALLOY
  - FINISH : FOR XXXXXXXX-XXXLF
    - TERMINAL : 30μ" Au PLATING (CONTACT POINT) OVER 50μ" MIN NICKEL
    - SOLDER TAIL : 20μ" MIN-60μ" MAX TIN OVER 50μ" MIN NICKEL
    - HOLD DOWN : 50μ" MIN TIN OVER 50μ" MIN NICKEL
  - TRUE POSITION NOTES APPLY AT (L= 2.70MM) TERMINAL TIP
  - PER S-ATA SPEC REV 1.0a

- THE HOUSING WILL WITHSTAND EXPOSURE TO 260°C PEAK TEMPERATURE FOR 10 SECONDS IN CONVECTION, INFRA-RED OR VAPOR PHASE REFFLOW OVEN
- THIS PRODUCT MEETS EUROPEAN UNION DIRECTIVES AND OTHER COUNTRY REGULATIONS AS DESCRIBED IN GS-22-008
- PART NUMBERS ENDING IN "LF" MEANS FOR NOTE 7 LEAD FREE IDENTIFICATION
- A  $\triangle F$  SYMBOL WILL BE NEXT TO ANY DIMENSION, VIEW, OR NOTE WHICH HAS BEEN MODIFIED WITH THE CURRENT DRAWING REVISION.
- THE STD PACKAGING IS IN TRAY.
- NOTE 7 AND 8 DO NOT APPLY TO TIN LEAD PLATING P/N XXXXXXXX-XXX IN TABLE.

- FINISH : FOR XXXXXXXX-XXX
  - TERMINAL : 30μ" Au PLATING (CONTACT POINT) OVER 50μ" MIN NICKEL
  - SOLDER TAIL : 20μ" MIN-60μ" MAX TIN-LEAD OVER 50μ" MIN NICKEL
  - HOLD DOWN : 50μ" MIN TIN-LEAD OVER 50μ" MIN NICKEL

spec ref	-	dr	GL LOO	2004-10-05	projection	MM	size	A3	scale	3:1
tolerance std	ISO 406 ISO 1101	eng	GL LOO	2004-10-05			ecn no	S10-0228	rel level	-
TOLERANCES UNLESS OTHERWISE SPECIFIED		chr	GL LOO	2010-10-28						
surface	✓	appr	JOEY NG	2010-10-28	S-ATA COMB RECP. VERTICAL PF TYPE ASSY		dwg no	10022676	rev	F
ISO 1302	linear	0.X	±-		cat. no.		Product - Customer Drw		sheet 2 of 2	
		0.XX	±0.20							
	angular	0°	±2°							

Copyright FCI.