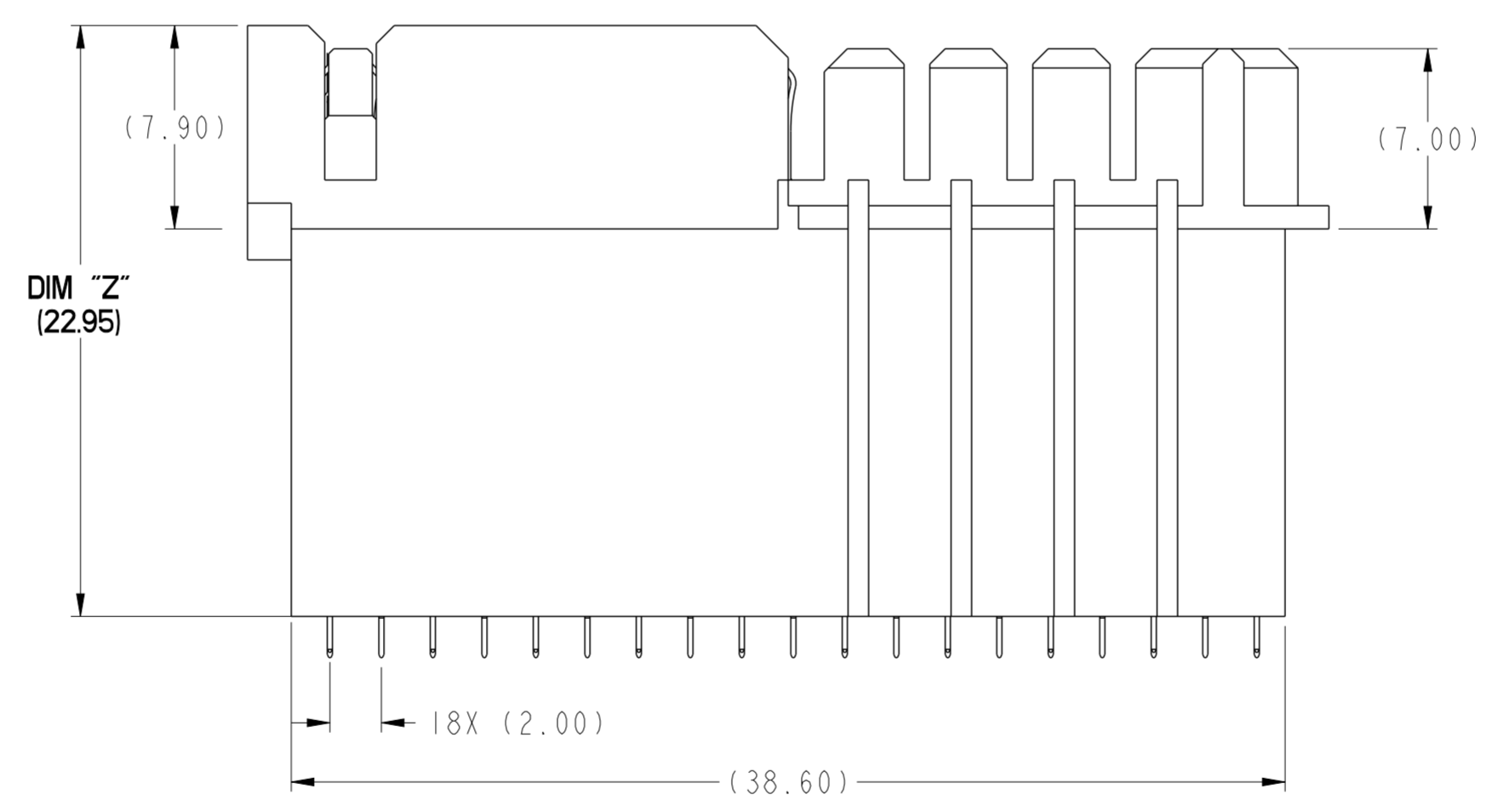
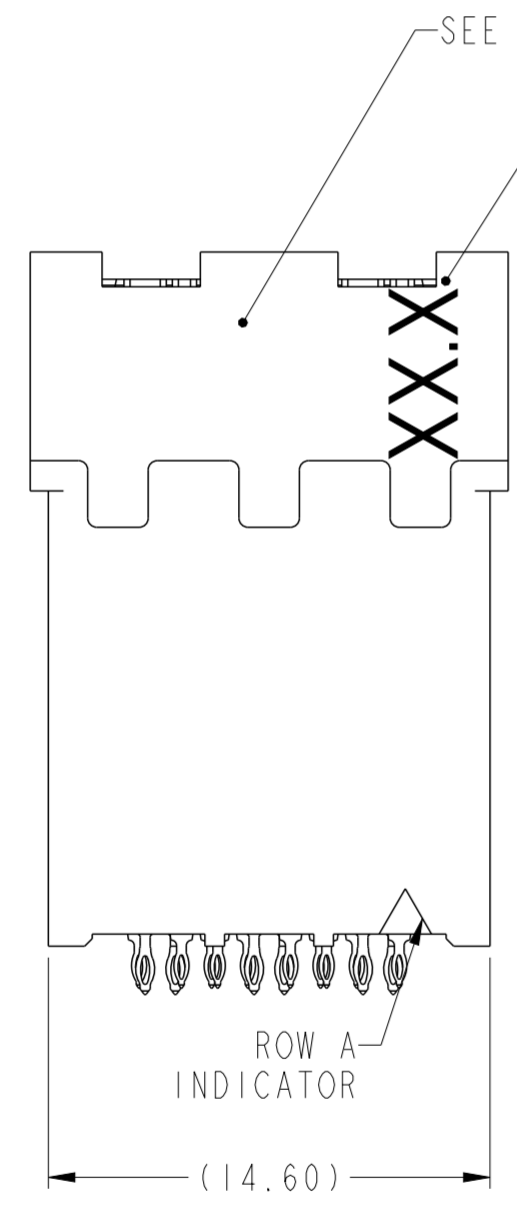
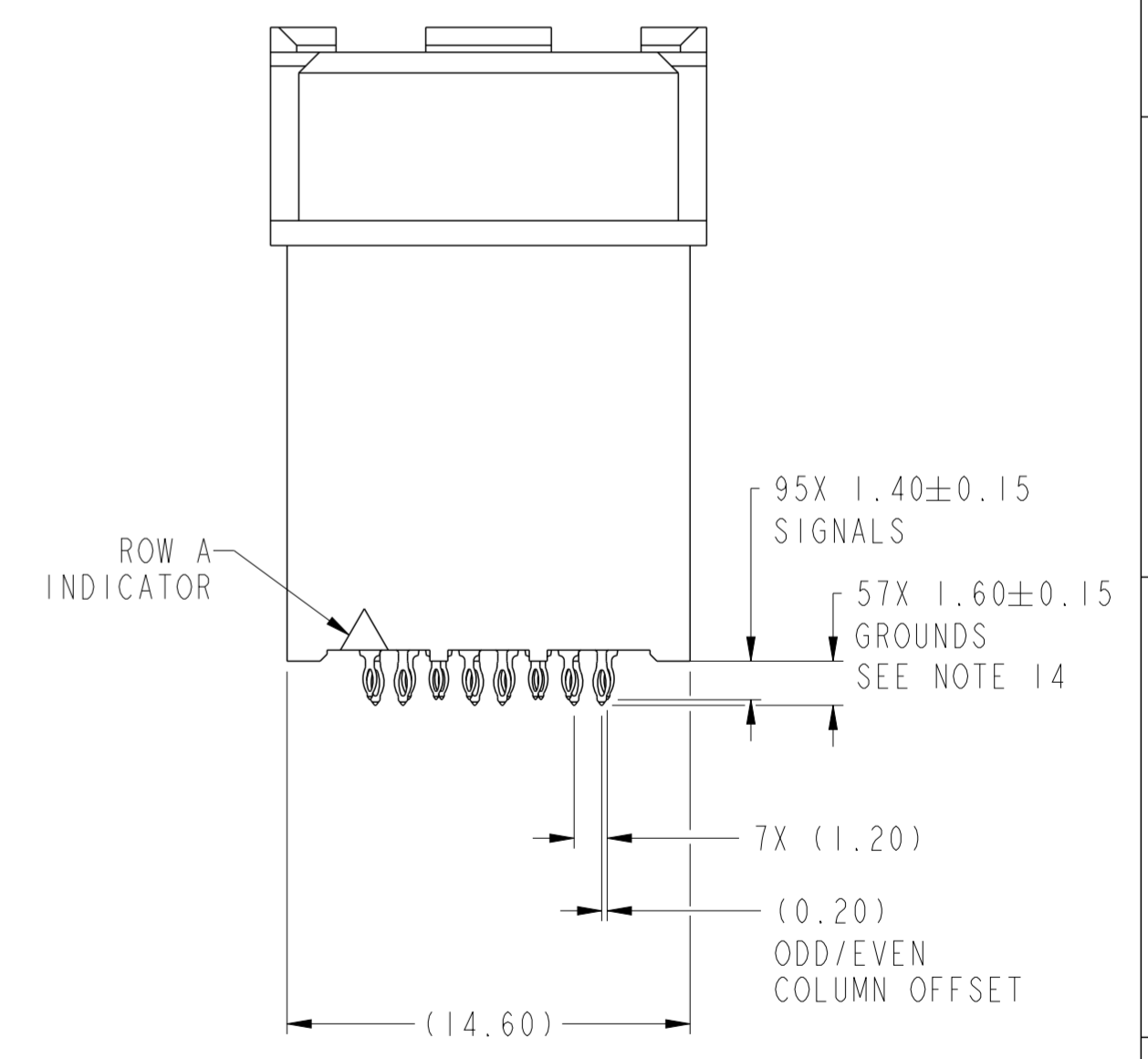


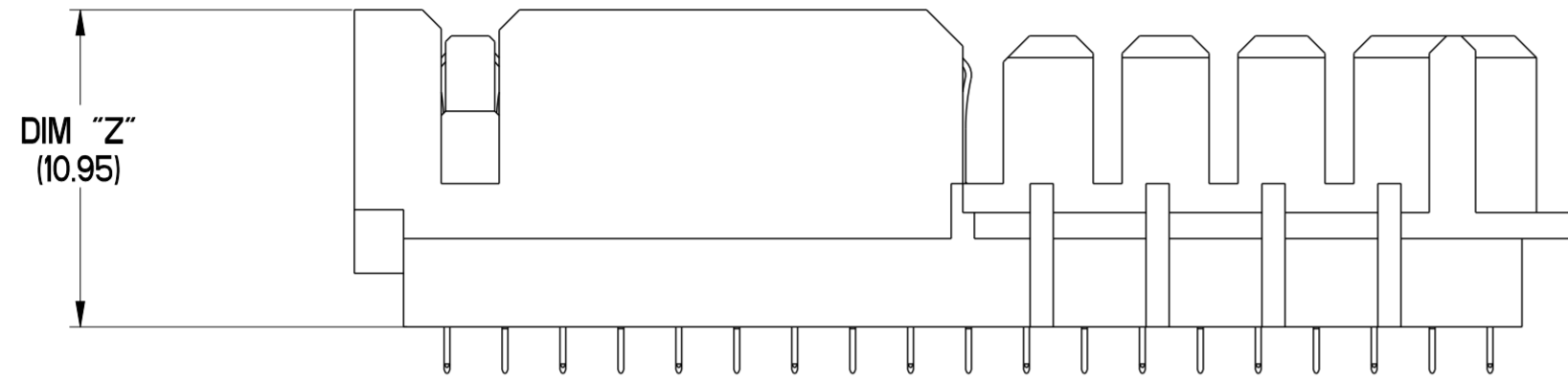
SCALE 2:1



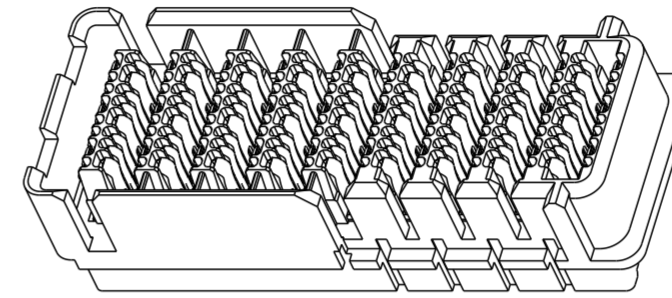
10127225-119500ULF SHOWN  
SCALE 4:1



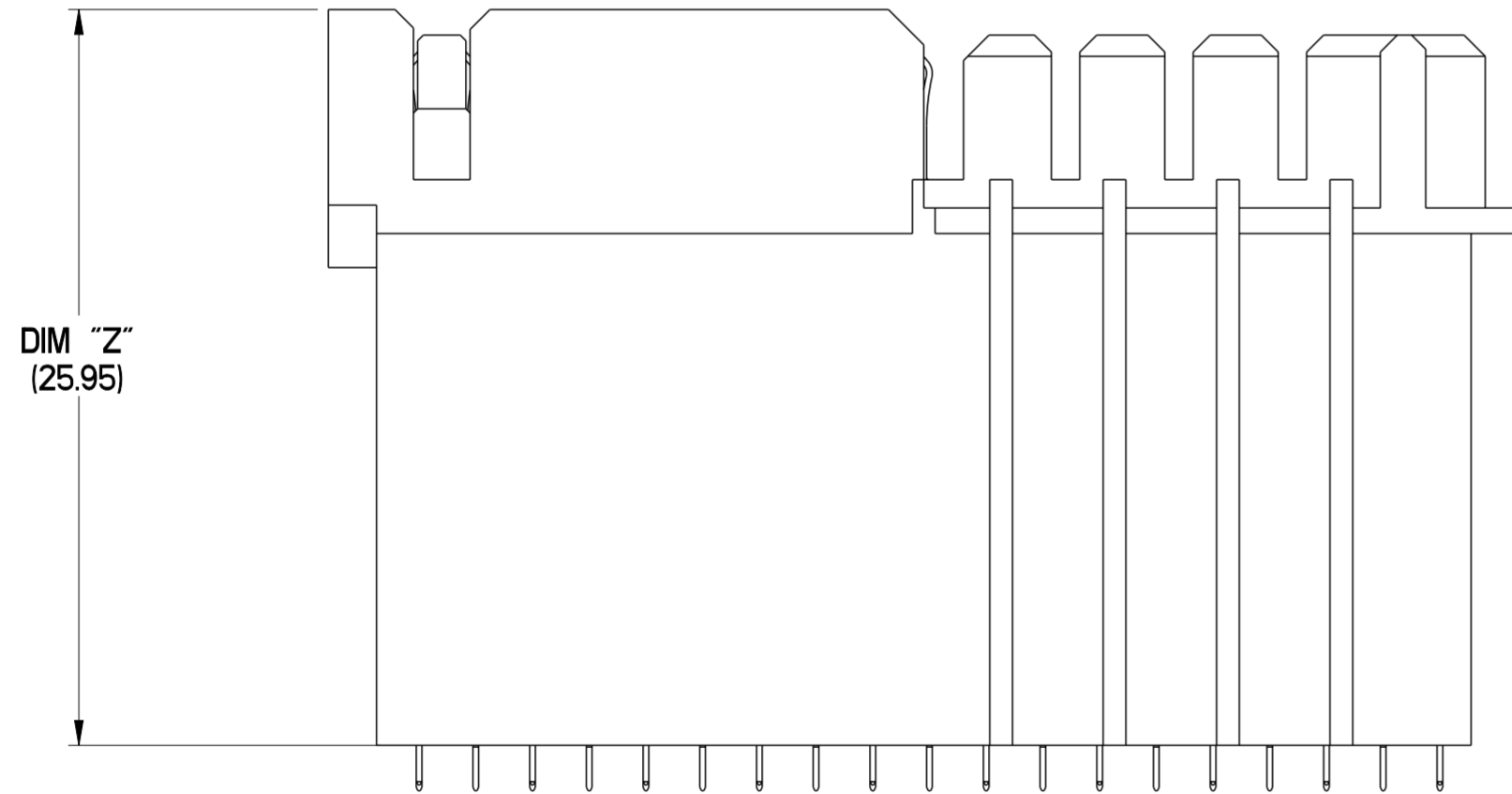
spec ref	SEE NOTES	dr	Lauermann, Mar	2013/09/10	projection	mm	size	A2	scale	4:1										
tolerance std	TOLERANCES UNLESS OTHERWISE SPECIFIED	eng	David Guo	2019/07/21		mm	ecn no	ELX-DG-34391-1	rel level	Released										
ASME Y14.5M		chr	-	app							Heaven Cen	2019/08/14	product family	ExaMEZZ						
surface	<table border="1"> <tr> <td>linear</td> <td>0.X</td> <td>±0.3</td> </tr> <tr> <td></td> <td>0.XX</td> <td>±0.10</td> </tr> <tr> <td></td> <td>0.XXX</td> <td>±0.05</td> </tr> <tr> <td>angular</td> <td>0°</td> <td>±2°</td> </tr> </table>	linear	0.X	±0.3								0.XX	±0.10		0.XXX	±0.05	angular	0°	±2°	Amphenol FCI
linear	0.X	±0.3																		
	0.XX	±0.10																		
	0.XXX	±0.05																		
angular	0°	±2°																		
		Product - Customer Drw		sheet 1 of 5																



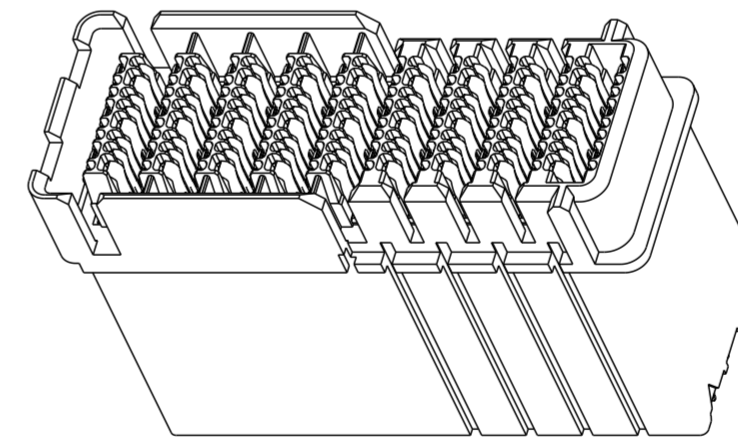
SHORTEST HEIGHT  
10127225-107500ULF SHOWN  
SCALE 4:1



SCALE 2:1



TALLEST HEIGHT  
10127225-122500ULF SHOWN  
SCALE 4:1



SCALE 2:1

Amphenol  
FCi

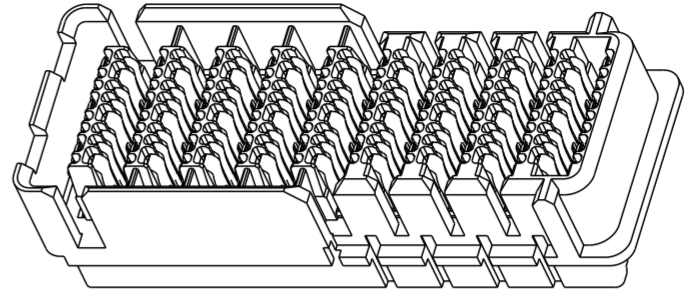
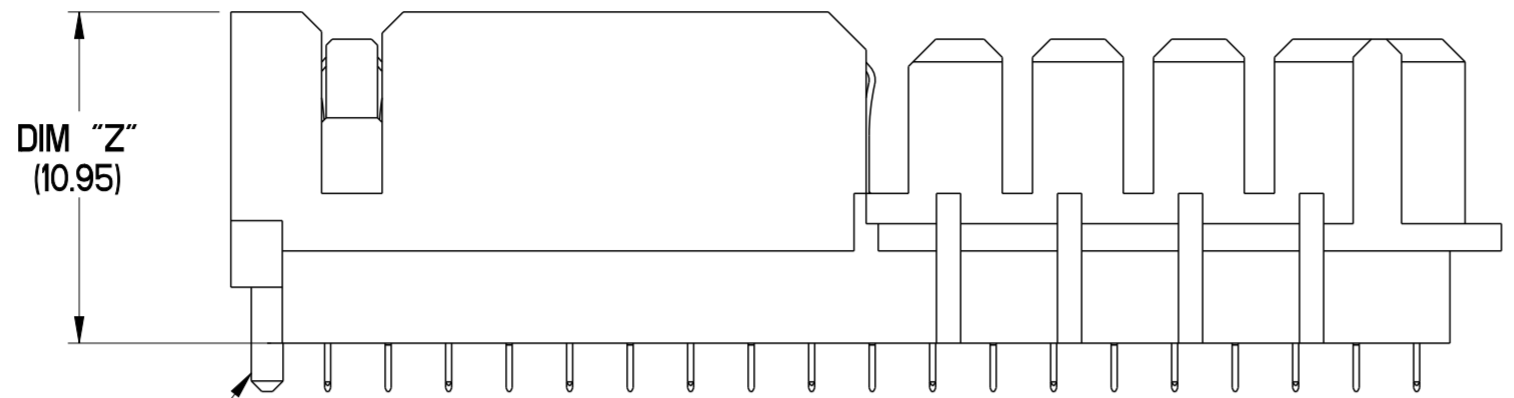
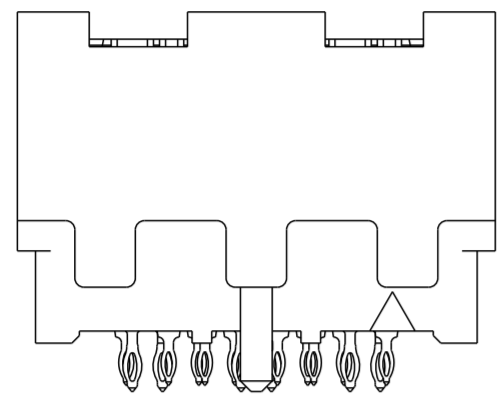
© 2016 AFCI

spec ref	SEE NOTES	dr	Lauermaun, Mar	2013/09/10	projection	mm	size	A2	scale	4:1		
tolerance std	TOLERANCES UNLESS OTHERWISE SPECIFIED	eng	David Guo	2019/07/31			ecn no	ELX-DG-34391-1				
ASME Y14.5M		chr	-	appr			Heaven Cen	2019/08/14	product family	ExaMEZZ	rel level	Released
surface		linear	0.X	±0.3			<b>Amphenol FCI</b>		<b>ExaMEZZ CONNECTOR ASSEMBLY</b> HERMAPHRODITIC, 2 PAIR, 19 IMLA		cat. no.	10127225
		0.XX	±0.10	Product - Customer Drw	sheet 2 of 5							
	angular	0°	±2°									

PDS: Rev :C

STATUS:Released

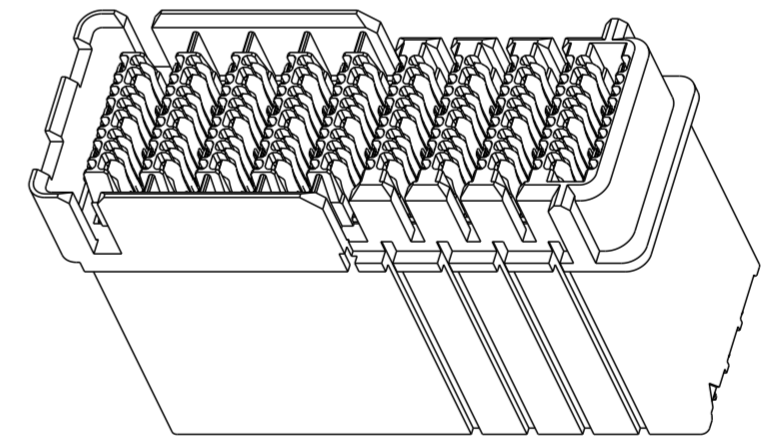
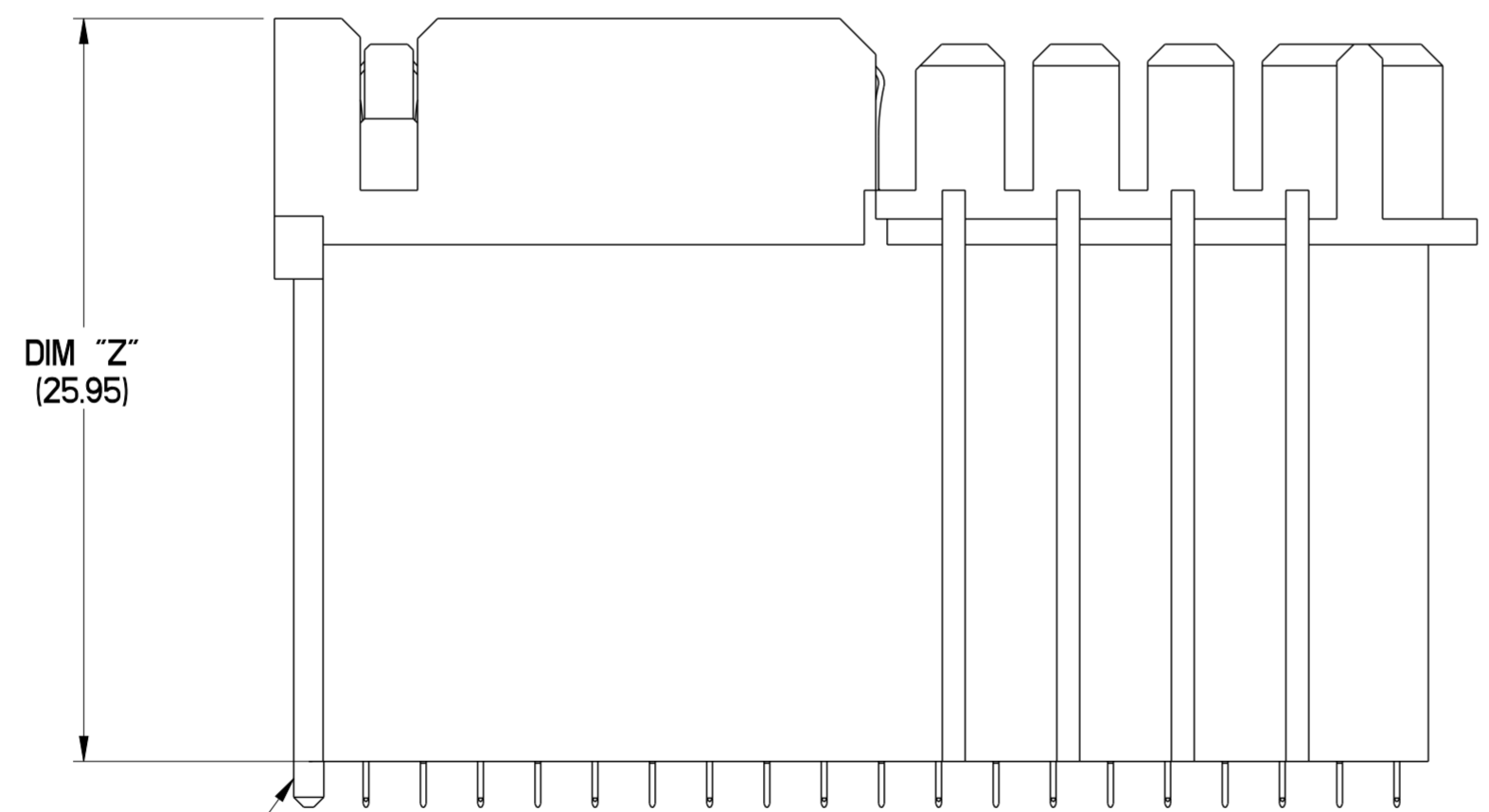
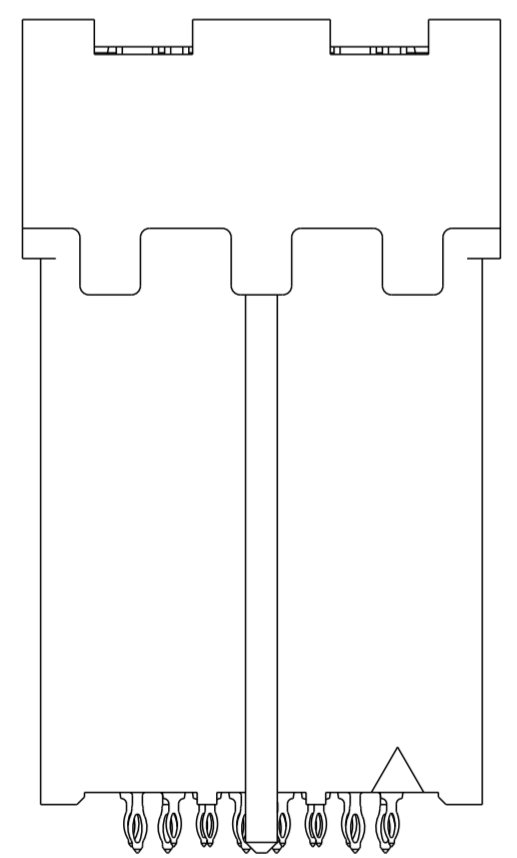
Printed: Aug 14, 2019



POLARIZING PEG

10127225-107500ELF SHOWN  
SCALE 4:1

SCALE 2:1



POLARIZING PEG

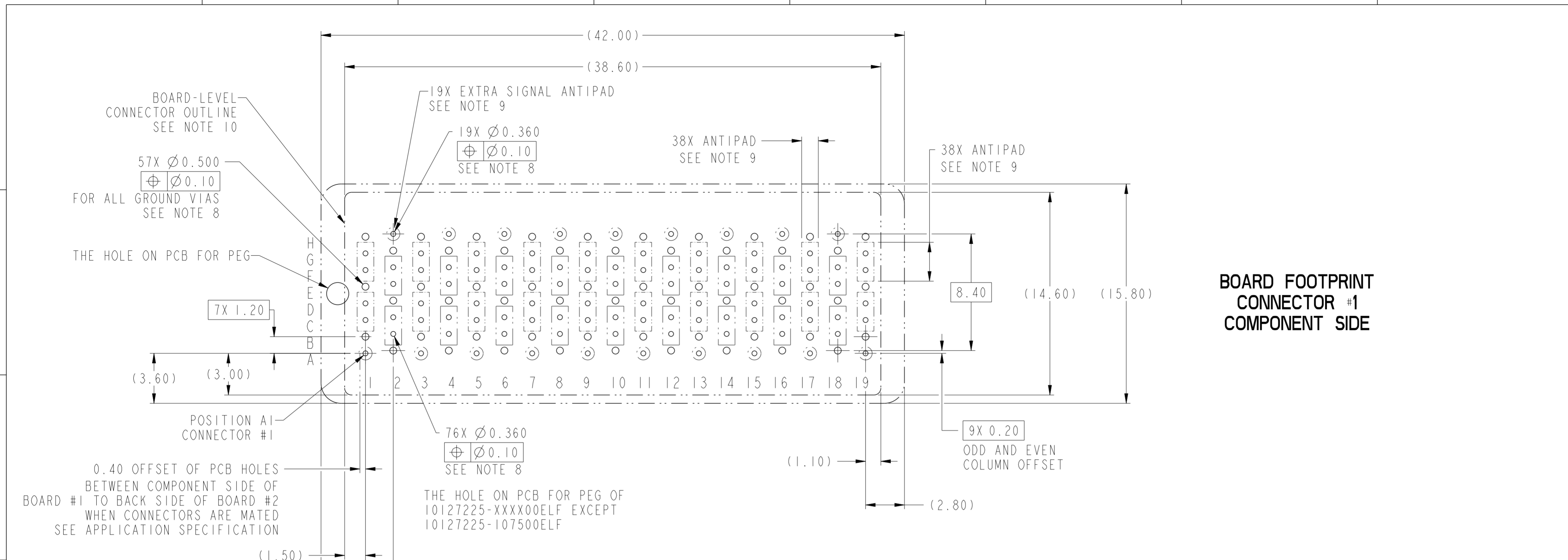
10127225-122500ELF SHOWN  
SCALE 4:1

SCALE 2:1

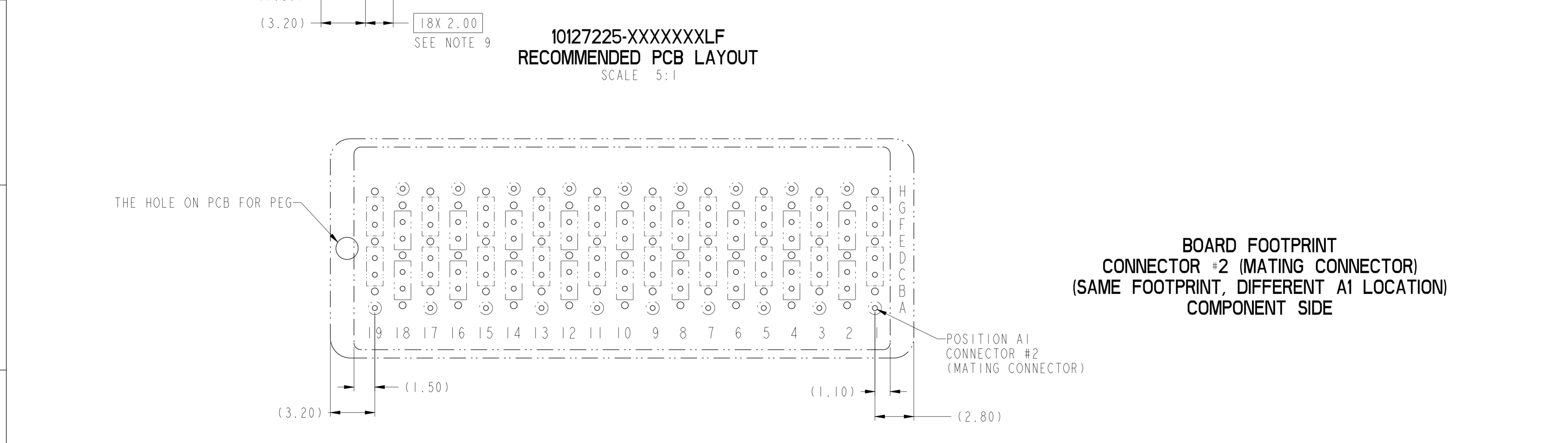
Amphenol  
FCi

© 2016 AFci

spec ref	SEE NOTES	dr	Lauermaun, Mar	2013/09/10	projection	mm	size	A2	scale	2:1
tolerance std	TOLERANCES UNLESS OTHERWISE SPECIFIED	eng	David Guo	2019/07/31		mm	ecn no	ELX-DG-34391-1		
ISO 406		chr	-	rel level			Released			
ISO 1101		appr	Heaven Cen	2019/08/14	product family	ExaMEZZ	rel level	Released		
surface	linear	0.X	±0.3		<b>ExaMEZZ CONNECTOR ASSEMBLY</b> HERMAPHRODITIC, 2 PAIR, 19 IMLA	<div style="display: flex; justify-content: space-between;"> <span>cat. no.</span> <span>Product - Customer Drw</span> </div>	<div style="display: flex; justify-content: space-between;"> <span>10127225</span> <span>sheet 3 of 5</span> </div>	rev	C	
	0.XX	±0.10								
	0.XXX	±0.05								
	angular	0°	±2°							



**BOARD FOOTPRINT  
CONNECTOR #1  
COMPONENT SIDE**



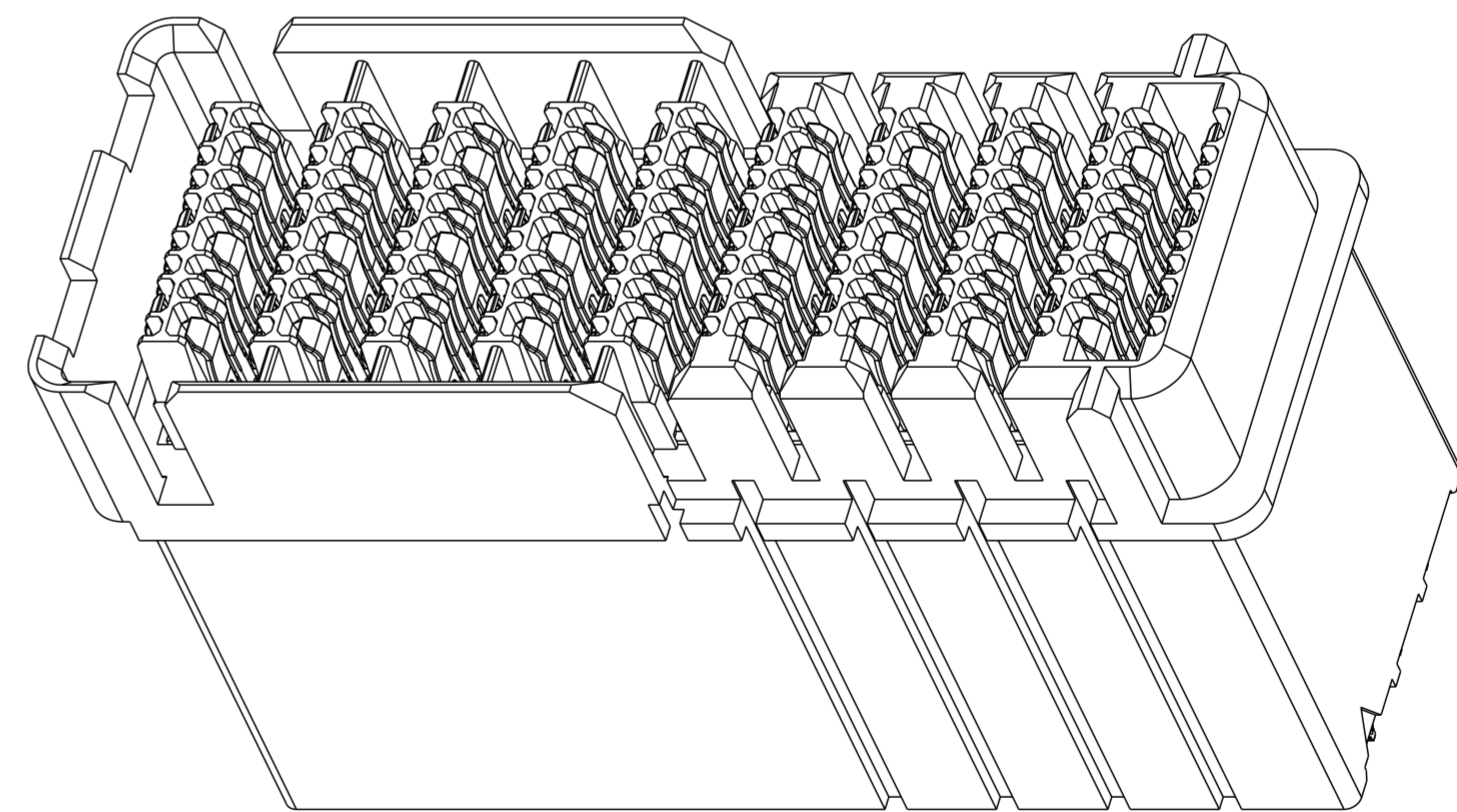
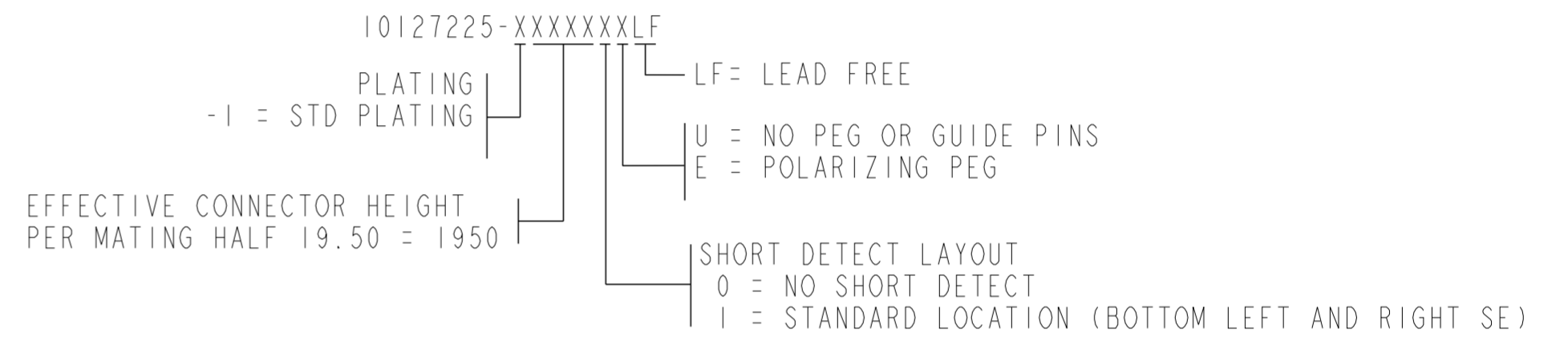
**BOARD FOOTPRINT  
CONNECTOR #2 (MATING CONNECTOR)  
(SAME FOOTPRINT, DIFFERENT A1 LOCATION)  
COMPONENT SIDE**

spec ref	SEE NOTES	dr	Lauermann, Mar	2013/09/10	projection	mm	size	A2	scale	2:1
tolerance std	TOLERANCES UNLESS OTHERWISE SPECIFIED	eng	David Guo	2019/07/21		mm	ecn no	ELX-DG-34391-1		
ASME Y14.5M		chr	-	rel level				Released		
surface	linear	0.X	±0.3		product family	ExaMEZZ	title ExaMEZZ CONNECTOR ASSEMBLY HERMAPHRODITIC, 2 PAIR, 19 IMLA	dwg no 10127225	rev C	
		0.XX	±0.10		cat. no. -	Product - Customer Drw				sheet 4 of 5
		0.XXX	±0.05							
	angular	0°	±2°							



- 1 - CONNECTOR MATERIALS:  
HOUSING: HIGH TEMP THERMOPLASTIC, NATURAL, UL94-V0  
IMLA PLASTIC: HIGH TEMP THERMOPLASTIC, BLACK, UL94-V0  
CONTACT: COPPER ALLOY
- 2 - CONTACT PLATING:  
SEPARABLE INTERFACE:  
PERFORMANCE-BASED PLATING, QUALIFIED TO MEET THE REQUIREMENTS OF FCI PRODUCT SPECIFICATION GS-12-1150 INCLUDING TELCORDIA GR-1217-CORE (NOVEMBER 1995) CENTRAL OFFICE TEST SEQUENCE.
- PRESS-FIT TAILS:  
TIN OVER NICKEL (LEAD-FREE)
- 3 - PRODUCT SPECIFICATION: GS-12-1150
- 4 - APPLICATION SPECIFICATION: GS-20-0373
- 5 - PRODUCT MARKING (PART NUMBER & LOT CODE) ON THIS SURFACE.
- 6 - LEAD FREE PRODUCT MEETS THE EUROPEAN UNION DIRECTIVES & OTHER COUNTRY REGULATIONS AS DESCRIBED IN GS-47-0004.
- 7 - PACKAGING MEETS GS-14-920 LEAD FREE LABELING SPECIFICATION.
- 8 - REFER TO CUSTOMER DRAWING 10119933 FOR INFORMATION ON PCB HOLE DIAMETERS AND PLATING OPTIONS
- 9 - REFER TO ROUTING GUIDE GS-20-0511 FOR RECOMMENDATIONS ON OPTIMIZATION OF FOOTPRINT AND TRACE ROUTING LAYOUT
- 10 - CONNECTOR OUTLINE MAY BE SCREEN PRINTED ONTO CUSTOMER PCB TO BE USED AS A GUIDE FOR MANUAL CONNECTOR PLACEMENT.
- 11 - PRODUCT STACK HEIGHT (7.5, 11.5, 12.5, 19.5, OR 22.5) LASER MARKED ON THIS SURFACE.
- 12 - THE SHORT DETECT CONNECTOR (WHEN MATED WITH A NON-SHORT DETECT CONNECTOR) WILL PROVIDE CONTACTS THAT MATE 1.00mm AFTER THE REMAINDER OF STANDARD LENGTH SIGNAL AND GROUND CONTACTS MATE. NEVER MATE A SHORT DETECT CONNECTOR WITH ANOTHER SHORT DETECT CONNECTOR.
- 13 - THE HOUSING WILL WITHSTAND EXPOSURE TO 260 °C PEAK TEMPERATURE FOR 10-30 SECONDS IN A CONVECTION, INFRA-RED, OR VAPOR PHASE REFLOW OVEN.
- 14 - ALL GROUND CONTACTS WITHIN A COLUMN ARE COMMONED

PRODUCT NUMBER	STACK HEIGHT EACH SIDE	DIM "Z"	SHORT DETECTS	POLARIZING PEG
10127225-107500ULF	7.5 mm	10.95	NO	NO
10127225-107501ULF	7.5 mm	10.95	YES	NO
10127225-111500ULF	11.5 mm	14.95	NO	NO
10127225-111501ULF	11.5 mm	14.95	YES	NO
10127225-112500ULF	12.5 mm	15.95	NO	NO
10127225-112501ULF	12.5 mm	15.95	YES	NO
10127225-119500ULF	19.5 mm	22.95	NO	NO
10127225-119501ULF	19.5 mm	22.95	YES	NO
10127225-122500ULF	22.5 mm	25.95	NO	NO
10127225-122501ULF	22.5 mm	25.95	YES	NO
10127225-107500ELF	7.5 mm	10.95	NO	YES
10127225-122500ELF	22.5 mm	25.95	NO	YES



spec ref	SEE NOTES	dr	Lauermann, Mar	2013/09/10	projection	mm	size	A2	scale	4:1										
tolerance std	TOLERANCES UNLESS OTHERWISE SPECIFIED	eng	David Guo	2019/07/31			ecn no	ELX-DG-34391-1												
ASME Y14.5M		chr	-	rel level			Released													
		appr	Heaven Cen	2019/08/14			product family	ExaMEZZ												
surface	<table border="1"> <tr><td>linear</td><td>0.X</td><td>±0.3</td></tr> <tr><td></td><td>0.XX</td><td>±0.10</td></tr> <tr><td></td><td>0.XXX</td><td>±0.05</td></tr> <tr><td>angular</td><td>0°</td><td>±2°</td></tr> </table>	linear	0.X	±0.3		0.XX	±0.10		0.XXX	±0.05	angular	0°	±2°			<b>title</b> ExaMEZZ CONNECTOR ASSEMBLY HERMAPHRODITIC, 2 PAIR, 19 IMLA		<b>cat. no.</b> 10127225	<b>rel level</b> C	<b>sheet 5 of 5</b>
linear	0.X	±0.3																		
	0.XX	±0.10																		
	0.XXX	±0.05																		
angular	0°	±2°																		