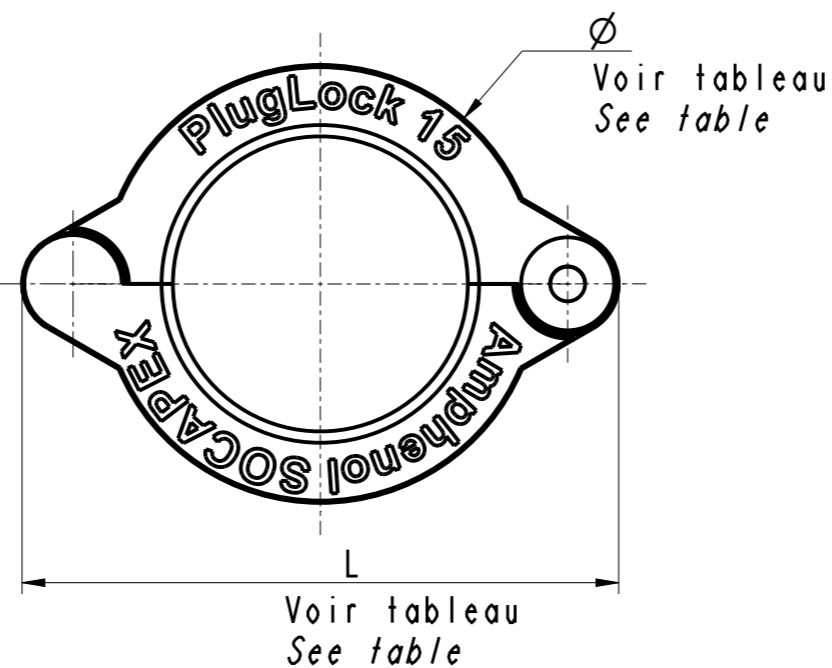
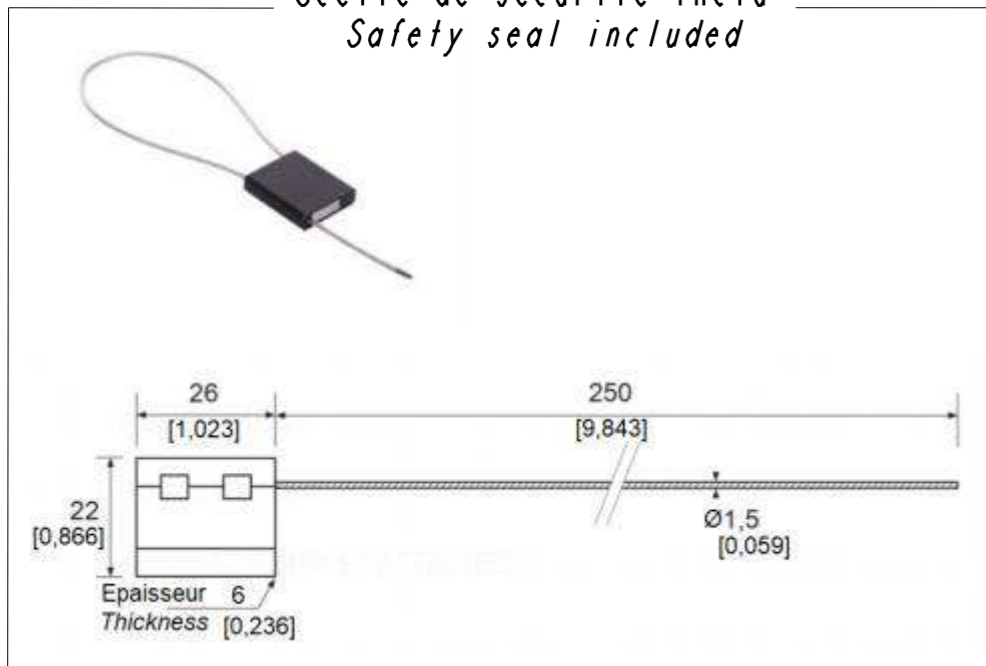
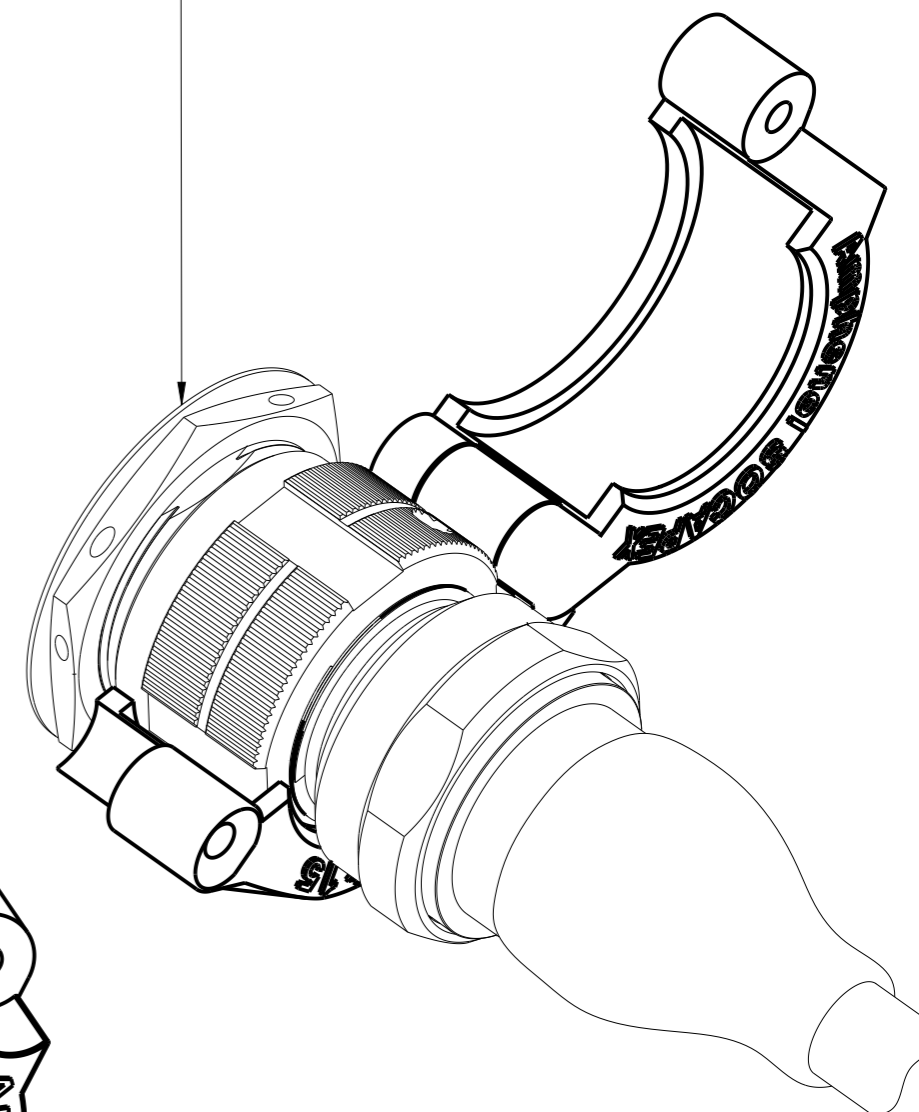


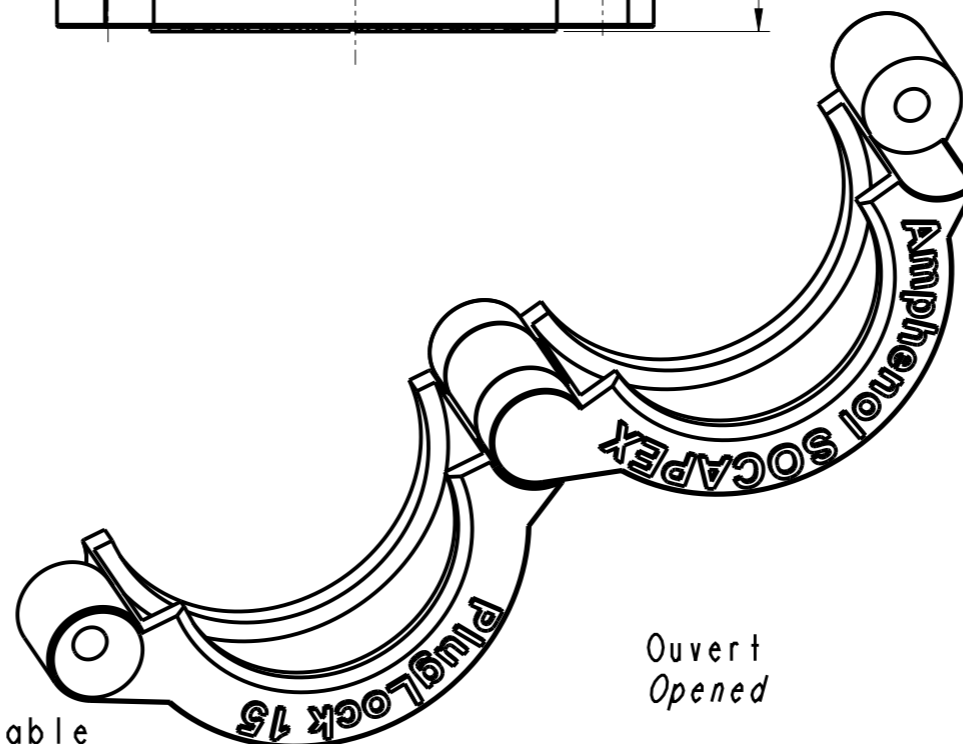
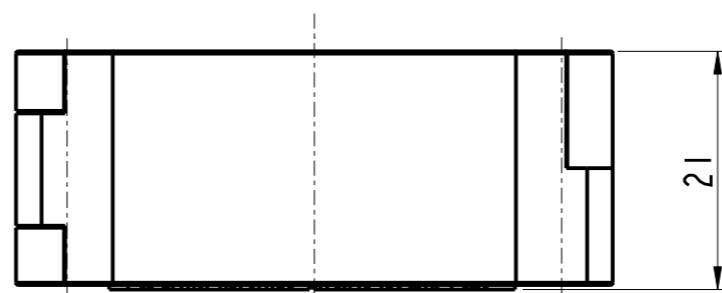
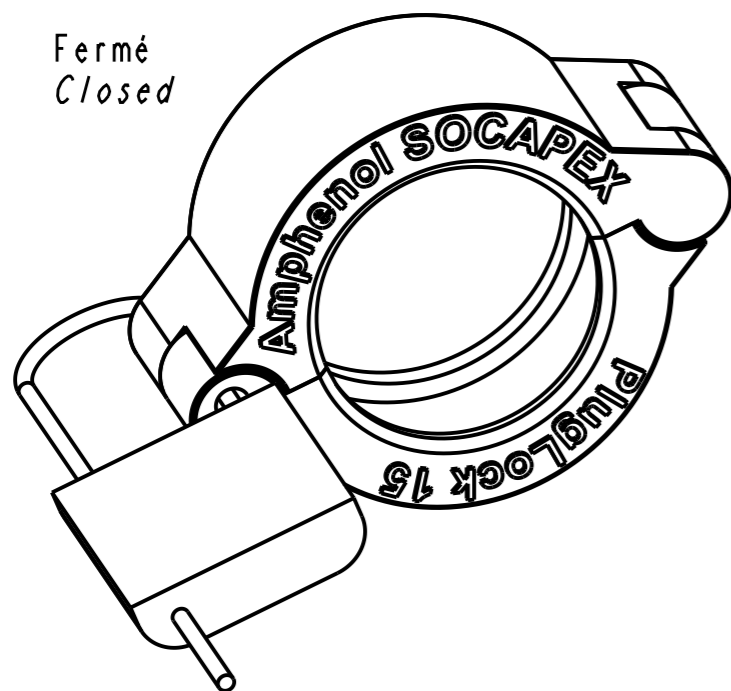
Scellé de sécurité inclu
Safety seal included



Embase et fiche connectées
type MIL-DTL-38999 série III
Mated receptacle and plug
type MIL-DTL-38999 serie III



Fermé
Closed



Ouvert
Opened

Taille (voir tableau)
Size (see table)

Scellé de sécurité inclu
Safety seal included

Shell size	Ø ±0.2/[0.008]	L ±0.2/[0.008]
T09	28.3 / [1.102]	42.3 / [1.653]
T11	31 / [1.220]	45 / [1.771]
T13	35.4 / [1.377]	49.4 / [1.929]
T15	38.6 / [1.496]	52.6 / [2.047]
T17	42.1 / [1.653]	56.1 / [2.204]
T19	44.8 / [1.732]	58.8 / [2.283]
T21	48 / [1.889]	62 / [2.440]
T23	51 / [2.007]	65 / [2.559]
T25	54.2 / [2.125]	68.2 / [2.677]

PlugLock 15 WR

Bouchon plastique de cybersécurité verrouillable pour fiches et embases connectées type MIL-DTL-38999 série III.

Lockable plastic cybersecurity cap for type MIL-DTL-38999 serie III mated plugs and receptacles.

APPROVAL FOR MANUFACTURING
Add missing specifications on the drawing if necessary (specific labellings, tolerances,...)

CUSTOMER :
PROGRAM :
CUSTOMER SIGNATURE

Name : _____ Date : _____

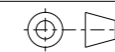
DRAWN BY : L WALASZEK

UPDATED BY :

LAST APPROVED BY : M RINSANT

ALL DIMENSIONS ARE IN MM

SCALE : 1,0



AMPHENOL SOCAPEX

B.P. 29 74311 THYEZ CEDEX

ORIGINAL DRAWING DATE : 17/02/22

CONFIGURATION DATA ARE AVAILABLE IN PDM

REV : A

PAGE : 1/1

191-PLC-1130-00