

THIS DRAWING IS UNPUBLISHED.

RELEASED FOR PUBLICATION

20

© COPYRIGHT 20 BY -

ALL RIGHTS RESERVED.

REVISIONS

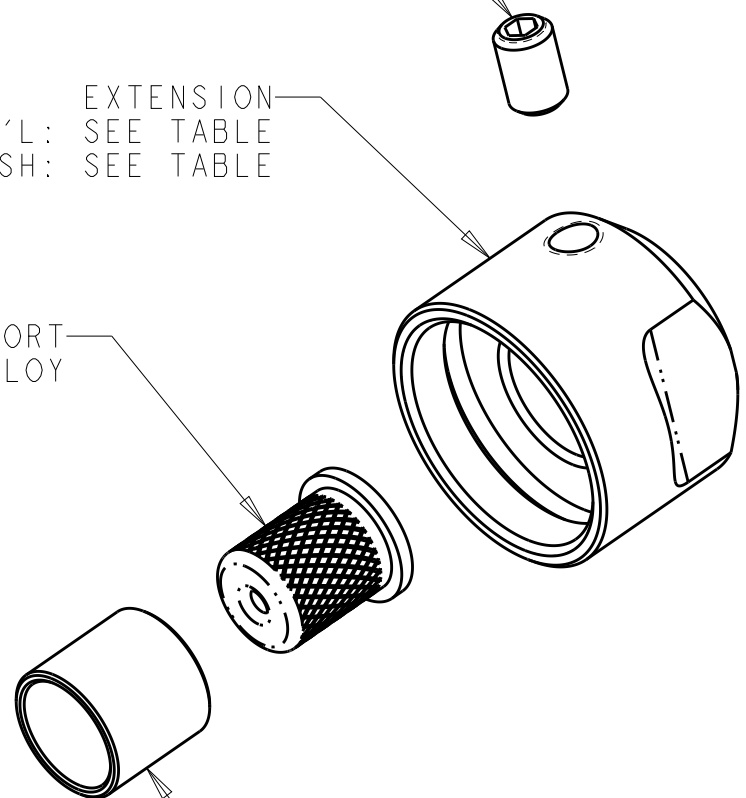
| P | LTR | DESCRIPTION | DATE | DWN | APVD |
|---|-----|---------------|-----------|-----|------|
| | A2 | ECR-15-009282 | 05AUG2015 | KG | DW |
| | | | | | |
| | | | | | |

SET SCREW, M4x6
MAT'L: STAINLESS STEEL

EXTENSION
MAT'L: SEE TABLE
FINISH: SEE TABLE

CRIMP SUPPORT
MAT'L: NICKEL-SILVER ALLOY

CRIMP SUPPORT
MAT'L: NICKEL-SILVER ALLOY



SUPERSEDED BY:
2-1918934-8

SUPERSEDED BY:
2-1918934-7

SUPERSEDED BY:
2-1918934-6

SUPERSEDED BY:
2-1918934-5

SUPERSEDED BY:
2-1918934-4

SUPERSEDED BY:
2-1918934-3

SUPERSEDED BY:
2-1918934-2

CONDUCTIVE OLIVE DRAB ZINC
ON ALUMINUM ALLOY

NICKEL ALUMINUM BRONZE ALLOY

HARD ANODIZE FINISH
ON ALUMINUM ALLOY

| CONDUCTIVE BLACK ZINC-NICKEL ON ALUMINUM ALLOY | 4 x 3mm | 2-1918934-8 |
|---|---------------------------|-------------|
| | 6.7mm | 2-1918934-7 |
| | 6.0mm | 2-1918934-6 |
| | 5.5mm | 2-1918934-5 |
| | 5.0mm | 2-1918934-4 |
| | 4.2mm | 2-1918934-3 |
| | 3.2mm | 2-1918934-2 |
| DESCRIPTION | MAXIMUM CABLE DIAMETER | PART NUMBER |

| CONDUCTIVE OLIVE DRAB ZINC ON ALUMINUM ALLOY | 4 x 3mm | 2-1918934-1 |
|---|---------------------------|-------------|
| | 6.7mm | 2-1918934-0 |
| | 6.0mm | 1-1918934-9 |
| | 5.5mm | 1-1918934-8 |
| | 5.0mm | 1-1918934-7 |
| | 4.2mm | 1-1918934-6 |
| | 3.2mm | 1-1918934-5 |
| NICKEL ALUMINUM BRONZE ALLOY | 4 x 3mm | 1-1918934-4 |
| | 6.7mm | 1-1918934-3 |
| | 6.0mm | 1-1918934-2 |
| | 5.5mm | 1-1918934-1 |
| | 5.0mm | 1-1918934-0 |
| | 4.2mm | 1918934-9 |
| | 3.2mm | 1918934-8 |
| HARD ANODIZE FINISH ON ALUMINUM ALLOY | 4 x 3mm | 1918934-7 |
| | 6.7mm | 1918934-6 |
| | 6.0mm | 1918934-5 |
| | 5.5mm | 1918934-4 |
| | 5.0mm | 1918934-3 |
| | 4.2mm | 1918934-2 |
| | 3.2mm | 1918934-1 |
| DESCRIPTION | MAXIMUM CABLE DIAMETER | PART NUMBER |

THIS DRAWING IS A CONTROLLED DOCUMENT.

DWN 31OCT2006
K. GLATFELTER

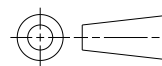
CHK 04JUN2008
D. WERTMAN

APVD 04JUN2008
D. WERTMAN

STE TE Connectivity

NAME
CABLE ADAPTER KIT, STD BULKHEAD,
PRO BEAM JR.

DIMENSIONS:
mm



TOLERANCES UNLESS
OTHERWISE SPECIFIED:

0 PLC ±-

1 PLC ±-

2 PLC ±-

3 PLC ±-

4 PLC ±-

ANGLES ±-

PRODUCT SPEC -

APPLICATION SPEC -

WEIGHT -

SIZE A3 CAGE CODE 00779 DRAWING NO C-1918934 RESTRICTED TO -

I. PACKAGED LOOSE PIECE.

MATERIAL AS LISTED FINISH AS LISTED

Customer Drawing SCALE 2:1 SHEET 1 OF 1 REV A2