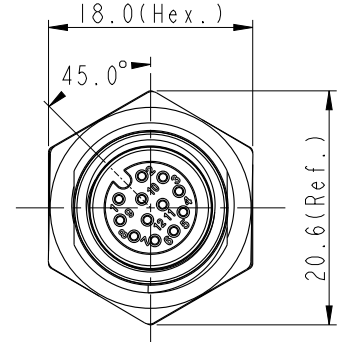
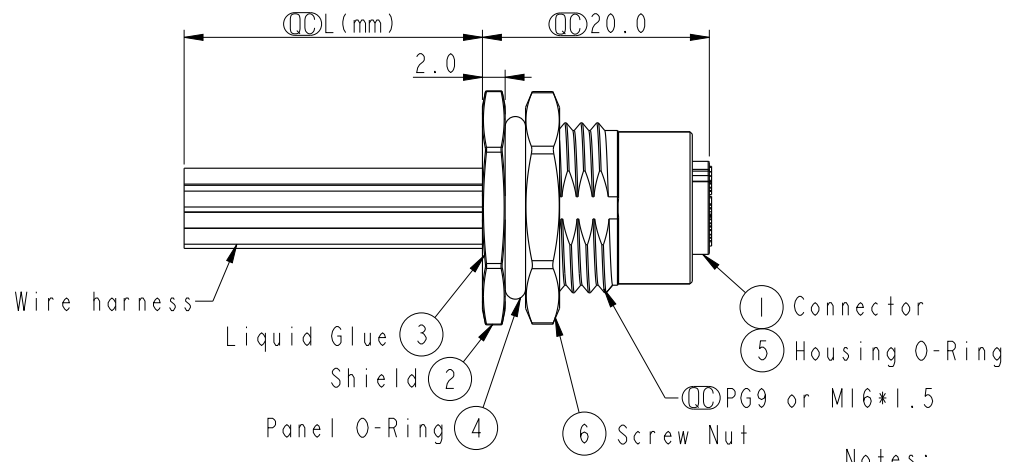
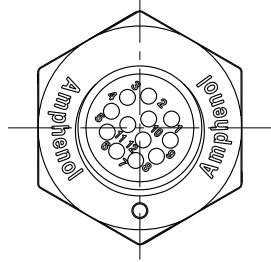
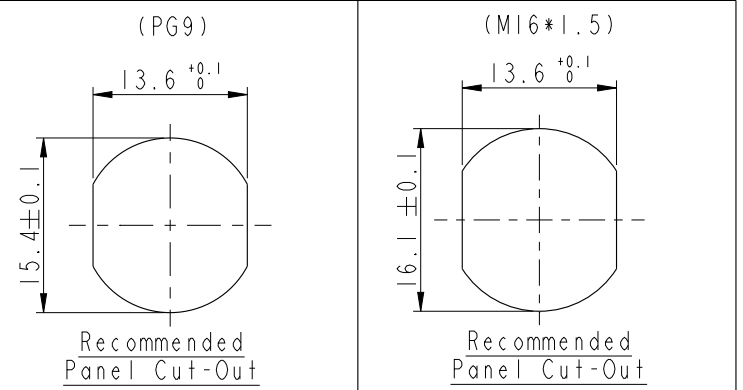


THIS DOCUMENT IS SUBJECT TO CHANGE WITHOUT NOTICE. IT IS CONFIDENTIAL AND A PROPERTY OF Amphenol LTW. DISCLOSURE TO THIRD PARTY HAS TO BE AUTHORIZED BY Amphenol LTW.

REV.	ECN NO.	DATE	SIGN	DESCRIPTION
C	LEN1680545-556 LEN1680593-597	2016/08/08	Yulong_wang	Add 6pin & IP69K.
D	E191630	2019/09/19	Ruru	Update Wire Tolerance
E	BOMR19100207	2019/10/29	Peng	Add 17Pin



- Notes:
- * \varnothing Important Dimension.
 - * Waterproof Rate: IP68, IP69K.
 - * Connector: Nylon+GF, Black.
 - * Female Pin: Copper Alloy, Gold Plated.
 - * Shield: Zinc Alloy, Nickel Plated.
 - * Screw Nut: Zinc Alloy, Nickel Plated.
 - * Panel O-Ring: Viton, Black.
 - * Housing O-Ring: Viton, Green.
 - * Wire harness: UL1061
 - * Rated Voltage: 3 & 4Pin 250V dc. or ac.
5Pin 60V dc. or ac.
6~12Pin, 17Pin 30V dc. or ac.
 - * Rated Current: 3~5Pin 4A
6~8Pin 2A
10~12Pin, 17Pin 1.5A
 - * Operating Temperature: -25~85°C
 - * For Panel Thickness Max 4.5mm.
 - * Nut Torque: 4-6 Kgf.cm.
 - * Wire harness Tolerance: 150~300±15mm
301~1000±20mm
Over1000 ±50/-0mm



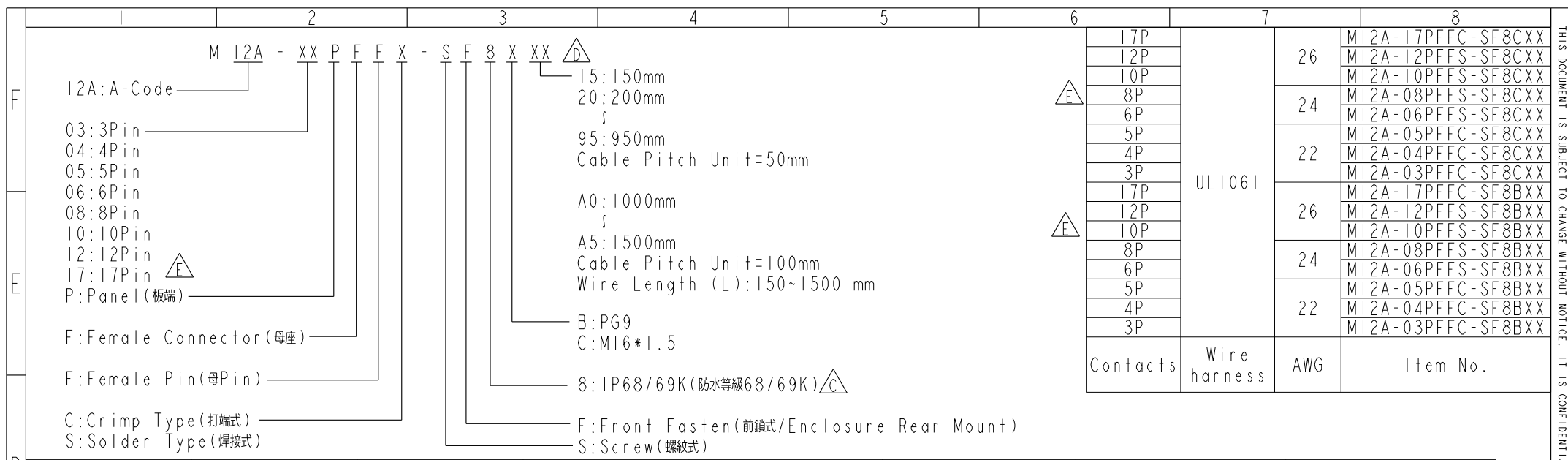
UNIT: mm	
TOLERANCE	
.X	±0.25
.XX	±0.1
.XXX	±0.05
ANGLES	±1°

TITLE M12 A-Code Female Conn. Panel Front With Wire harness			
SCALE 3:2	SIZE A4	SHEET 1 OF 2	
REV. E	WC-REV. A.3	\varnothing : Inspection item	

Amphenol LTW
安費諾亮泰企業股份有限公司

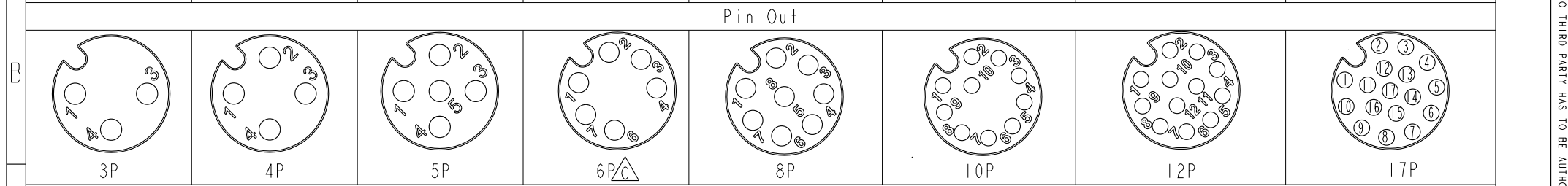
ITEM NO.	DRAWN BY Ruru	DATE 2019-09-19
DWG NO. M12A-XXPFFX-SF8XXX	CHECKED BY Rita	DATE 2019-09-19
CUSTOMER ALTW	APPROVED BY Max	DATE 2019-09-19

THIS DOCUMENT IS SUBJECT TO CHANGE WITHOUT NOTICE. IT IS CONFIDENTIAL AND A PROPERTY OF Amphenol LTW. DISCLOSURE TO THIRD PARTY HAS TO BE AUTHORIZED BY Amphenol LTW.



17P	UL1061	26	M12A-17PFFC-SF8CXX
12P			M12A-12PFFS-SF8CXX
10P			M12A-10PFFS-SF8CXX
8P		24	M12A-08PFFS-SF8CXX
6P			M12A-06PFFS-SF8CXX
5P			M12A-05PFFC-SF8CXX
4P		22	M12A-04PFFC-SF8CXX
3P			M12A-03PFFC-SF8CXX
17P			26
12P		M12A-12PFFS-SF8BXX	
10P		M12A-10PFFS-SF8BXX	
8P		24	M12A-08PFFS-SF8BXX
6P			M12A-06PFFS-SF8BXX
5P			M12A-05PFFC-SF8BXX
4P		22	M12A-04PFFC-SF8BXX
3P			M12A-03PFFC-SF8BXX
Contacts		Wire harness	AWG

Pin #	Wire	Pin #	Wire	Pin #	Wire	Pin #	Wire	Pin #	Wire	Pin #	Wire	Pin #	Wire	Pin #	Wire	Pin #	Wire
5	--	5	--	5	Gray 灰	5	--	5	Red 紅	5	Gray 灰	5	Gray 灰	5	Yellow 黃	5	Yellow 黃
4	Black 黑	4	Black 黑	4	Black 黑	4	Blue 藍	4	Blue 藍	4	Blue 藍	4	Blue 藍	4	Yellow 黃	4	Yellow 黃
3	Blue 藍	3	Blue 藍	3	Blue 藍	3	Pink 粉	3	Pink 粉	3	Green 綠	3	Green 綠	3	Green 綠	3	Green 綠
2	--	2	White 白	2	White 白	2	--	2	Black 黑	2	Brown 棕	2	Brown 棕	2	Brown 棕	2	Brown 棕
1	Brown 棕	1	Brown 棕	1	Brown 棕	1	White 白	1	White 白	1	White 白	1	White 白	1	White 白	1	White 白



Pin Assignments: Front View

UNIT: mm TOLERANCE .X ±0.25 .XX ±0.1 .XXX ±0.05 ANGLES ±1°	TITLE M12 A-Code Female Conn. Panel Front With Wire harness		<h1 style="text-align: center;">Amphenol LTW</h1> <h2 style="text-align: center;">安費諾亮泰企業股份有限公司</h2>		ITEM NO M12A-XXPFFX-SF8XXX	DRAWN BY Ruru	DATE 2019-09-19
	SCALE 3:2	SIZE A4			SHEET 2 OF 2	DWG NO M12A-XXPFFX-SF8XXX	CHECKED BY Rita
	REV. E	WC-REV. A.3	QC : Inspection item	CUSTOMER ALTW	APPROVED BY Max	DATE 2019-09-19	
				W10814-03-001A2			