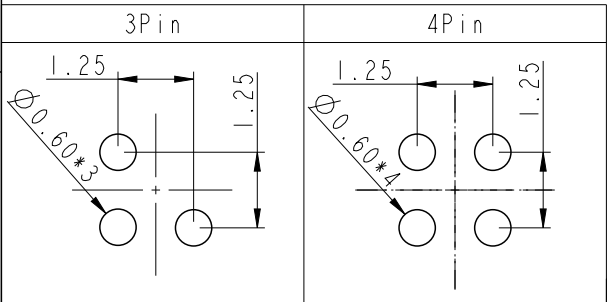
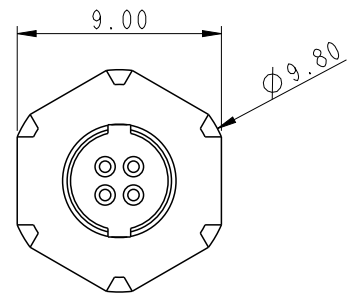
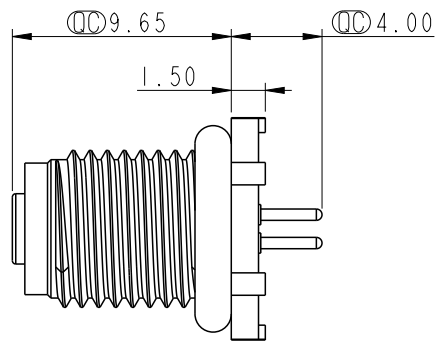
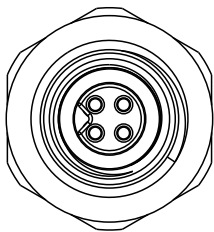


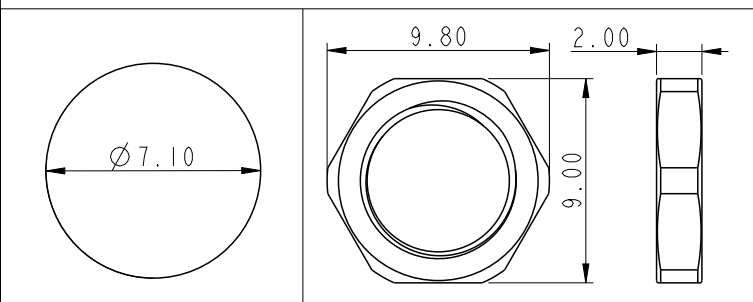
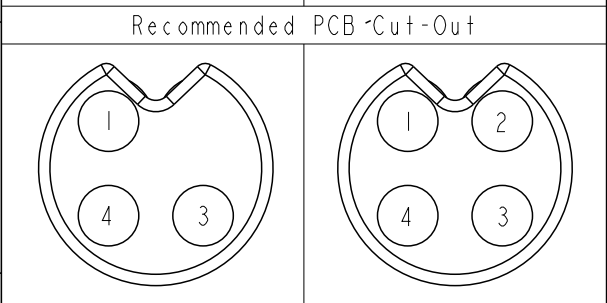
THIS DOCUMENT IS SUBJECT TO CHANGE WITHOUT NOTICE. IT IS CONFIDENTIAL AND A PROPERTY OF Amphenol LTW. DISCLOSURE TO THIRD PARTY HAS TO BE AUTHORIZED BY Amphenol LTW.

REV.	ECN NO.	DATE	SIGN	DESCRIPTION
A	-	2021/10/20	Allen	New Initial.



M5-XXPFFP-SF7001
 XX:NO.OF Pin

- Note
- * \varnothing Important Dimension To Check
 - * Waterproof Rate: IPX7, Unmated.
 - * Connector
 - Housing: Thermoplastic, Black.
 - Pin: Copper Alloy, Gold Plated.
 - O-Ring: Rubber, Green.
 - * Shield: Metal.
 - * Nut: Metal.
 - * O-Ring: Rubber, Gray.
 - * For Panel Thickness Max 4.0mm.
 - * Recommend pcb thickness: 1.6mm.
 - * Nut are packed separately in PE bags.
 - * RoHS Compliant.



Pin Assignments Front View

Recommended Panel Cut-Out
 Nut is packed separately in PE bag.

UNIT:mm		
TOLERANCE	.X ±0.25	
	.XX ±0.1	
	.XXX ±0.05	
ANGLES	±1°	

TITLE N SEN, M5, SCREW RECEPTACLE, F, PCB S			
SCALE 3:1	SIZE A4	SHEET 1 OF 1	
REV. A	WC-REV. .0	\varnothing : Inspection item	

Amphenol LTW
 安費諾亮泰企業股份有限公司

ITEM NO	DRAWN BY Allen	DATE 2021/10/20
DWG NO M5-XXPFFP-SF7001	CHECKED BY Wen	DATE 2021/10/20
CUSTOMER ALTW	APPROVED BY Neo	DATE 2021/10/20