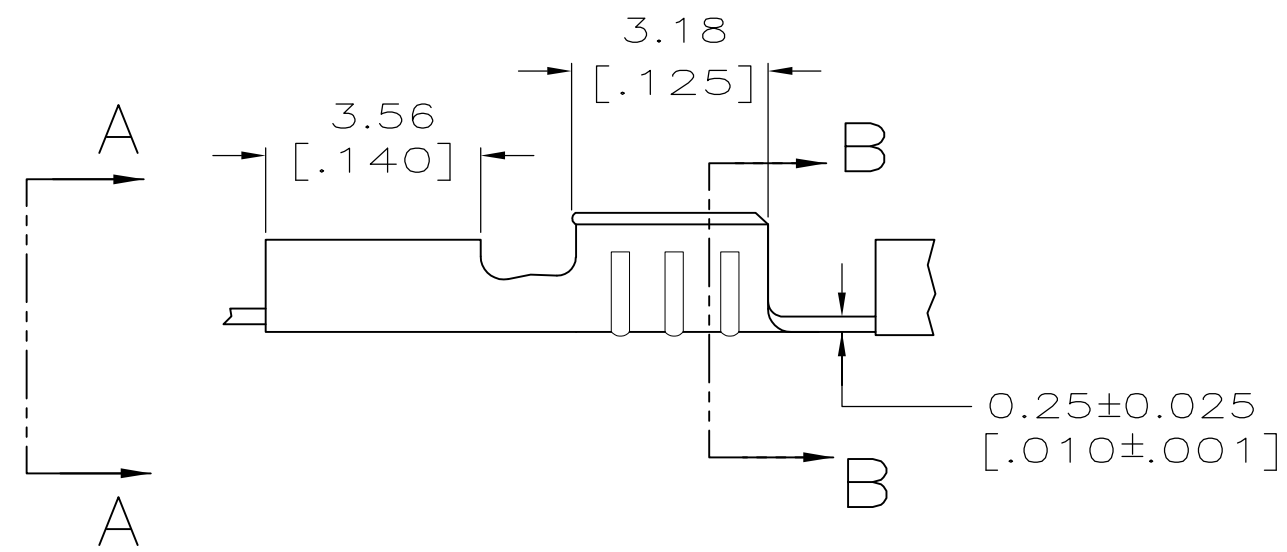
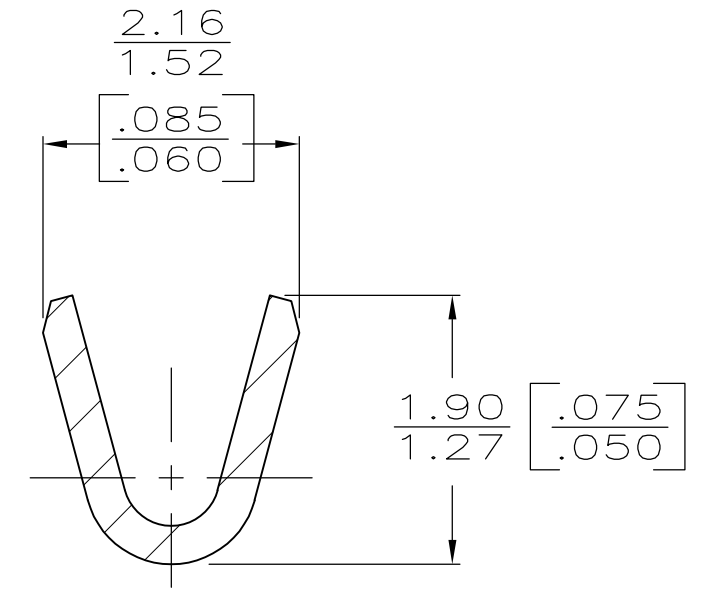
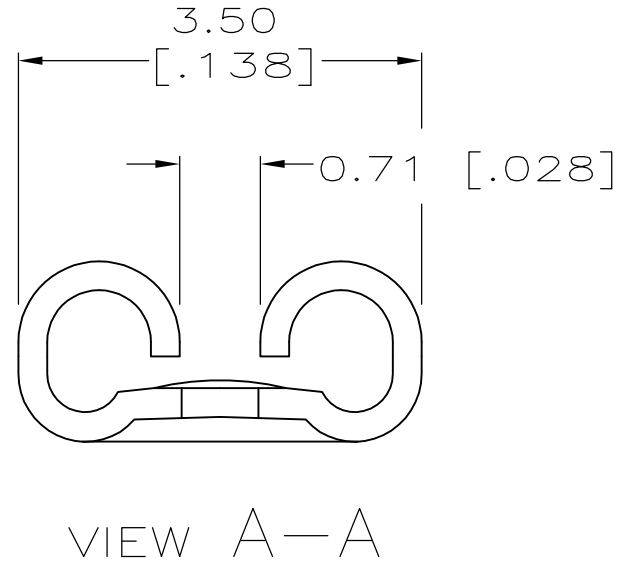
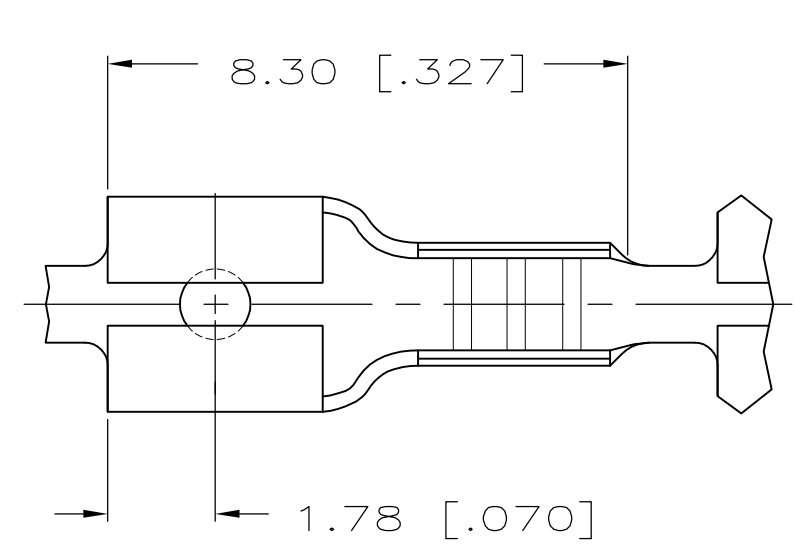


THIS DRAWING IS UNPUBLISHED. RELEASED FOR PUBLICATION  
 © COPYRIGHT - By - ALL RIGHTS RESERVED.


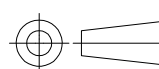
LOC	DIST	REVISIONS			
P	LTR	DESCRIPTION	DATE	DWN	APVD
AF	50	C	REVISED PER ECR-12-013518	24NOV12	KH PD

1 CONTINUOUS STRIP ON REELS.



[#26-#22] AWG	0.51±0.025 [.020±.001]	63837-1
WIRE SIZE	MATING TAB THICKNESS	PART NUMBER

STRIP LENGTH ±0.38 ±[.015]	TYPE	WIDTH	±.051 [E.002] HEIGHT	WIRE
4.75 [.187]	F	1.40 [.055]	0.68 [.027]	[#26]
			0.71 [.028]	[#24]
			0.79 [.031]	[#22]
WIRE BARREL CRIMP				

THIS DRAWING IS A CONTROLLED DOCUMENT.		DWN JR RUTH 3/21/95	 TE Connectivity RECEPTACLE, FASTON,™ 2.79 [.110] SERIES	
DIMENSIONS: mm [INCHES]	TOLERANCES UNLESS OTHERWISE SPECIFIED:	CHK R GRZYBOWSKI 3/21/95		
 0 PLC ± - 1 PLC ± - 2 PLC ± 0.25 [.010] 3 PLC ± - 4 PLC ± - ANGLES ± -		APVD P DESANTIS 3/21/95		
MATERIAL BRASS	FINISH TIN	PRODUCT SPEC -	NAME	RESTRICTED TO
		APPLICATION SPEC 114-2036	SIZE A3	CAGE CODE 00779
		WEIGHT -	DRAWING NO C-63837	SCALE 8:1
		CUSTOMER DRAWING	SHEET 1 OF 1	REV C