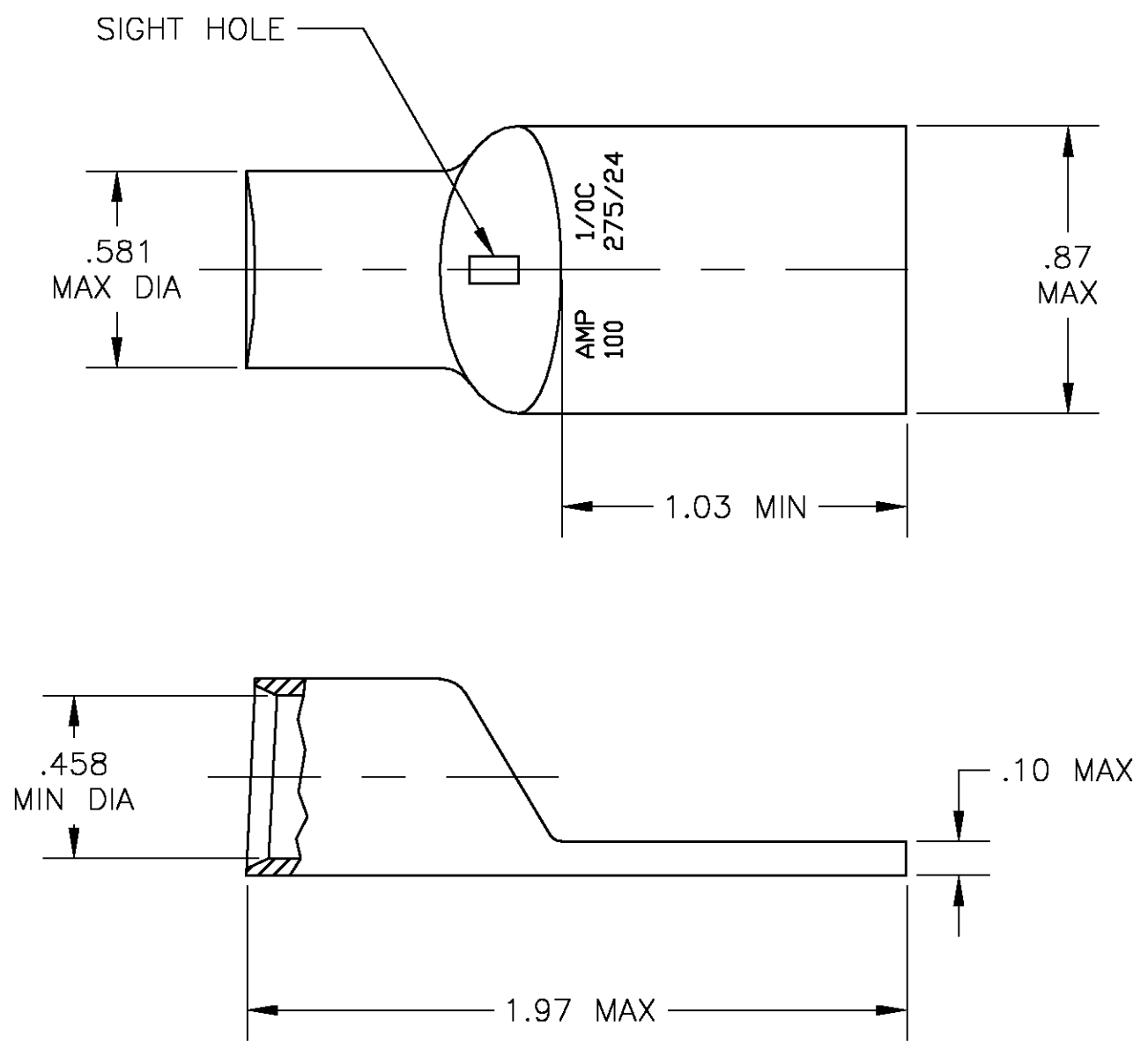


THIS DRAWING IS UNPUBLISHED. RELEASED FOR PUBLICATION
 © COPYRIGHT BY TYCO ELECTRONICS CORPORATION. ALL RIGHTS RESERVED.

LOC	DIST	REVISIONS					
		P	LTR	DESCRIPTION	DATE	DWN	APVD
G	86		U	REDRAWN PER 0G3A-0396-04	02JUN04	JR	MS

- 1 WIRE RANGE IS 83,700-119,500 CMA
- 2 COPPER PER ASTM B-75, ANNEALED
- 3 .000150 MIN TIN PER ASTM B-545



325300
PART NO

THIS DRAWING IS A CONTROLLED DOCUMENT.		DWN jr_ruth	02JUN04	Tyco Electronics Corporation Harrisburg, PA 17105			
DIMENSIONS: INCHES		CHK MJ SPICER	02JUN04				
		APVD MJ SPICER	02JUN04	NAME TERMINAL, AMPPOWER, WIRE SIZE: 1/0 AWG			
TOLERANCES UNLESS OTHERWISE SPECIFIED:		PRODUCT SPEC		APPLICATION SPEC			
0 PLC ± - 1 PLC ± - 2 PLC ± - 3 PLC ± .008 4 PLC ± - ANGLES ± 5°		MATERIAL		SIZE	CAGE CODE	DRAWING NO	RESTRICTED TO
FINISH		- 2		WEIGHT	.044 LB	A3 00779	C-325300
- 3		CUSTOMER DRAWING		SCALE	2:1	SHEET	1 OF 1
						REV	U