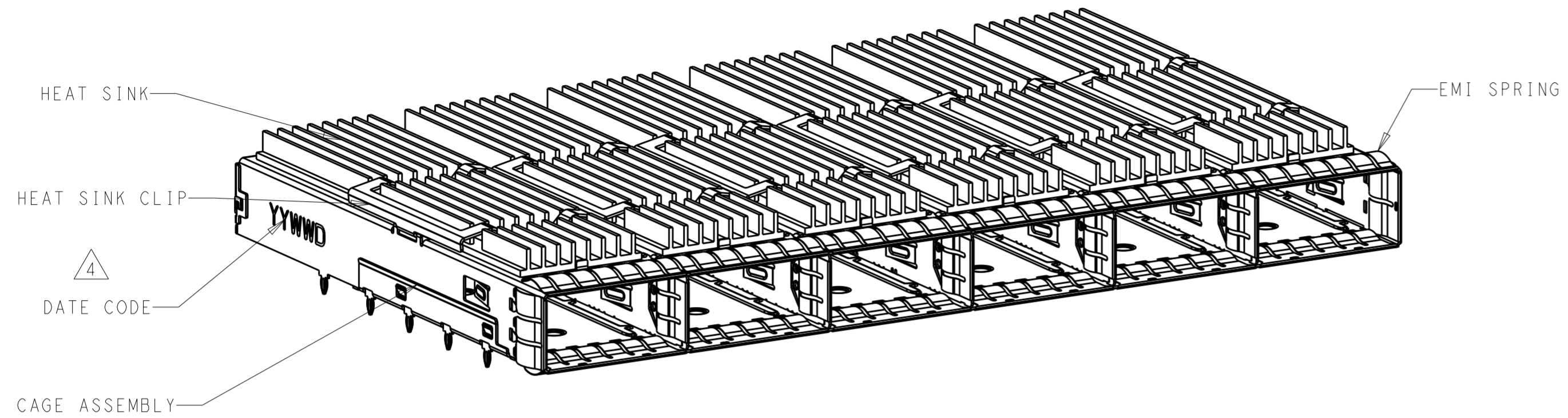
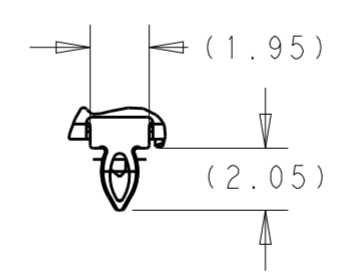
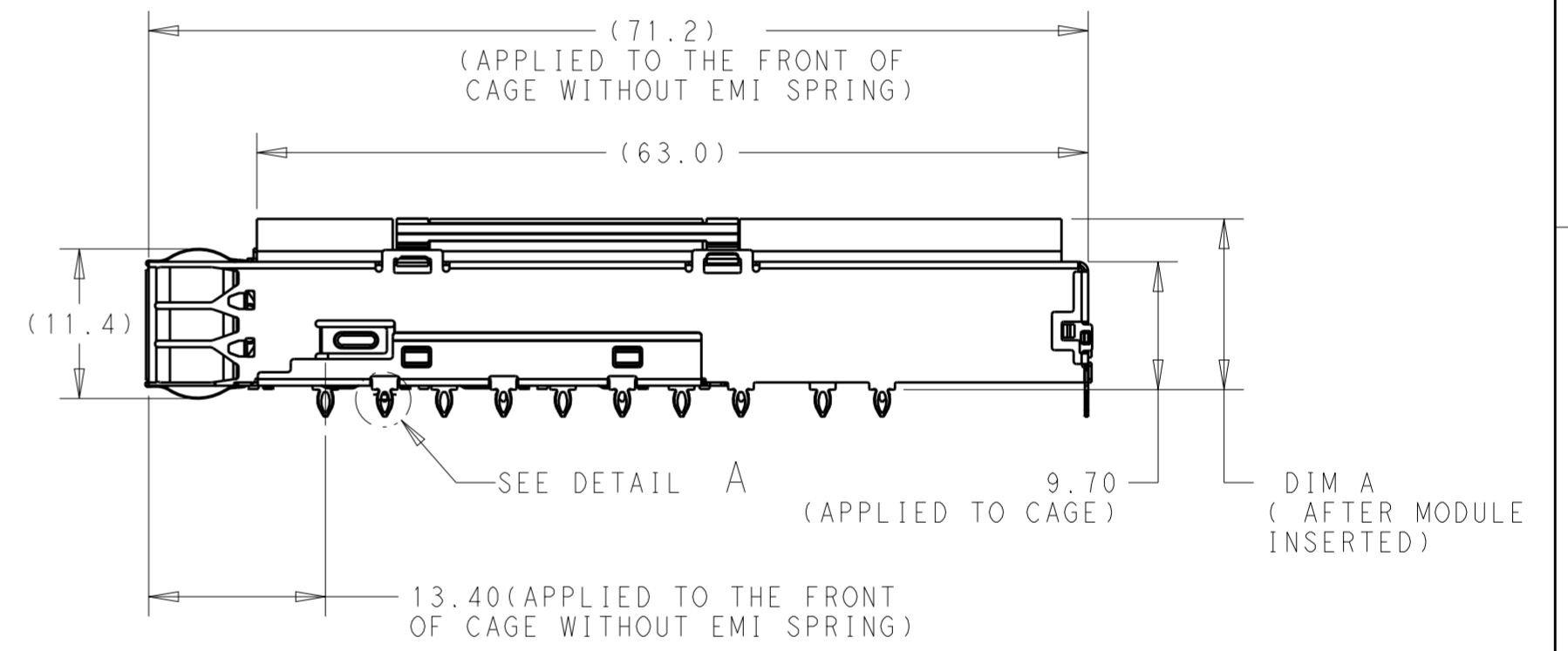
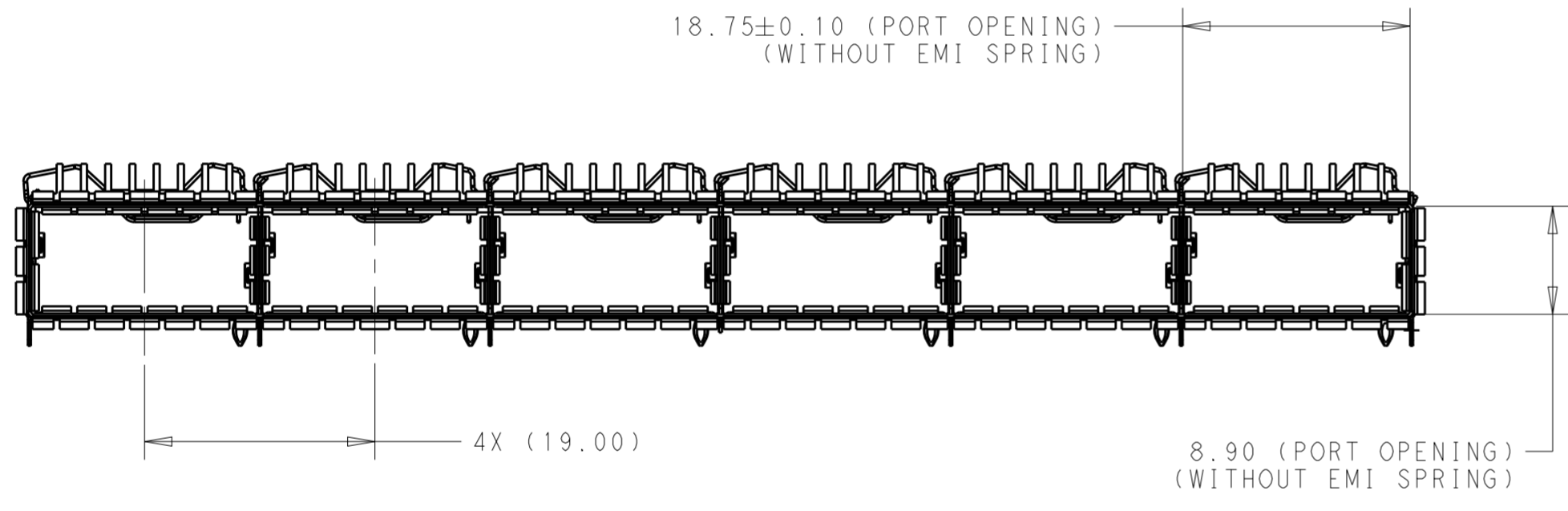


THIS DRAWING IS UNPUBLISHED. RELEASED FOR PUBLICATION 20
 © COPYRIGHT 20 BY - ALL RIGHTS RESERVED.

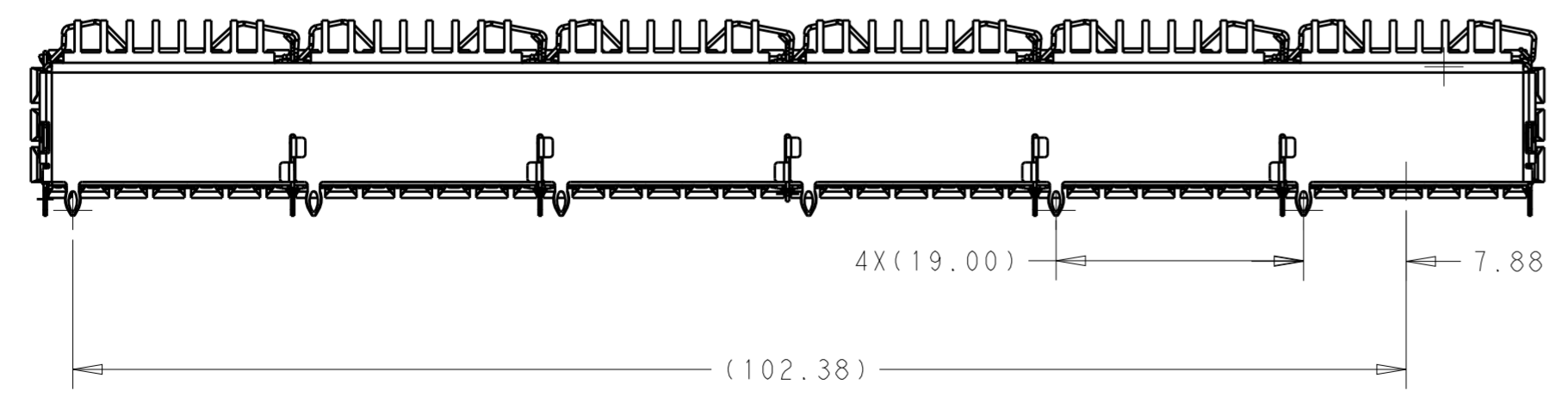
REVISIONS				
P	LTR	DESCRIPTION	DATE	APVD
1		INITIAL RELEASE	23AUG2018	SH SH
2		ADDED DIMENSION FOR PLUGGED IN	09NOV2018	SH SH
A		INITIAL RELEASE	12JUN2019	SH SH



- 1 CAGE ASSEMBLY: STAINLESS STEEL
HEAT SINK: ALUMINUM/ANODIZED BLACK
HEAT SINK CLIP: STAINLESS STEEL
EMI SPRING: COPPER ALLOY/ NICKEL PLATED
- 2 REFERENCE APPLICATION SPECIFICATION 114-60025 FOR RECOMMENDED DRILL HOLE DIAMETER AND PLATING THICKNESS. BOARD LAYOUT PER THIS PRINT.
- 3 DATUM AND BASIC DIMENSION ESTABLISHED BY CUSTOMER
- 4 DATE CODE(YYWWD) MARKED APPROXIMATELY AS SHOWN.
- 5. MATES WIHT QSFP-DD MSA COMPATIBLE TRANSCEIVER.
- 6. MINIMUM PC BOARD THICKNESS:
SINGLE SIDED: 1.57 MIN
DOUBLE SIDED: 3.00 MIN



DETAIL A
SCALE 4:1



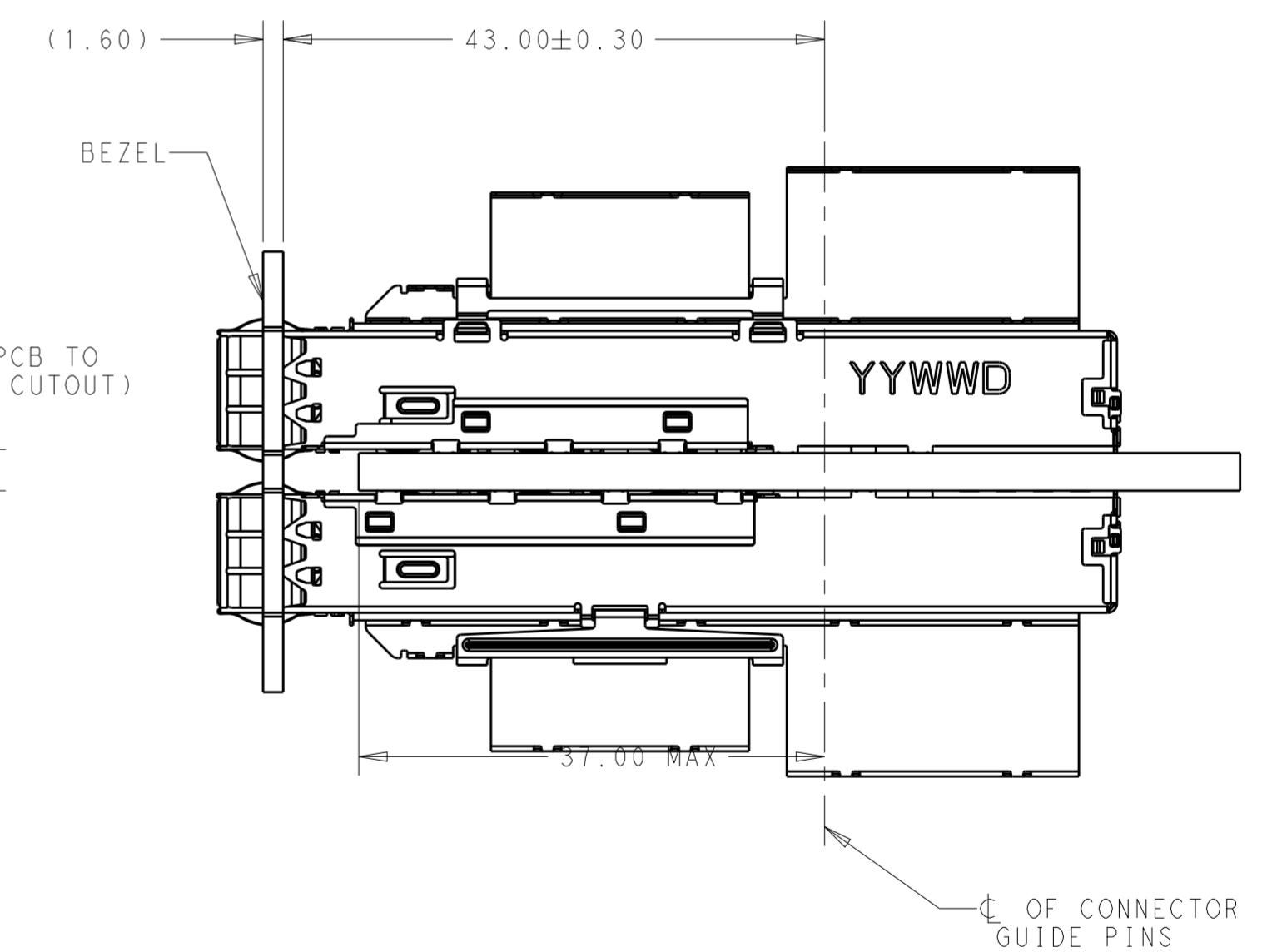
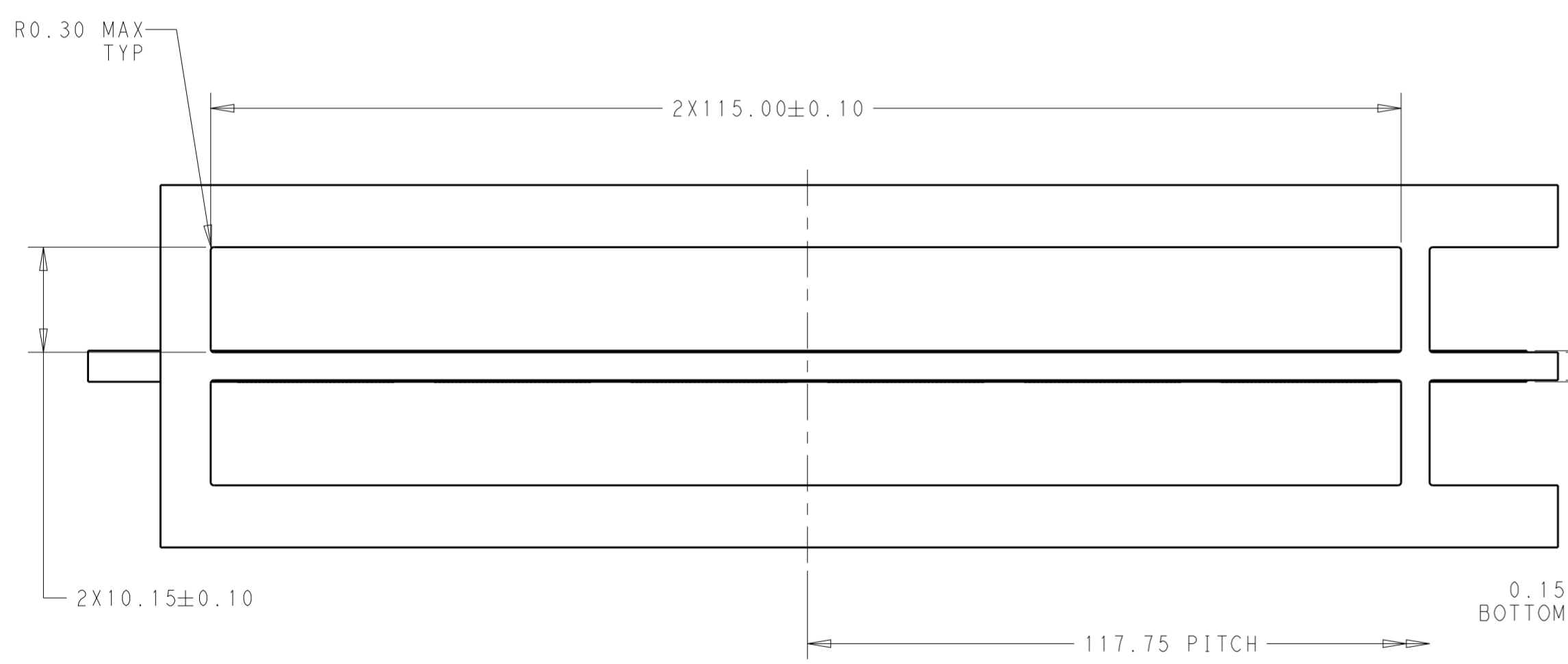
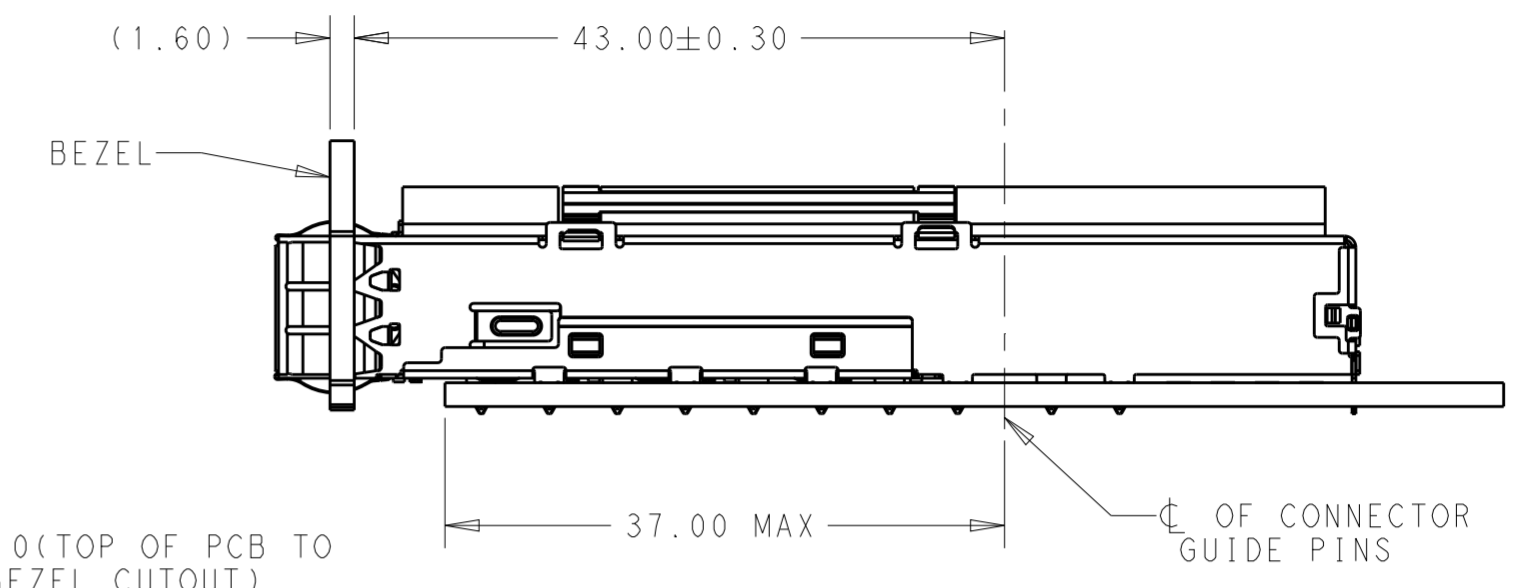
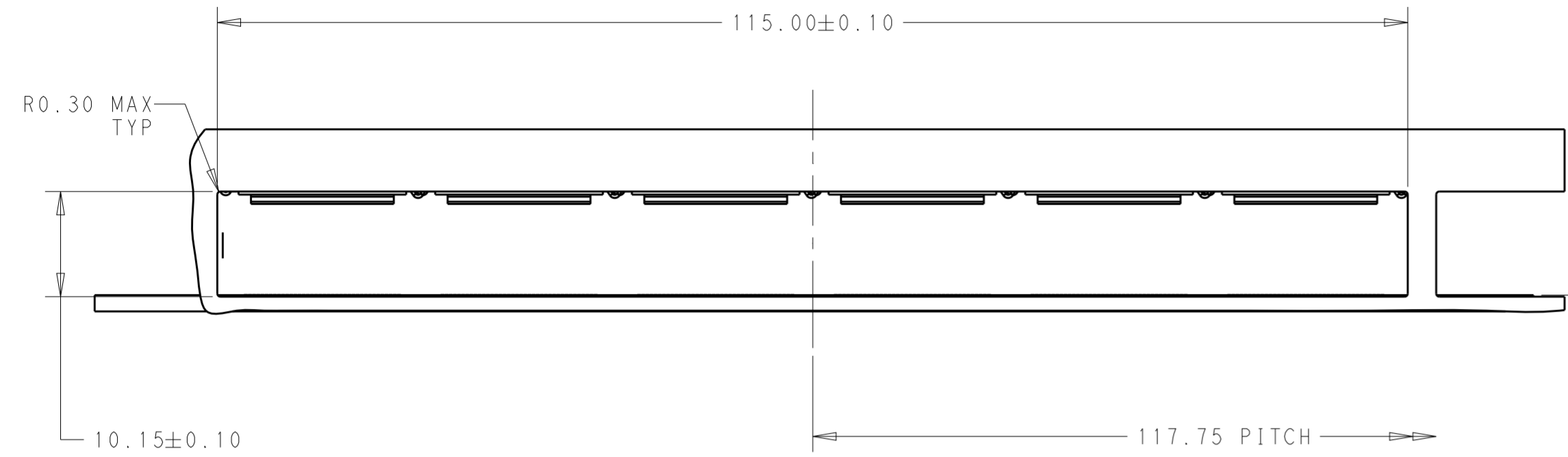
SCALE 2:1

NET	23.00	2342891-3	CAGE ASSY WITH NET HS	3
SAN	16.00	2342891-2	CAGE ASSY WITH SAN HS	2
PCI	13.70	2342891-1	CAGE ASSY WITH PCI HS	1
HS SPECIFICATION	DIM A	PART NUMBER	DESCRIPTION	ITEM

THIS DRAWING IS A CONTROLLED DOCUMENT.		DWN STEPHEN HE 23AUG2018	TE Connectivity		
DIMENSIONS:		CHK SEAN HAN 23AUG2018			
TOLERANCES UNLESS OTHERWISE SPECIFIED:		APVD SEAN HAN 23AUG2018			
mm	0 PLC ±0.25 1 PLC ±0.25 2 PLC ±0.25 3 PLC ± 4 PLC ± ANGLES ±1 FINISH	PRODUCT SPEC - APPLICATION SPEC - WEIGHT -	NAME CAGE ASSEMBLY WIHT HEAT SINK FOR GM QSFP-DD 1X6 EXTRUSION		
MATERIAL	-	SIZE A2	CAGE CODE -	DRAWING NO C-2342891	RESTRICTED TO -
CUSTOMER DRAWING			SCALE 1:1	SHEET 1 OF 5	REV A

THIS DRAWING IS UNPUBLISHED. RELEASED FOR PUBLICATION 20
 © COPYRIGHT 20 BY - ALL RIGHTS RESERVED.

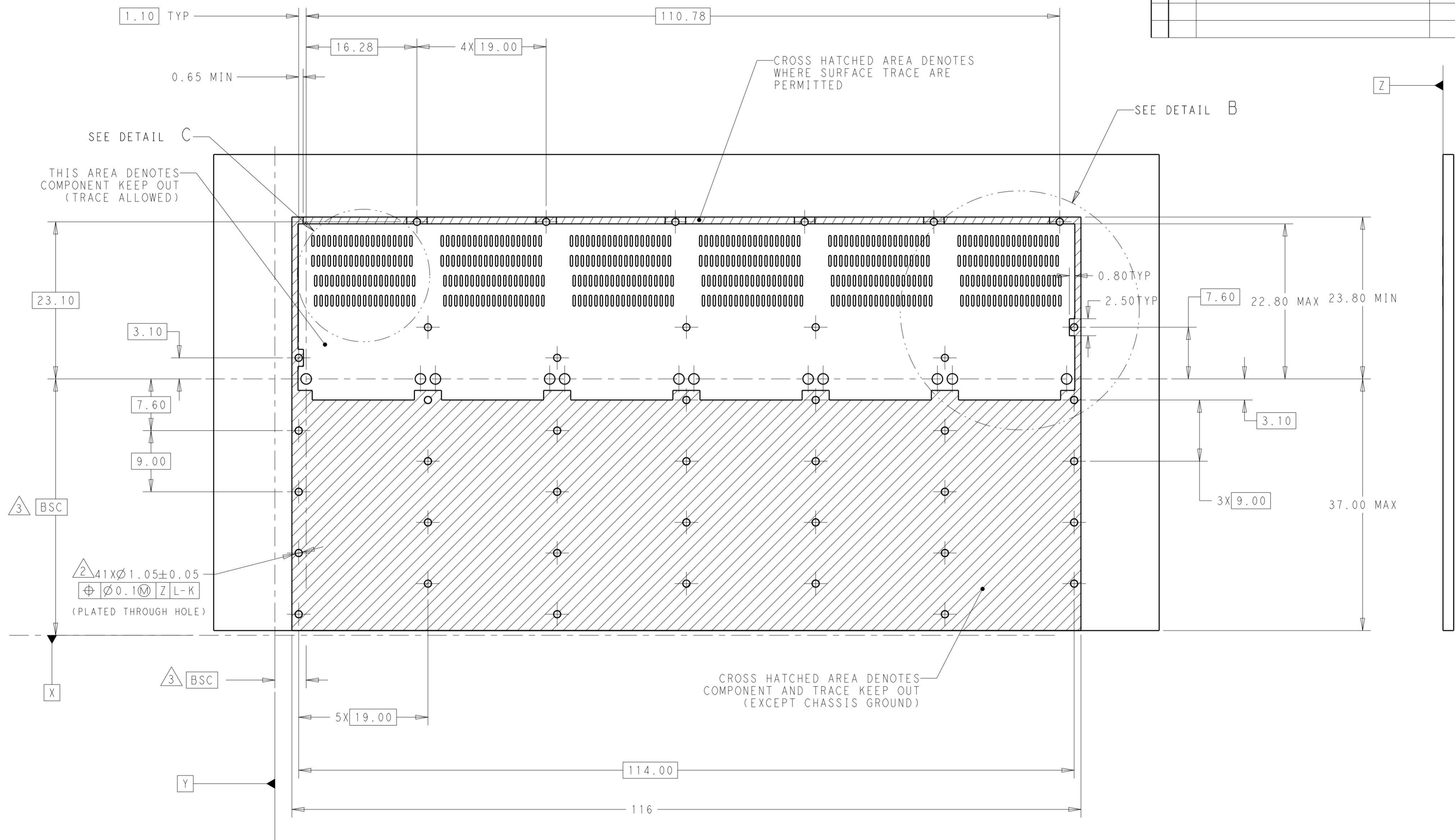
REVISIONS				
P	LTR	DESCRIPTION	DATE	APVD
-	-	SEE SHEET 1	-	-




THIS DRAWING IS A CONTROLLED DOCUMENT.		DWN STEPHEN HE 23AUG2018	TE Connectivity	
DIMENSIONS:		CHK SEAN HAN 23AUG2018		
mm	TOLERANCES UNLESS OTHERWISE SPECIFIED:	APVD SEAN HAN 23AUG2018	NAME CAGE ASSEMBLY WIHT HEAT SINK FOR GM QSFP-DD 1X6 EXTRUSION	
0 PLC	±0.25	PRODUCT SPEC	SIZE	RESTRICTED TO
1 PLC	±0.25	APPLICATION SPEC	A2	-
2 PLC	±0.25	WEIGHT	CAGE CODE	DRAWING NO
3 PLC	±	CUSTOMER DRAWING	-	C-2342891
4 PLC	±	SCALE	1:1	SHEET
ANGLES	±1	SCALE	1:1	2 OF 5
FINISH	-	SCALE	1:1	REV
-	-	SCALE	1:1	A

THIS DRAWING IS UNPUBLISHED. RELEASED FOR PUBLICATION 20
 © COPYRIGHT 20 BY - ALL RIGHTS RESERVED.

REVISIONS				
P	LTR	DESCRIPTION	DATE	APVD
-	-	SEE SHEET 1	-	-

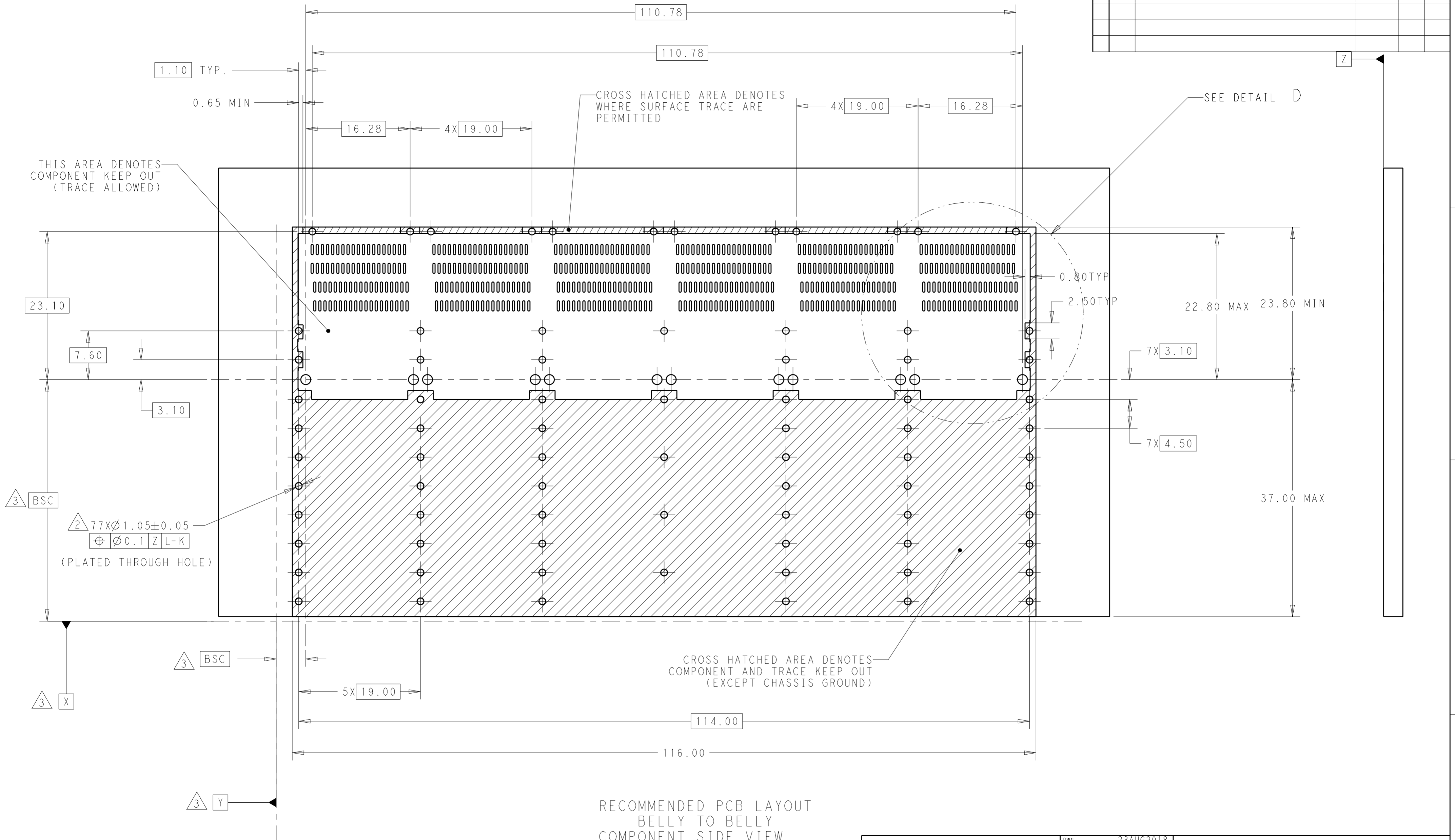


RECOMMENDED PCB LAYOUT
 SINGLE TYPE
 COMPONENT SIDE VIEW

THIS DRAWING IS A CONTROLLED DOCUMENT.		DWN STEPHEN HE 23AUG2018	 TE Connectivity	NAME CAGE ASSEMBLY WIHT HEAT SINK FOR GM QSFP-DD 1X6 EXTRUSION		
DIMENSIONS: mm		CHK SEAN HAN 23AUG2018		SIZE A2	CAGE CODE -	DRAWING NO C-2342891
TOLERANCES UNLESS OTHERWISE SPECIFIED: 0 PLC ±0.25 1 PLC ±0.25 2 PLC ±0.25 3 PLC ± 4 PLC ± ANGLES ±1 FINISH		APVD SEAN HAN 23AUG2018		RESTRICTED TO -	SCALE 1:1	SHEET 3 OF 5
MATERIAL -		PRODUCT SPEC -		WEIGHT -	REV A	
CUSTOMER DRAWING			SCALE 1:1 SHEET 3 OF 5 REV A			

THIS DRAWING IS UNPUBLISHED. RELEASED FOR PUBLICATION 20
 © COPYRIGHT 20 BY - ALL RIGHTS RESERVED.

REVISIONS				
P	LTR	DESCRIPTION	DATE	APVD
-	-	SEE SHEET 1	-	-

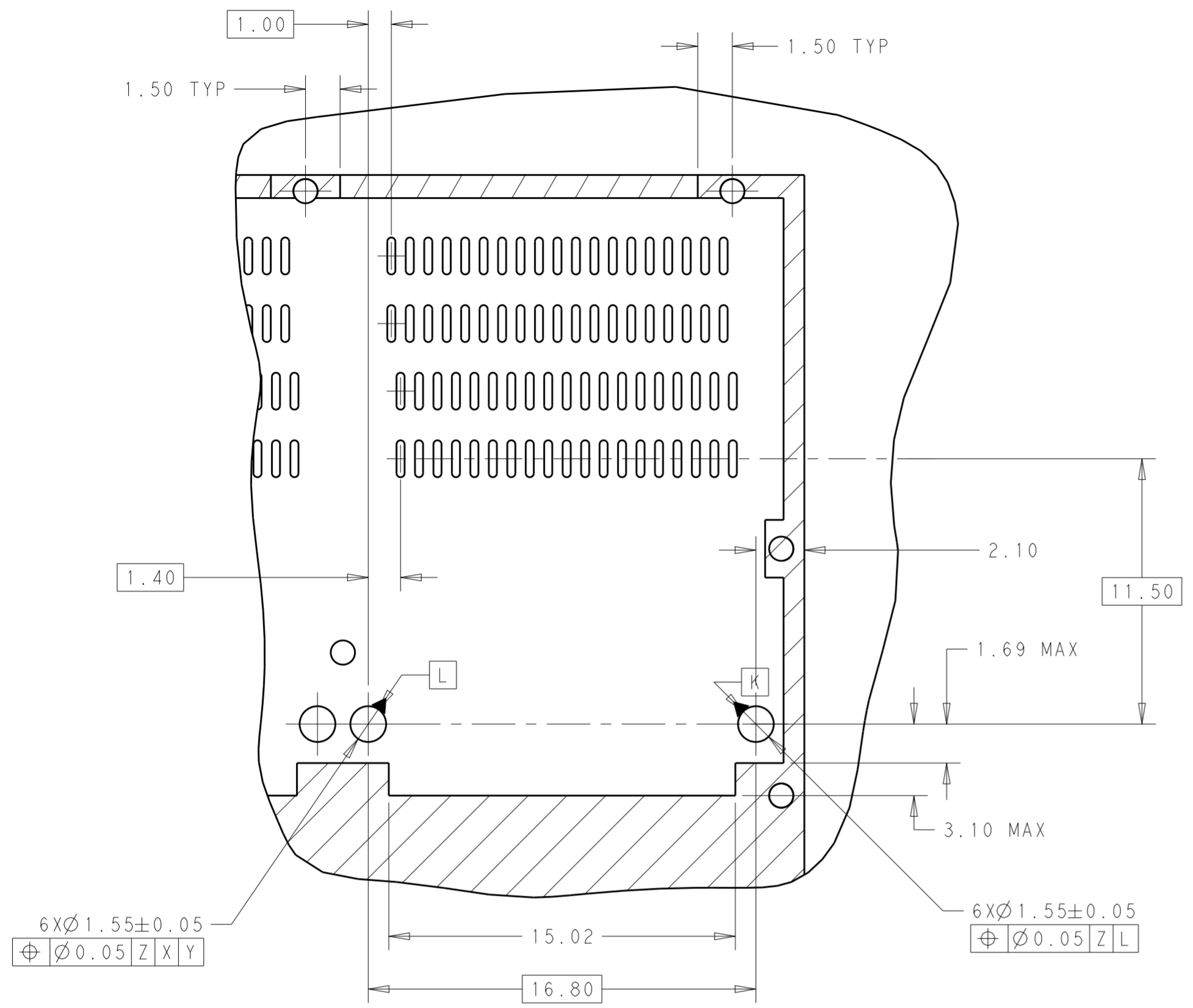


RECOMMENDED PCB LAYOUT
 BELLY TO BELLY
 COMPONENT SIDE VIEW

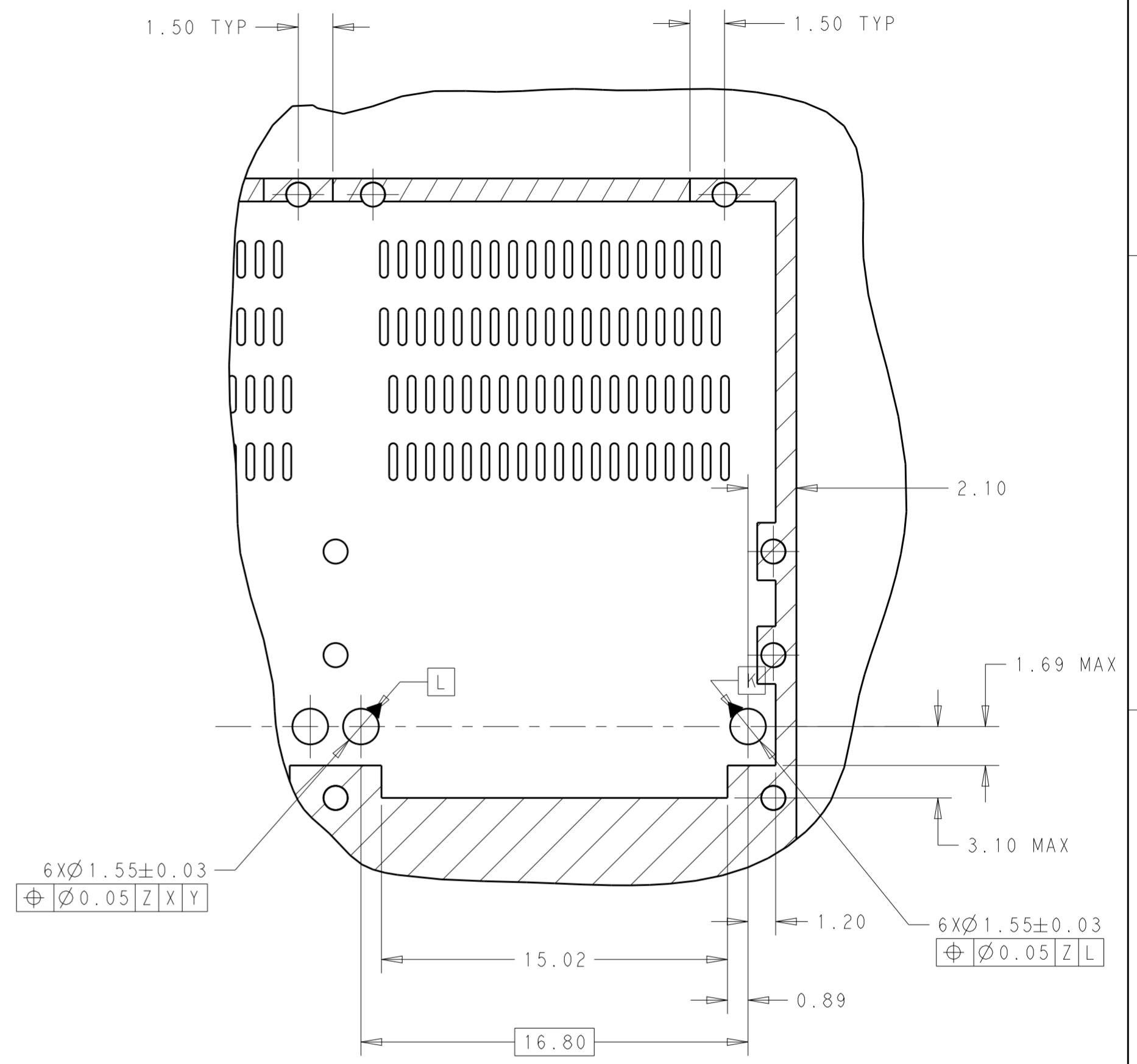
THIS DRAWING IS A CONTROLLED DOCUMENT.		DWN STEPHEN HE 23AUG2018	TE Connectivity	
DIMENSIONS: mm		CHK SEAN HAN 23AUG2018		
TOLERANCES UNLESS OTHERWISE SPECIFIED:		APVD SEAN HAN 23AUG2018	NAME CAGE ASSEMBLY WIHT HEAT SINK FOR GM QSFP-DD 1X6 EXTRUSION	
0 PLC ±0.25 1 PLC ±0.25 2 PLC ±0.25 3 PLC ± 4 PLC ± ANGLES ±1 FINISH		PRODUCT SPEC -	SIZE A2	CAGE CODE -
MATERIAL -		APPLICATION SPEC -	DRAWING NO C-2342891	RESTRICTED TO -
-		WEIGHT -	SCALE 1:1	SHEET 4 OF 5
-		CUSTOMER DRAWING	REV A	

THIS DRAWING IS UNPUBLISHED. RELEASED FOR PUBLICATION 20
 © COPYRIGHT 20 BY - ALL RIGHTS RESERVED.

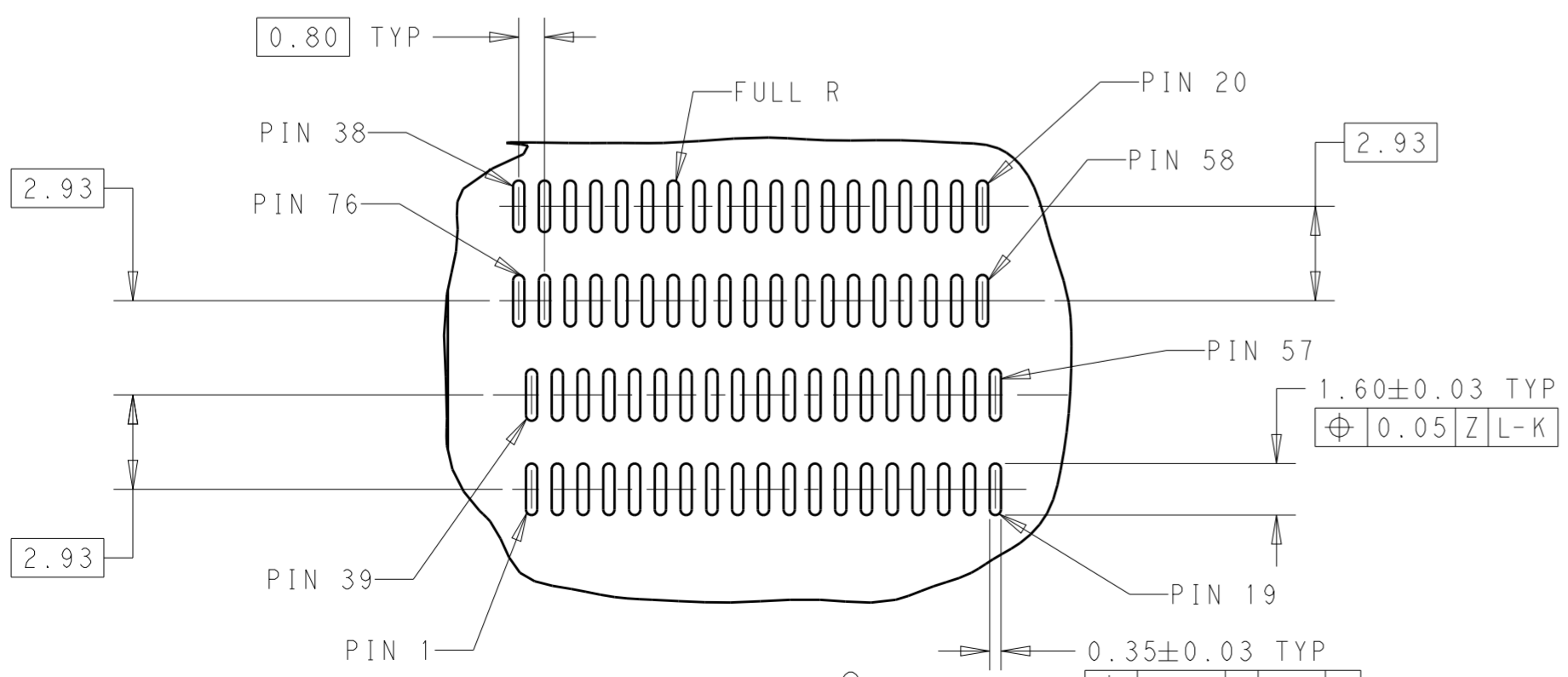
REVISIONS				
P	LTR	DESCRIPTION	DATE	APVD
-	-	SEE SHEET 1	-	-



DETAIL B
SCALE 5:1



DETAIL D
SCALE 5:1



DETAIL C
SCALE 5:1

THIS DRAWING IS A CONTROLLED DOCUMENT.		DWN STEPHEN HE 23AUG2018	TE Connectivity	
DIMENSIONS: mm		CHK SEAN HAN 23AUG2018		
TOLERANCES UNLESS OTHERWISE SPECIFIED:		APVD SEAN HAN 23AUG2018	NAME CAGE ASSEMBLY WIHT HEAT SINK FOR GM QSFP-DD 1X6 EXTRUSION	
0 PLC ±0.25		PRODUCT SPEC	SIZE A2	
1 PLC ±0.25		APPLICATION SPEC	CAGE CODE -	
2 PLC ±0.25		WEIGHT	DRAWING NO C-2342891	
3 PLC ±		CUSTOMER DRAWING	RESTRICTED TO -	
4 PLC ±		SCALE 1:1	SHEET 5 OF 5	
ANGLES ±1		REV A		
FINISH -				