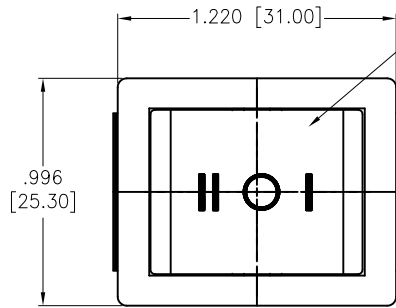


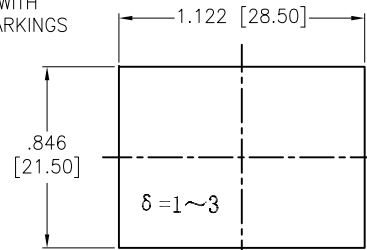
APPROVED: _____

DATE: _____ TITLE: _____

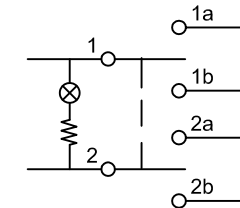
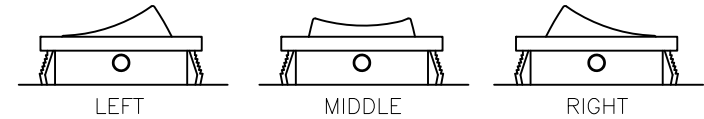
Rev	AWO #	Description	Date	Apr
-		RELEASED	11/18/21	



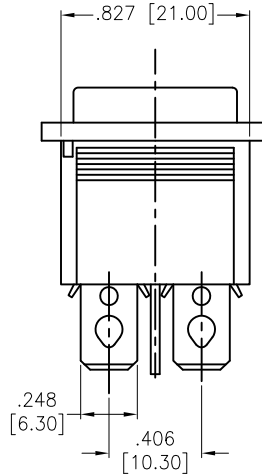
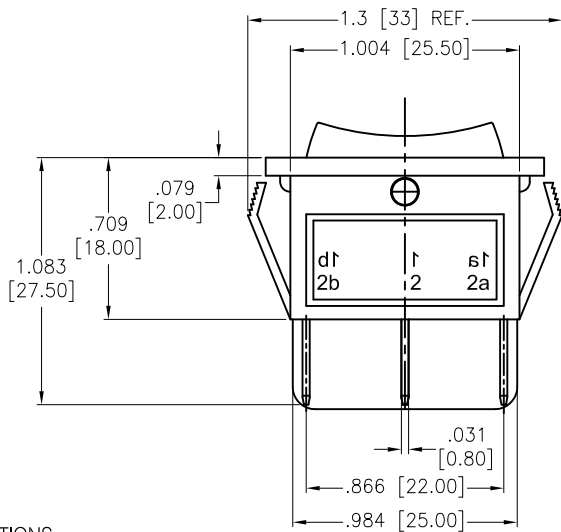
LIGHTED WITH WHITE MARKINGS



RECOMMENDED PANEL CUT-OUT

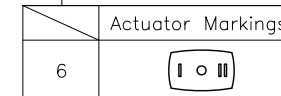


CIRCUIT DIAGRAM (DPDT) ON-OFF-ON



SW-R1-4E-E-LXXX-0

	Lighted Actuator
W	Lighted White
R	Lighted Red
G	Lighted Green
Y	Lighted Yellow (Amber)
B	Lighted Blue
O	Lighted Orange



	LED Voltage
1	3V
2	6V
3	12V
4	24V
5	48V
6	110V
7	220V

SPECIFICATIONS:

Body: Nylon 66, Color Black, Rated UL 94V-0

Terminal: Brass, Silver plated

Button: Nylon 66, Lighted color (See Chart). White color markings

Electrical:

The rated load: 12A 250VAC T85(Res)
 15A 250VAC T85/55 1E4
 16(6)A 250VAC
 20A 125VAC

Contact resistance: 50 mohms max

Insulation resistance: 100 Mohms min

Dielectric withstanding voltage: 1500 VAC/5S min

Mechanical:

Electrical life: 10000 Cycles min

Temperature Rating:

Operating temperature: -25°C to +85°C

Environmental:

Lead free, RoHS compliant



Replace "x" in P/N with the corresponding switch color and marking

UNLESS OTHERWISE SPECIFIED ALL DIMENSIONS ARE INCHES [MM]. TOLERANCES: EXCEPT AS NOTED

INCHES		HOLES	
X	±.10	∅X	±.10
.XX	±.020	∅.XX	±.015
.XXX	±.015	∅.XXX	±.010



909 Rahway Avenue,
 Union, NJ 07083
 Phone: 908-687-5000
 Fax: 908-687-5710

DRAWN	WX	11/18/21
CHECKED	RC	11/18/21
APPROVED		

TITLE SWITCH, MEDIUM ROCKER, DPDT, ON-OFF-ON, QC .250 [6.35MM], LIGHTED

THIS DRAWING CONTAINS INFORMATION THAT IS PROPRIETARY AND SHOULD NOT BE USED WITHOUT PRIOR WRITTEN PERMISSION FROM ADAM TECH

SIZE X	PART NO. SW-R1-4E-E-LXXX-0	REV. -
REF: S00206C	SCALE: NTS	SHEET 1 OF 1