

4

3

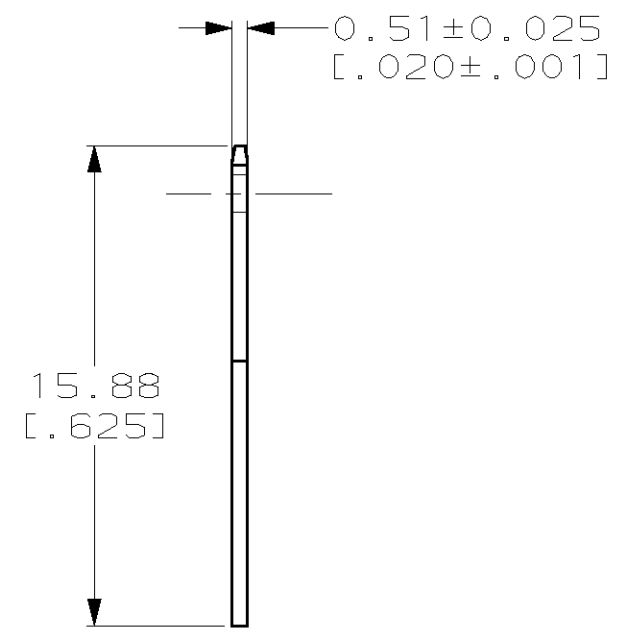
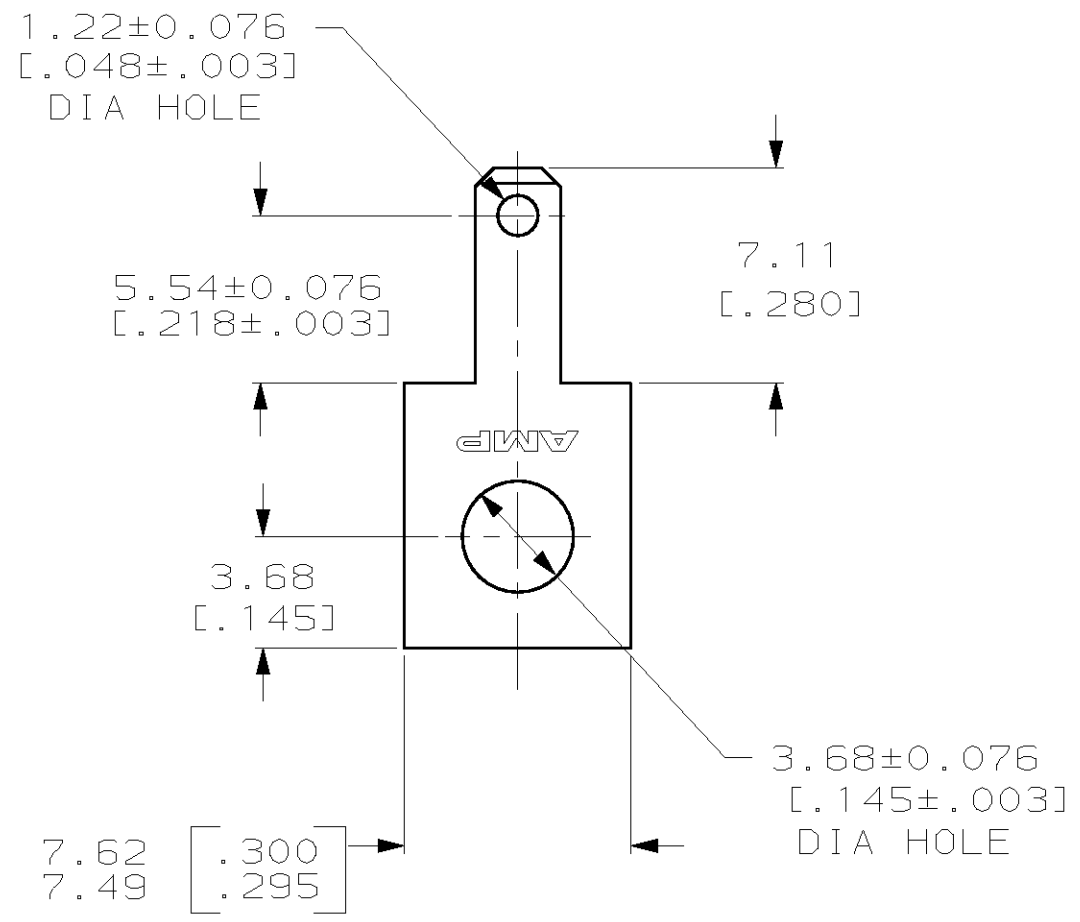
2

1

THIS DRAWING IS UNPUBLISHED. RELEASED FOR PUBLICATION, 19 .
 © COPYRIGHT 19 BY AMP INCORPORATED. ALL RIGHTS RESERVED.

LOC	DIST	REVISIONS			
P	LTR	DESCRIPTION	DATE	DWN	APVD
AF	00	A	REDRAWN & REV PER 0L10-0395-97	9/19/97	JR JH

1 SUPPLIED IN LOOSE PIECE.



PROPOSED DESIGN NOT RELEASED FOR PRODUCTION

1217008-1
PART NO.

THIS DRAWING IS A CONTROLLED DOCUMENT.		DWN JR RUTH 9/12/97	AMP Incorporated Harrisburg, PA 17105-3608	
DIMENSIONS: INCHES		CHK MS FEHER 9/12/97	NAME	
TOLERANCES UNLESS OTHERWISE SPECIFIED:		APVD J HUZVAR 9/12/97	TAB, FASTON™, 2.79 [.110] SERIES	
<ul style="list-style-type: none"> 0 PLC ±- 1 PLC ±- 2 PLC ±0.25 [.010] 3 PLC ±- 4 PLC ±- ANGLES ±- 		PRODUCT SPEC -	DRAWING NO C-1217008	
MATERIAL 082 BRASS		FINISH 0.002032 [.000080] MIN TIN	APPLICATION SPEC -	SCALE 4:1
		WEIGHT -	SIZE A3	CAGE CODE 00779
		CUSTOMER DRAWING	SHEET 1 OF 1	REV A