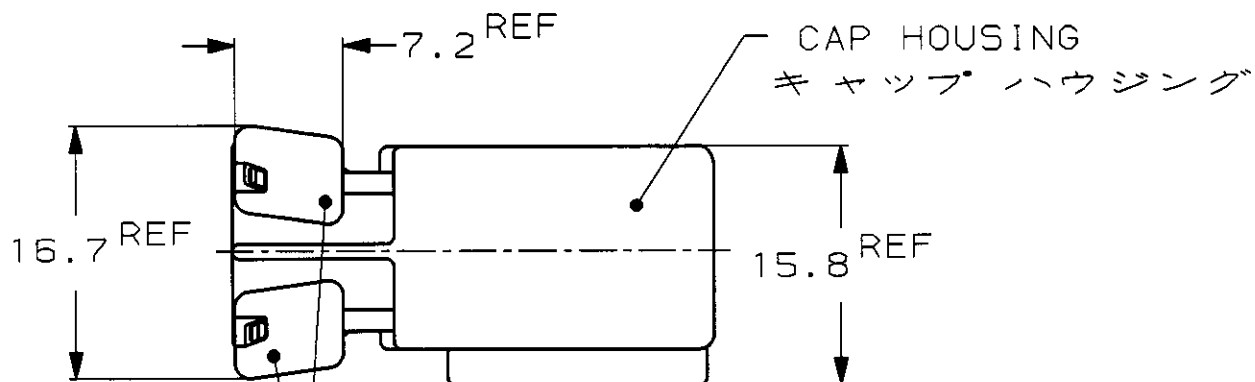
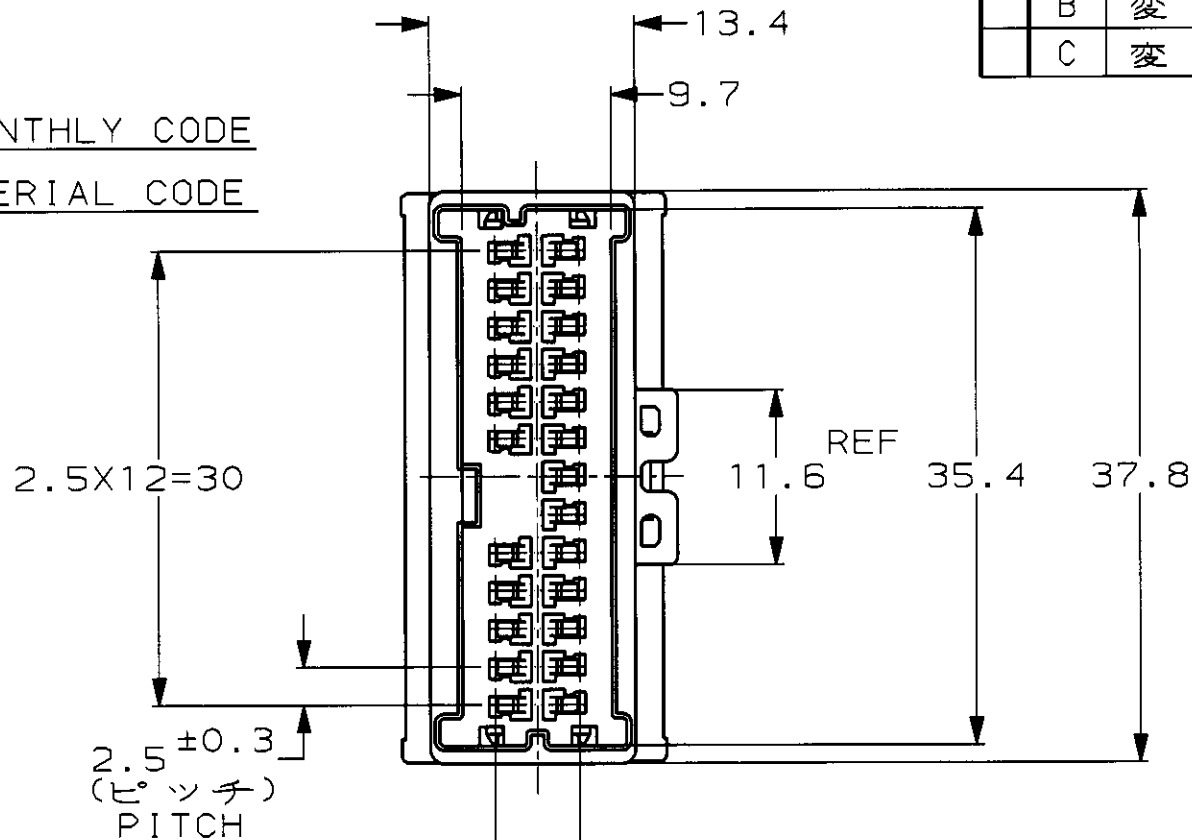
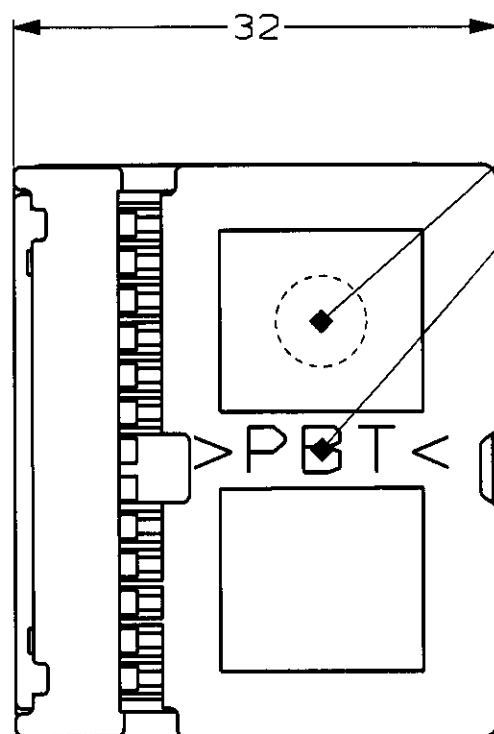
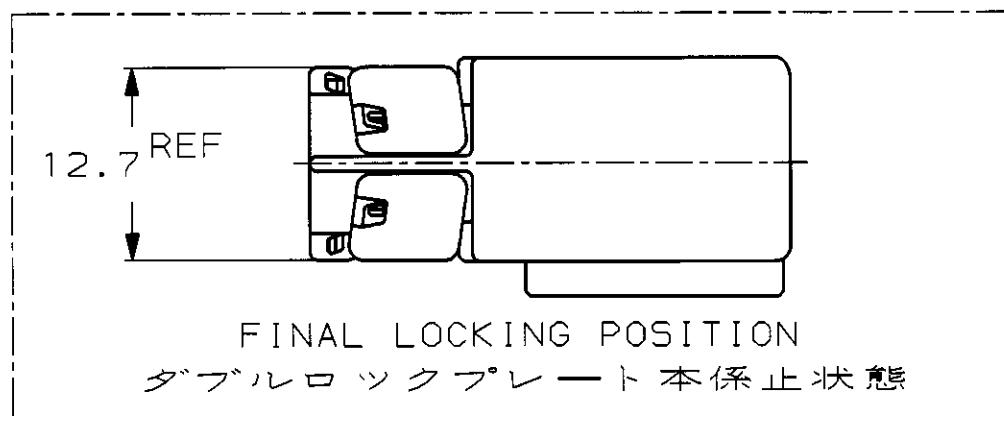


P	LTR	DESCRIPTION	ECN	DATE	OWN	APVD
	A	再作成 REDRAWN	FJ00-0506-98	10APR98	TM	MT
	B	変更 REVISED	FJ00-1797-99	29OCT99	KS	MT
	C	変更 REVISED	FJ00-2112-99	08DEC99	KS	MT



DOUBLE LOCK PLATE (NATURAL)
ダブルロックプレート (自然色)



1123387-1	353537-1 353537-2 (Au)	自然色 (NATURAL)	1123364-1
嵌合相手ハウジング型番 MATING HOUSING PART NUMBER	適用端子型番 APPLICABLE CONTACT PART NUMBER	色 (COLOR)	型番 PART NUMBER
<small>THIS DRAWING IS A CONTROLLED DOCUMENT FOR AMP INCORPORATED. IT IS SUBJECT TO CHANGE AND THE CONTROLLING ENGINEERING ORGANIZATION SHOULD BE CONTACTED FOR THE LATEST REVISION.</small>		<small>OWN 08APR98 T. MINEMATSU CHK 08APR98 E. SASAKI APVD 10APR98 M. TSUKAKOSHI</small>	
<small>DIMENSIONS: 単位: 概 mm</small>		<small>TOLERANCES UNLESS OTHERWISE SPECIFIED</small>	
		<small>一般公差 10% : ±0.2 30% : ±0.25 100% : ±0.3 ANGLE : ±0.3°</small>	
<small>MATERIAL 材料</small> PBT		<small>FINISH 仕上</small>	
<small>WEIGHT</small> 8.9g		<small>NAME</small> 040III MULTILOCK CONNECTOR 24POSITION CAP HOUSING ASSEMBLY (WIRE TO WIRE) <small>製品規格</small> 108-5607 <small>取付運用規格</small> 114-5228	
<small>CUSTOMER DRAWING</small>		<small>SIZE</small> A3 <small>CAGE CODE</small> 00779 <small>DRAWING NO</small> 1123364 <small>RESTRICTED TO</small> -	
<small>SCALE</small> 2:1 <small>SHEET</small> 1 OF 1 <small>REV</small> C		<small>参考図面</small>	