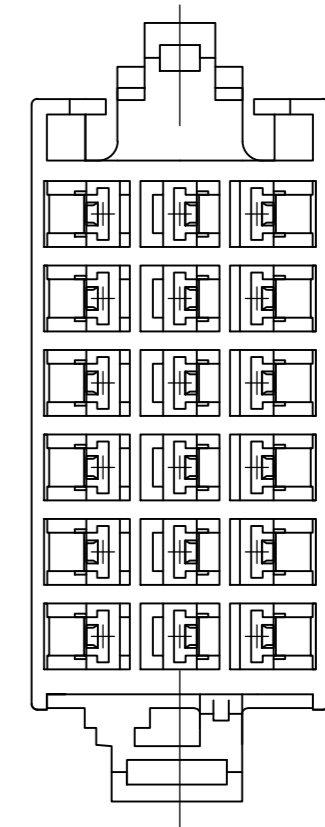
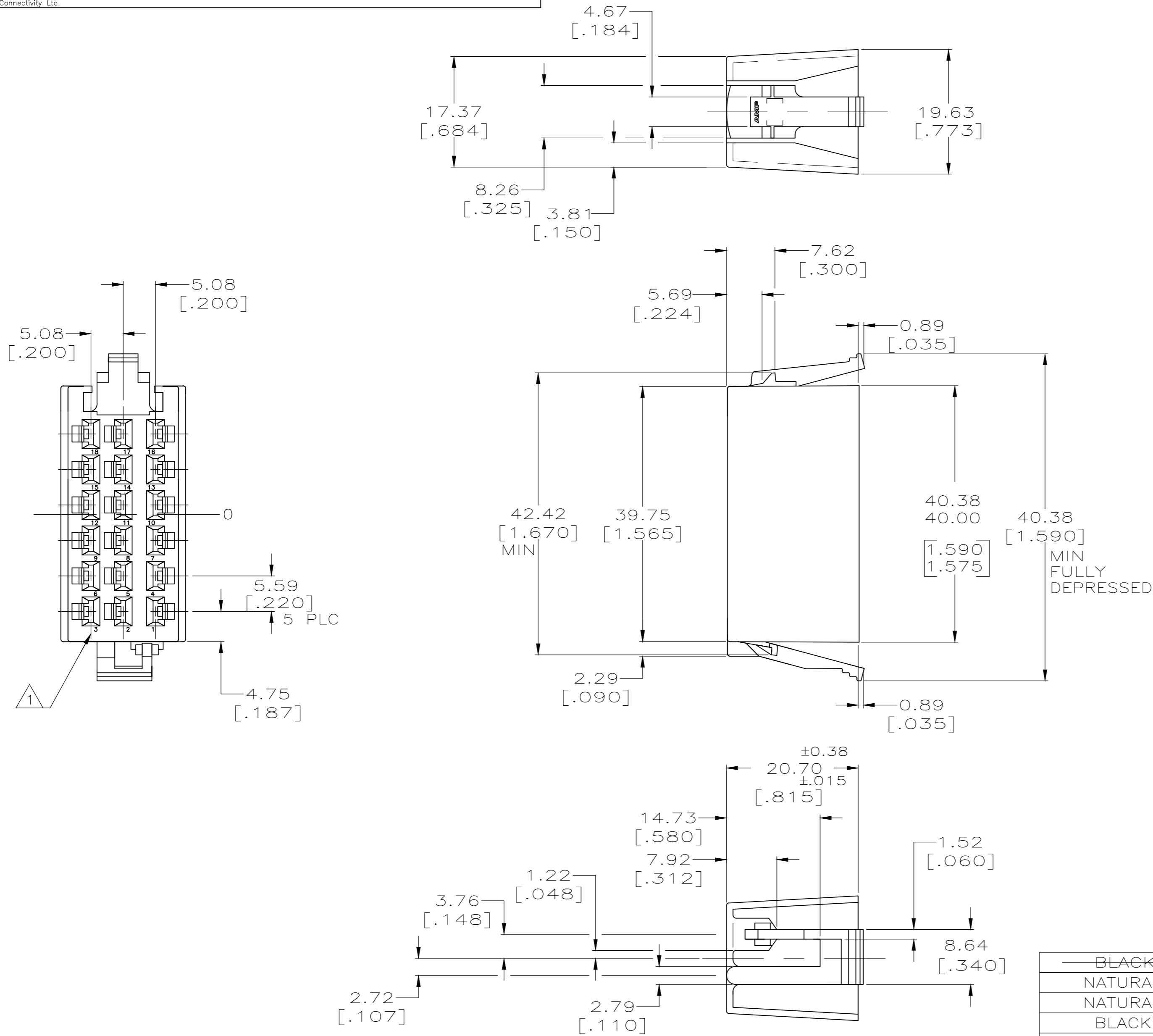


THIS DRAWING IS UNPUBLISHED. RELEASED FOR PUBLICATION  
 © COPYRIGHT - TE Connectivity Ltd. ALL RIGHTS RESERVED.

REVISIONS					
P	LTR	DESCRIPTION	DATE	DWN	APVD
V3		REVISED PER ECR-18-008168	09JUL18	MD	TD

- ① CIRCUIT IDENTIFICATION.
- ② FOREIGN PRODUCTION ONLY.
- ③ OBSOLETE PARTS: OBSOLETE CIS STREAMLINING PER D.RENAUD/D.SINISI
- ④ OBSOLETE



FINISH	MATERIAL	PART NUMBER
BLACK	NYLON 6/66, UL 94V=0	770199-4 ④
NATURAL	NYLON 6/6	② 770199-3
NATURAL	NYLON 6/6, UL94 V=0	② 770199-2 ③
BLACK	NYLON 6/6	770199-1

THIS DRAWING IS A CONTROLLED DOCUMENT.		DWN M.S. FEHER 10NOV2000	TE Connectivity Ltd.	
DIMENSIONS: mm [INCHES]		CHK J.R. RUTH 10NOV2000		
TOLERANCES UNLESS OTHERWISE SPECIFIED:		APVD DON DECKER 10NOV2000	NAME HOUSING, RIGHT HAND, 18 CIRCUIT, TIMER CONNECTOR	
0 PLC ± - 1 PLC ± - 2 PLC ± 0.25 [.010] 3 PLC ± - 4 PLC ± - ANGLES ± -		PRODUCT SPEC -	SIZE A2	
MATERIAL SEE TABLE		APPLICATION SPEC -	CAGE CODE 00779	DRAWING NO C=770199
FINISH SEE TABLE		WEIGHT 0,000000	RESTRICTED TO -	SCALE 2:1
		CUSTOMER DRAWING	SHEET 1 of 1	REV V3