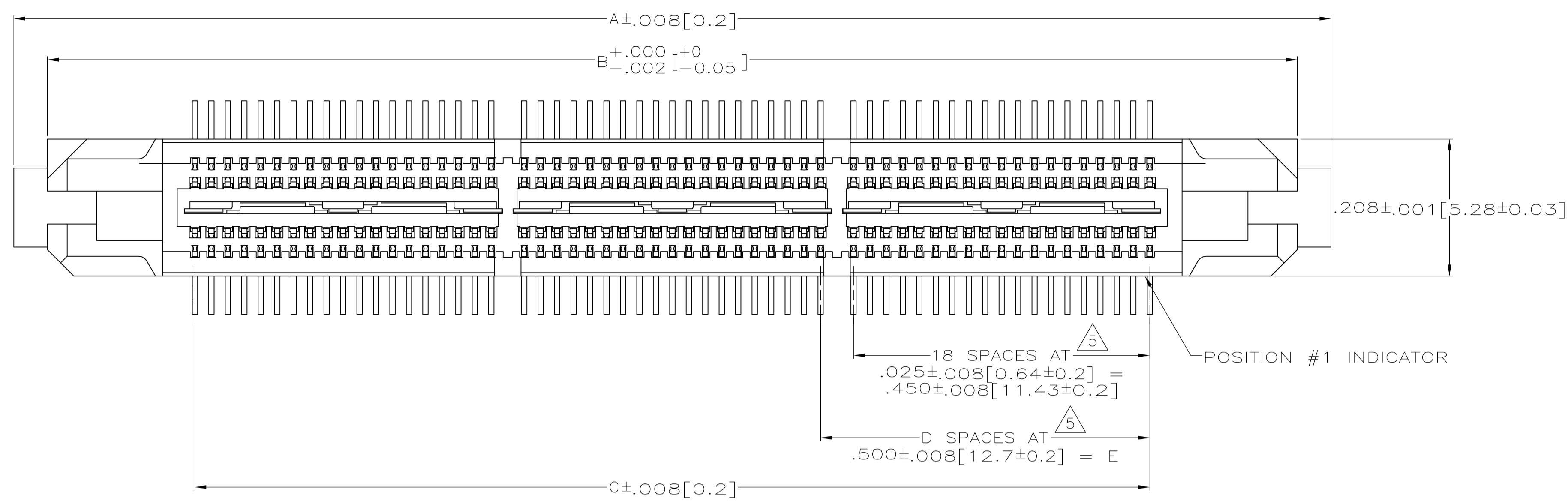
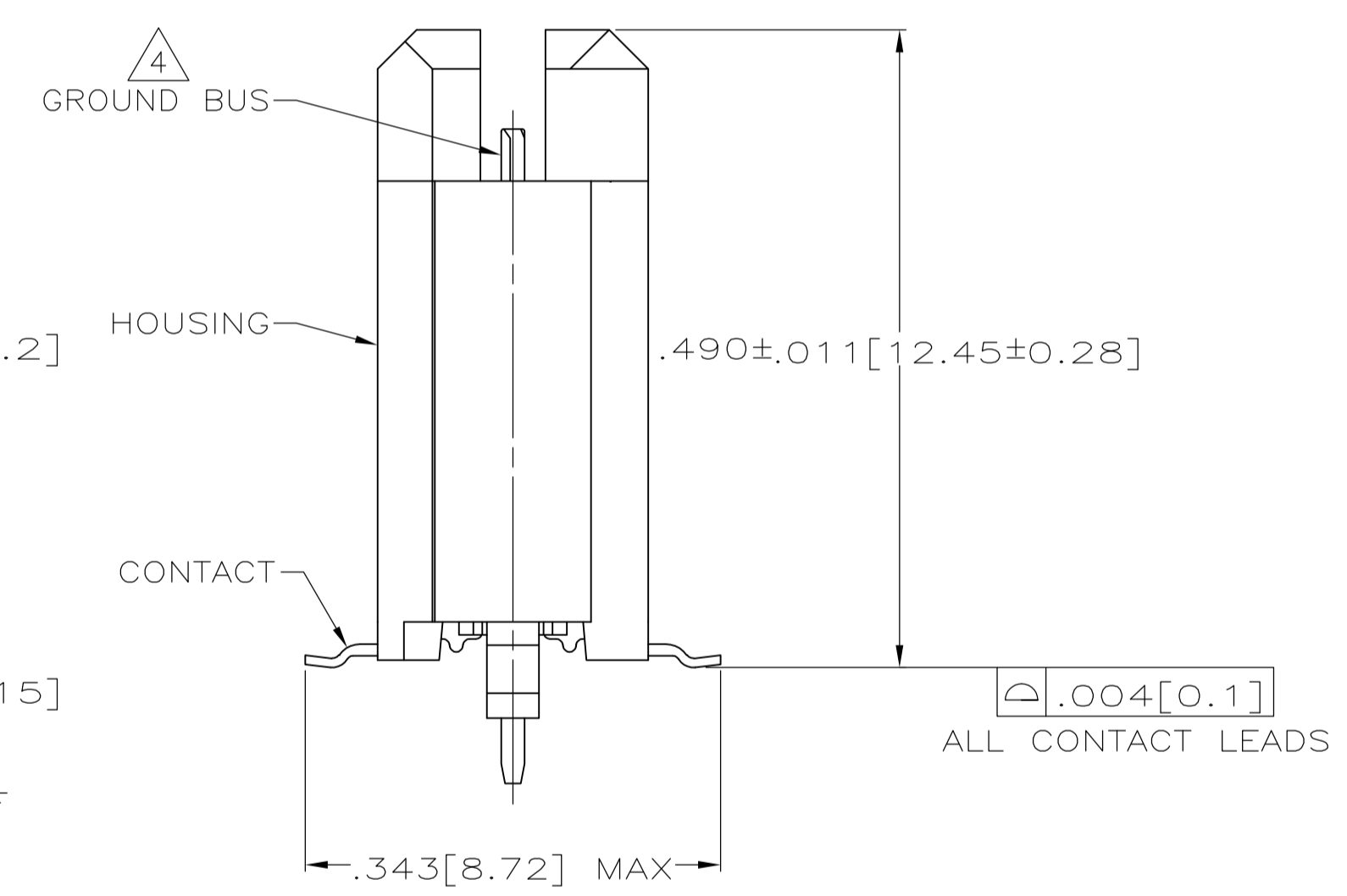
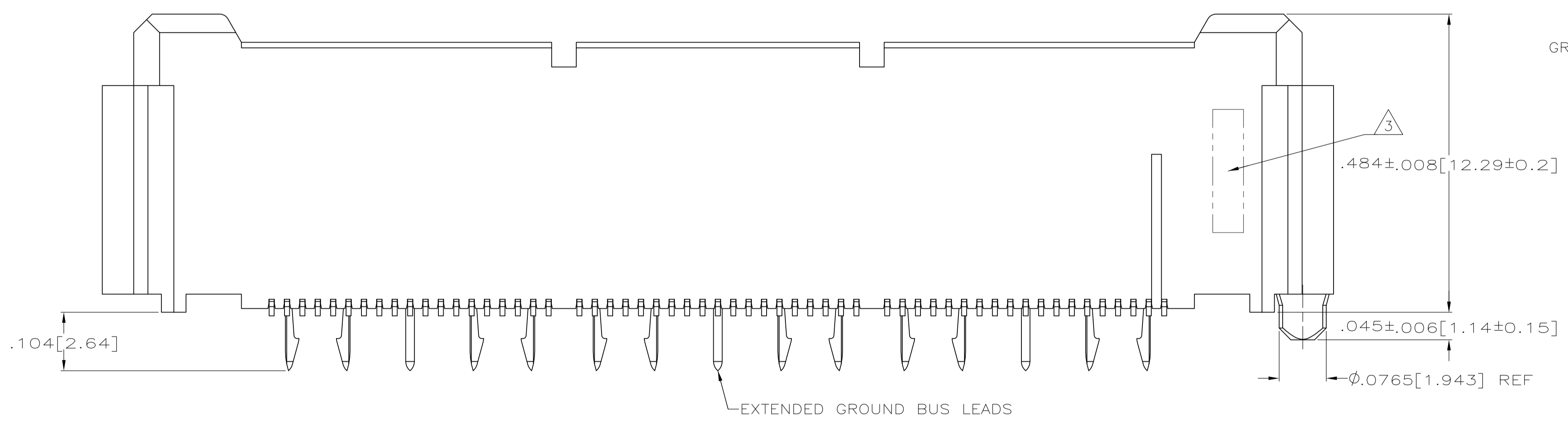


LOC		DIST		REVISIONS				
AD	47	REV	DATE	DESCRIPTION	DATE	BY	APPV	
E2		REVISED PER ECO-12-007590	19JUL12			KH	MH	



- $\triangle 1$ HOUSING: LIQUID CRYSTAL POLYMER, COLOR BLACK.
CONTACTS: HIGH RELIABILITY COPPER ALLOY.
GROUND BUSSES: BRASS, UNS C26000
- $\triangle 2$ CONTACTS & GROUND BUSSES: NICKEL UNDERPLATE ALL OVER, MATING SURFACE PLATED TO MEET LEVEL 2 PERFORMANCE REQUIREMENTS OF TE PRODUCT SPECIFICATION 108-1422, SOLDER TAILS PLATED TIN-LEAD.
- $\triangle 3$ DATE CODE MARKED IN AREA INDICATED ON SIDE OPPOSITE POSITION #1.
- $\triangle 4$ ONE GROUND BUS WITH 5 TAILS PER EACH MODULE.
- $\triangle 5$ TOLERANCE NON-ACCUMULATIVE.
- $\triangle 6$ FOR STANDARD APPLICATIONS, ORIENTATION HOLE TO BE $\phi .094 \pm .002 [2.39 \pm 0.05]$.
FOR SLIP-FIT APPLICATIONS, ORIENTATION HOLE TO BE $\phi .079 \pm .001 [2.00 \pm 0.03]$.
- $\triangle 7$ CONNECTORS PACKAGED ON 13 INCH DIA REELS PER EIA 481.



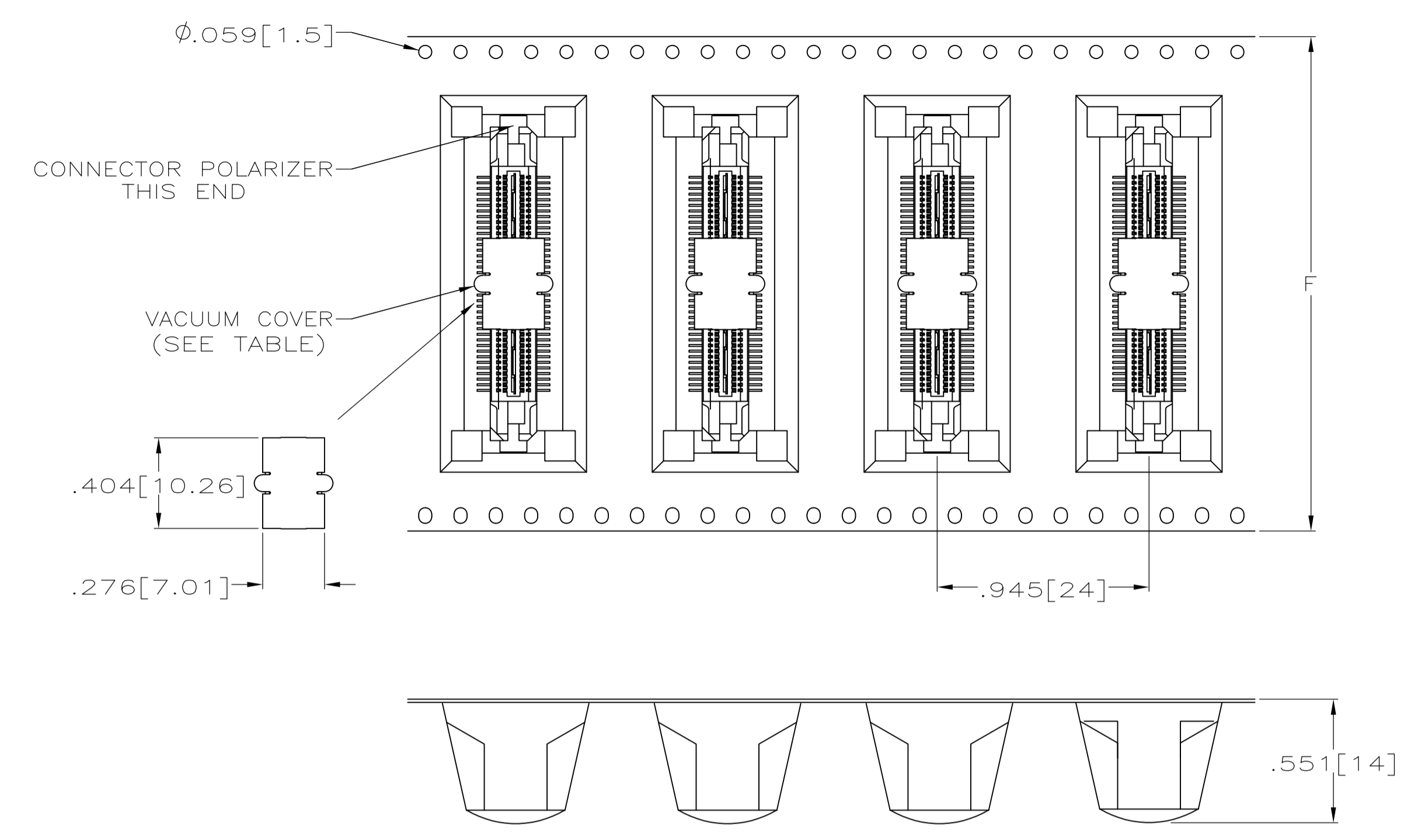
SEE SHEET 2 FOR RECOMMENDED PC BOARD LAYOUT AND PACKAGING DETAIL

$\triangle 8$	NO	4.724 [120]	3.000 [76.2]	6	3.450 [87.63]	3.898 [99.01]	4.000 [101.6]	266	1-767151-4
	VACUUM COVER INCLUDED	F	E	D	C	B	A	NO OF POS	PART NUMBER

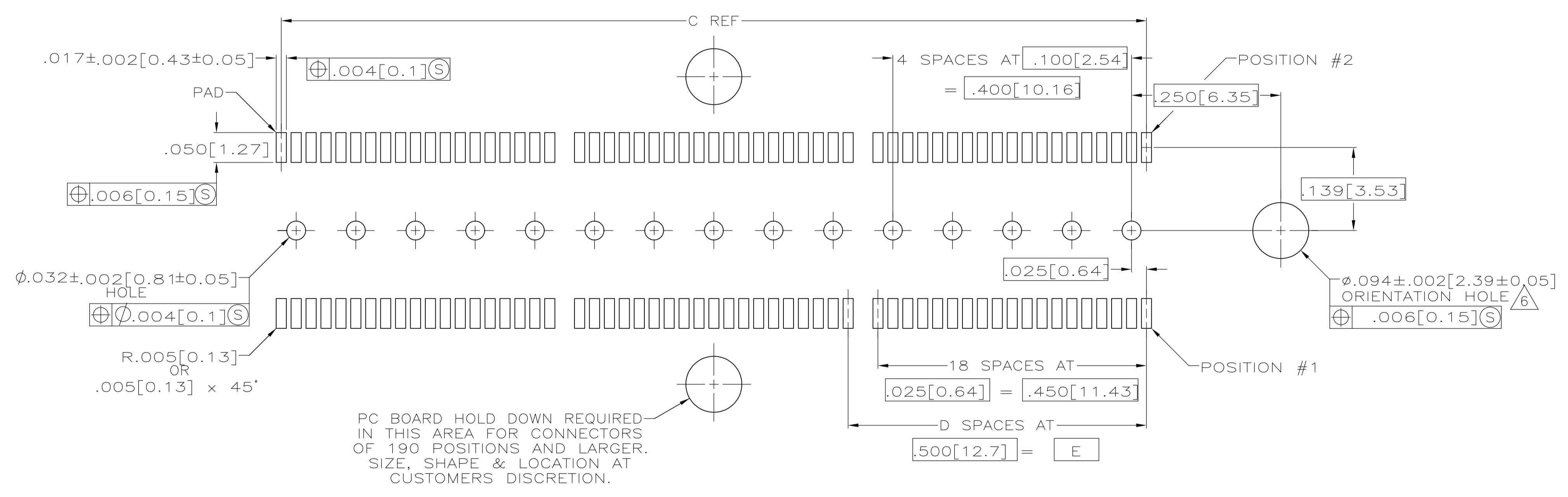
THIS DRAWING IS A CONTROLLED DOCUMENT.

DIMENSIONS: INCHES	TOLERANCES UNLESS OTHERWISE SPECIFIED:	DIN J. GERACE 07JUN00	APVD D. DIXON 07JUN00	NAME
0. PLC ± -	1. PLC ± -	PRODUCT SPEC	108-1422	PLUG ASSEMBLY, .495 [12.57] VERTICAL, .025 [0.64] CL, GULL WING LEADS, POCKET TAPE PACKAGED, MICTOR
2. PLC ± -	3. PLC ± .005 (0.13)	APPLICATION SPEC	114-11004	SIZE: A1
4. PLC ± -	ANGLES ± -	WEIGHT	00779	DRAWING NO: 767151
MATERIAL $\triangle 1$	FINISH $\triangle 2$	CUSTOMER DRAWING	SCALE: 8:1	SHEET 1 OF 2

STE TE Connectivity



PACKAGING DETAIL \triangle
SCALE 2:1
DIMENSIONS ARE FOR REFERENCE



RECOMMENDED PC BOARD LAYOUT
(VIEWED FROM CONNECTOR SIDE)

THIS DRAWING IS A CONTROLLED DOCUMENT.		DWG	J. GERACE	07JUN00	 TE Connectivity
DIMENSIONS: INCHES		CHK	D. DIXON	07JUN00	
TOLERANCES UNLESS OTHERWISE SPECIFIED:		APVD			NAME
0. PLC	\pm				PRODUCT SPEC
1. PLC	\pm				APPLICATION SPEC
2. PLC	\pm				SIZE
3. PLC	\pm				CAGE CODE
4. PLC	\pm				DRAWING NO
ANGLES	\pm				RESTRICTED TO
MATERIAL		WEIGHT		A1	00779
					767151
CUSTOMER DRAWING		SCALE	8:1	SHEET	2 OF 2
		REV			E2