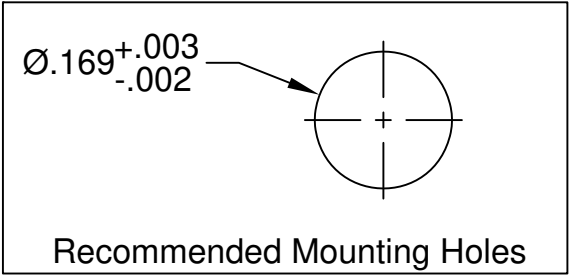
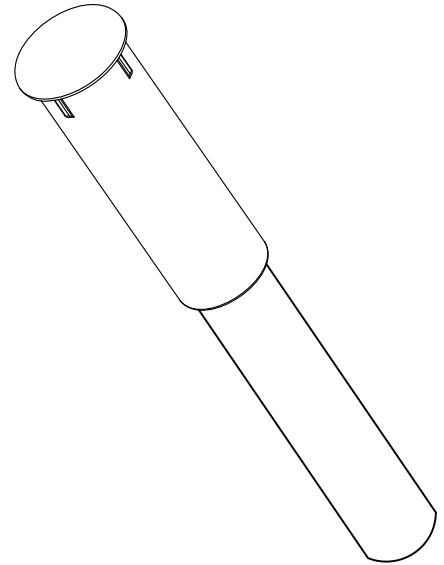
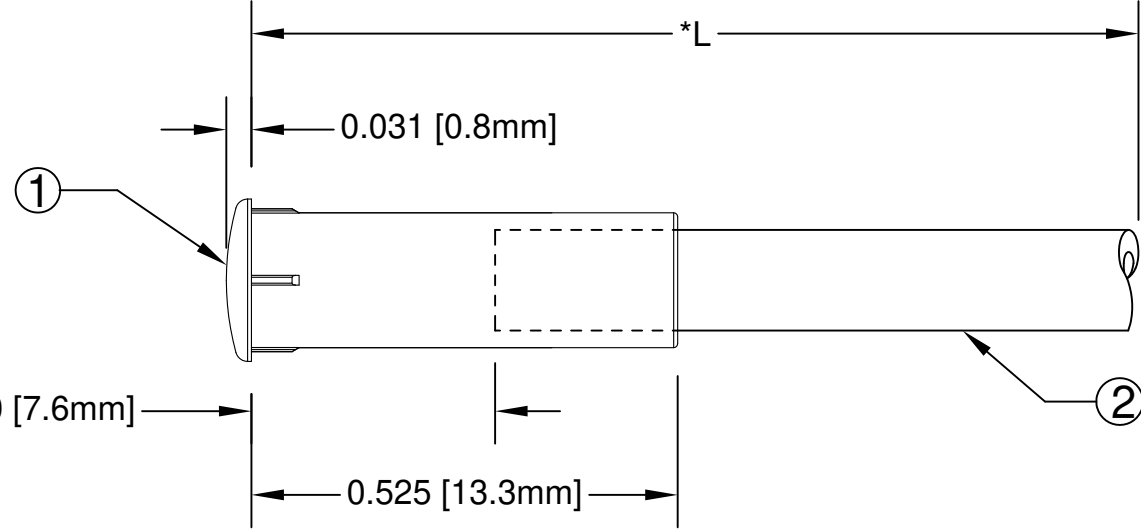
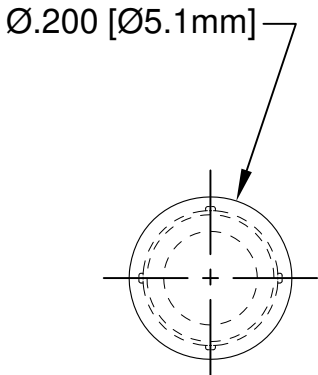


ITEM	Q'TY	PART NUMBER	PART DESCRIPTION
1	1	FLP-LC2	LENS CAP, FLEXIBLE LIGHT-PIPE, 5mm ROUND
2	1	FLPS2031-X.XXX	2mm LIGHT PIPE CABLE, CUT LENGTH IN INCHES

REV.	DESCRIPTION	DATE	APPROVED
A	Engineering Release	09/14/09	T. Y.
B	Updated Fiber In BOM	11/14/12	T. Y.
C	Added Note 2	10/06/16	J. C.



" L "	Tolerance
0.750" ~ 16.000"	±0.050"
16.100" ~ 40.000"	±0.150"
40.100" ~ 80.000"	±0.300"
80.100" ~ 3,940.0"	±0.5%

**NOTE:**  
 1. ALLOWABLE CUT LENGTH IS UP TO 3 DECIMAL PLACES.  
 2. MINIMUM BEND RADIUS OF FLEXIBLE LIGHT PIPE: 1.22" [31mm].

STANDARD TOLERANCE (UNLESS OTHERWISE SPECIFIED)		 4 THOMAS, IRVINE, CA. 92618 TEL: (949) 951-8808 FAX: (949) 951-3974	
DECIMALS	ANGULAR		
.X ±.1	X° ±1°	 <b>TITLE:</b> LENS CAP / FLP ASSEMBLY, 5mm ROUND	
.XX ±.02			
.XXX ±.010		<b>PART NO:</b> LC2-XX.X <b>REVISION:</b> C	
DESIGNED: <b>B. Oliver</b>	DATE: <b>09/14/09</b>	<b>CAGE CODE :</b> 32559 <b>SHEET #</b> 1 OF 1	
CHECKED: <b>F. Jensen</b>	DATE: <b>09/14/09</b>	CAD GENERATED DOCUMENT. DO NOT MEASURE DRAWING.	