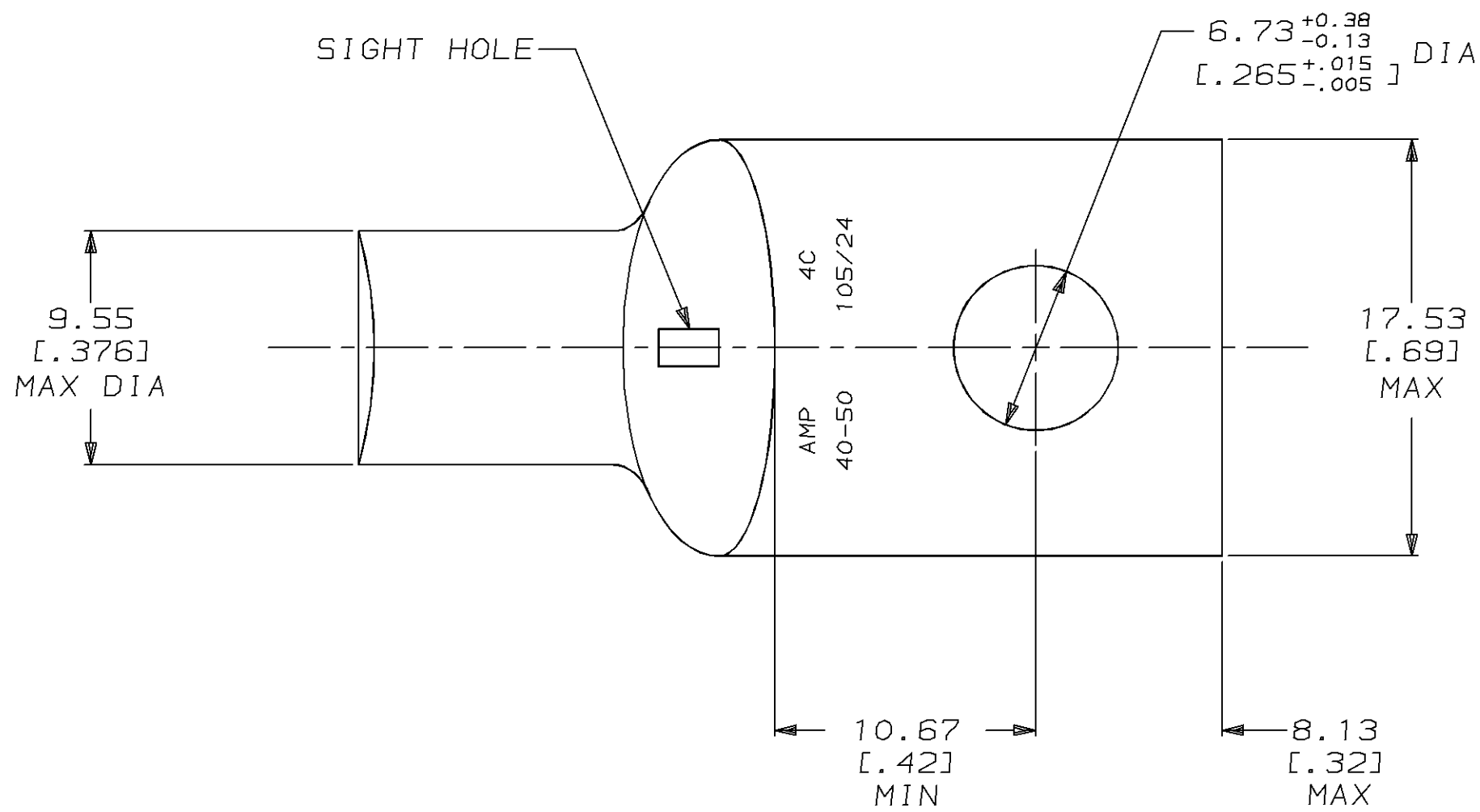
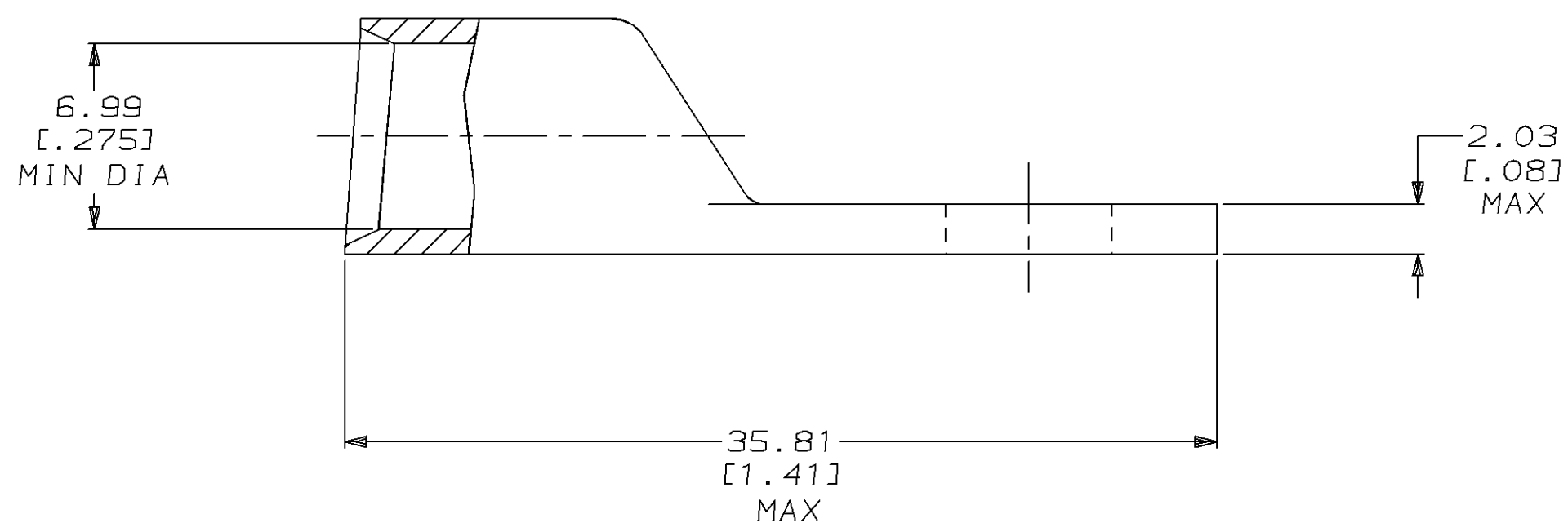


THIS DRAWING IS UNPUBLISHED. RELEASED FOR PUBLICATION, 19 .  
 © COPYRIGHT 19 BY AMP INCORPORATED. ALL INTERNATIONAL RIGHTS RESERVED.

LOC		DIST		P		F		ZONE		LTR		REVISIONS		DATE	APPD
G		86								S		REV & REDRA PER G-5357		02/28/90	DKS



1 CIRCULAR MIL AREA RANGE: 33,100-52,600 CM  
 2 TIN PL 0.00381 [0.000150] MIN THK PER MIL-T-10727



328162

A

DO NOT SCALE PRINT. UNLESS SPECIFIED DIMENSIONS IN mm [INCHES] TOLERANCES ON:		DR 02/28/90 DK SCHRUM		328162	
2 PLC DEC ± 0.51 [0.020]		CHK 19JAN95 MS FEHER		PART NO	
3 PLC DEC ± -		APPD 19JAN95 WJ VOCKROTH		AMP INCORPORATED Harrisburg, Pa. 17105	
ANGLES ± -		APPD 19JAN95 TL SHUTTER		NAME	
MATERIAL		PRODUCT SPEC		TERMINAL, AMPPOWER™, WIRE SIZE: 4 AWG	
ANNEALED COPPER ASTM B-152		108-30200		SIZE	
FINISH		APPLICATION SPEC		CAGE CODE	
△		-		00779	
WEIGHT .017 LB		SCALE 4:1		DRAWING NO	
				328162	
				SHEET 1 OF 1	

