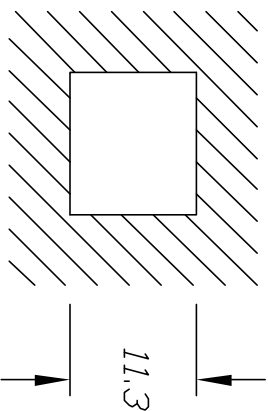
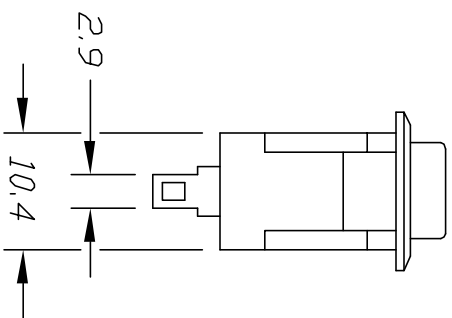
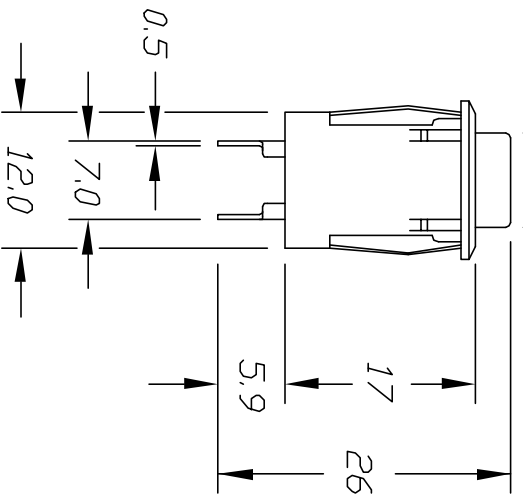
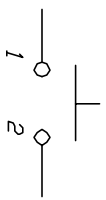


8.5 SQ.



PANEL DIMENSIONS



CONTACT CONFIGURATION



NOTES:

1. ALL DIMENSIONS IN MM
2. TERM. NOS. FOR REF ONLY

TOLERANCES	
0.0	±0.4
0.00	±0.25

REV.	DESCRIPTION	DATE	CHKD

THE INFORMATION CONTAINED IN THIS DOCUMENT IS PROPRIETARY TO E-SWITCH AND IS NOT TO BE COPIED OR TRANSFERRED

TITLE	SCALE	DATE	DR	DWG
PS1057A (BUTTON; BLACK)	1.5:1	10/24/94	TW	F010570

E-SWITCH