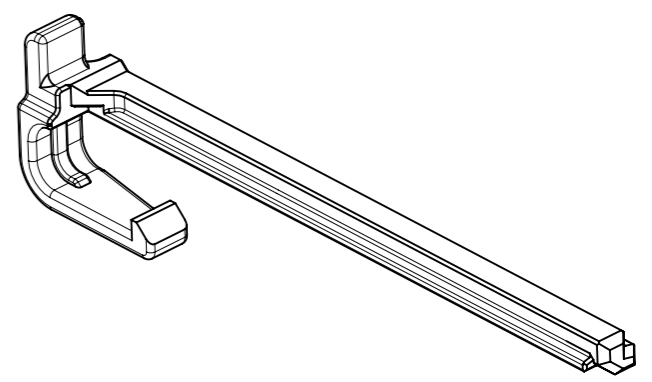
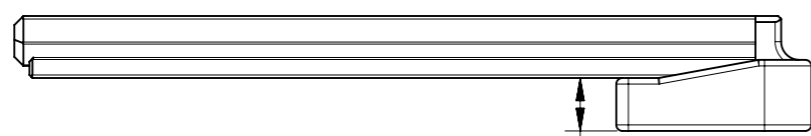
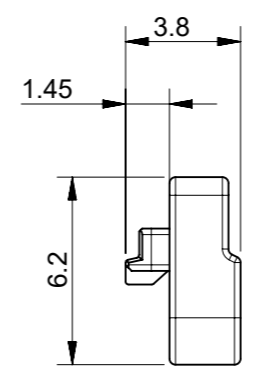
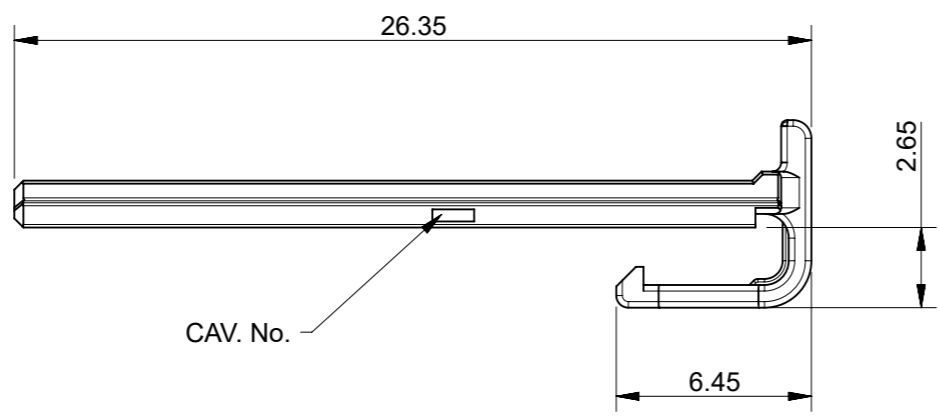
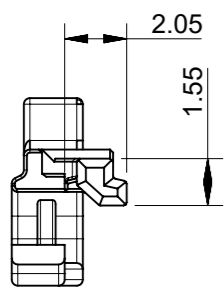


GENERAL TOLERANCE										USED ON
10 MAX	30 MAX	50 MAX	70 MAX	100 MAX	120 MAX	250 MAX	250 OVER	ANGLE	ECCENT	
±0.15	±0.20	±0.30	±0.40	±0.50	±0.75	±0.90	±1.4	±0.5°	0.1	



ISO VIEW



MATERIAL NUMBER

ORDER NO.	MATERIAL NO.	COLOR
560125-1200	5601251200	GRAY

- NOTES:
1. MATERIALS : POLYESTER (PBT)-GF17, UL94 V-0
 2. APPLICABLE HOUSING : 560123 SERIES
 3. GENERAL TOLERANCE : SEE TABLE
 4. EVL AND RoHS COMPLIANT
 5. PRODUCT SPECIFICATION : PS-560123-00*
 6. PACKING SPECIFICATION : PK-560125-001

FUNCTIONAL SYMBOLS	THIS DRAWING CONTAINS INFORMATION THAT IS PROPRIETARY TO MOLEX ELECTRONIC TECHNOLOGIES, LLC AND SHOULD NOT BE USED WITHOUT WRITTEN PERMISSION		CURRENT REV DESC: DRAWING REMASTERED	
	△/A = 0	mm	SCALE	4:1
DIVISIONAL SYMBOLS	GENERAL TOLERANCES (UNLESS SPECIFIED)		EC NO: 641821	
	△/E = 0	ANGULAR TOL ± °	DRWN: SAKIM	2020/07/17
DIVISIONAL SYMBOLS	4 PLACES ±	INITIAL REVISION:	CHK'D: TOSADA	2020/07/27
	3 PLACES ±		APPR: TOSADA	2020/07/27
	2 PLACES ±		DRWN: SJLEE06	2015/10/27
	1 PLACE ±		APPR: JYCHOI	2016/01/27
0 PLACES ±	DRAFT WHERE APPLICABLE MUST REMAIN WITHIN DIMENSIONS		THIRD ANGLE PROJECTION	DRAWING
		SERIES		MATERIAL NUMBER
		A3-SIZE		560125
		CUSTOMER		GENERAL MARKET
		SHEET NUMBER		1 OF 1

molex

NEW 2.0 PITCH W/B CONN.
REC. 12WAY ISL DURACLIC ISL SERIES

PRODUCT CUSTOMER DRAWING