

## SUMMARY

### # Wires



*Image is for illustrative purpose only*

Series	1P
Termination type	
IP rating	50
AWG wire size	0.00 - 0.00
Cable Ø	0.00 - 0.00 mm
Status	active

### Download

[Request a quote](#)

[Catalog](#)

## TECHNICAL DETAILS

### Mechanics

Shell Style/Model	PK*: Plastic front nut for PK and PT models of REDEL 1P series
Keying	
Housing Material	PSU (Polysulfone), blue
Weight	.42 g

### Performance

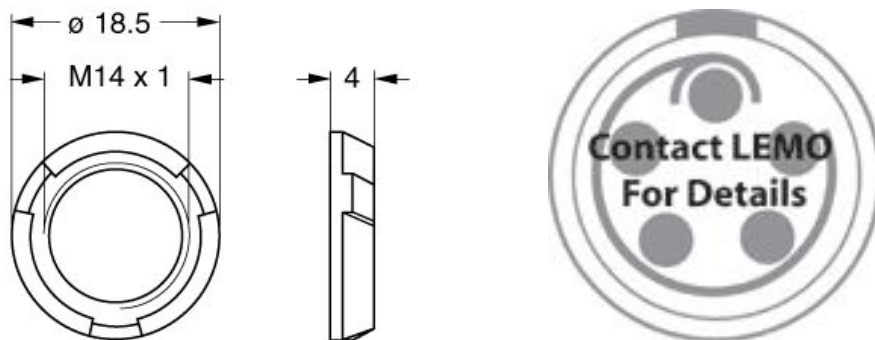
Configuration
Insulator
Rated Current

### Others

Temp (min / max): -50°C /

*LEMO products and services are provided "as is". LEMO makes no warranties or representations with regard to LEMO product & services or use of them, express, implied or statutory, including for accuracy, completeness, or security. The user is fully responsible for his products and applications using LEMO components.*

# DRAWINGS



---

## RECOMMENDED BY LEMO

### Tools

*LEMO products and services are provided "as is". LEMO makes no warranties or representations with regard to LEMO product & services or use of them, express, implied or statutory, including for accuracy, completeness, or security. The user is fully responsible for his products and applications using LEMO components.*