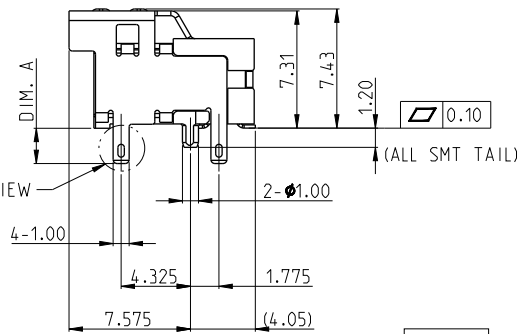
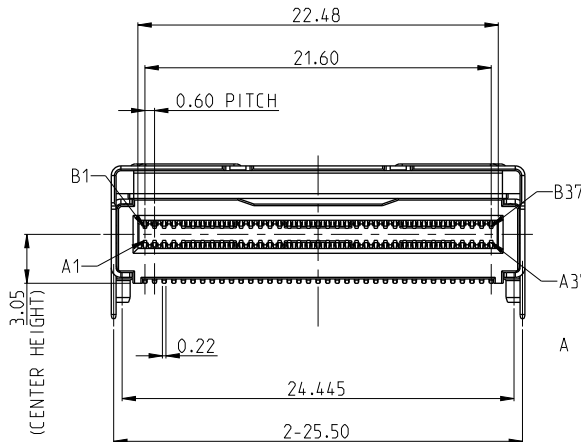
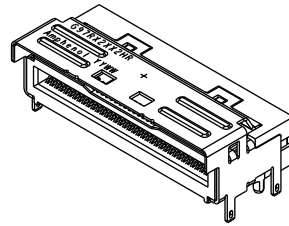
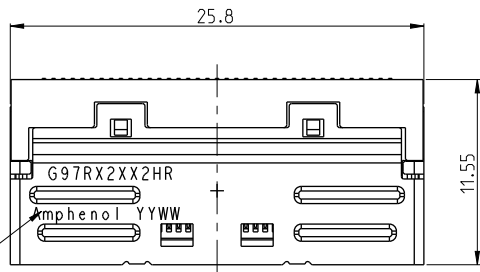


This document is the property of Amphenol Corporation and is delivered on the express condition that it is not to be disclosed, reproduced or used, in whole or in part, for manufacture or sale by anyone other than Amphenol Corporation without its prior consent, and that no right is granted to disclose or to use any information in this document.

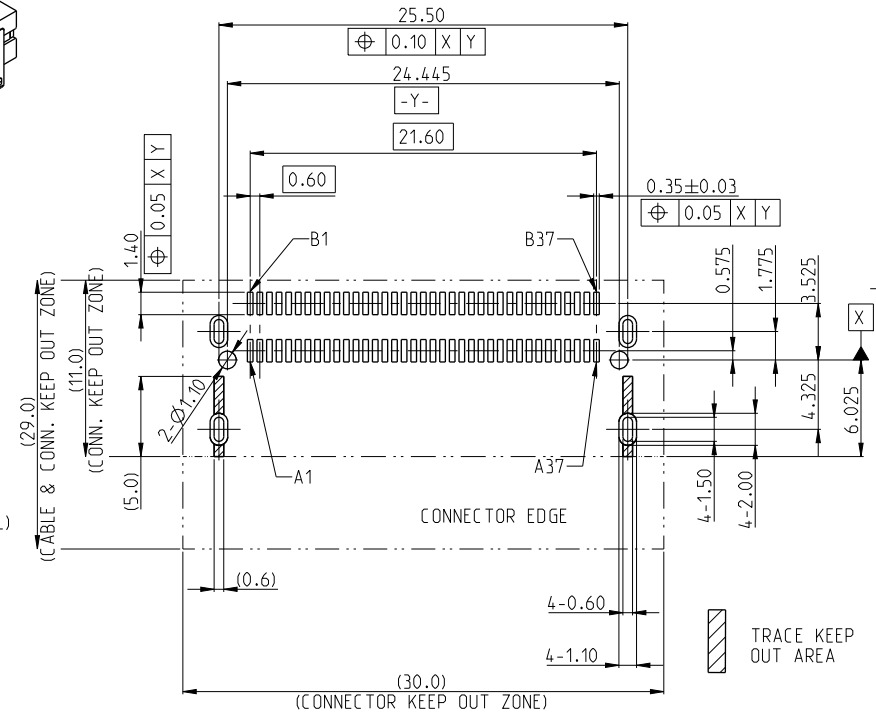
The marking on this product doesn't contain environmental hazardous materials per directive 2011/65/EU & 2015/863/EU for RoHS compliant & per IEC 61249-2-21 for Halogen-Free compliant.



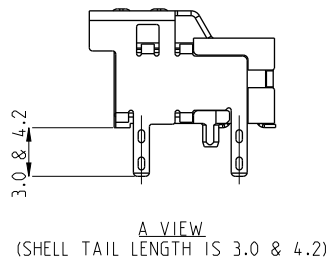
REVISIONS				
SYM	ECN No.	DESCRIPTION	DATE	BY
AX13	NA	MODIFIED STAND-OFF AND PCB KEEP OUT ZONE	2020-08-31	Sondra Sang
AX14	NA	ADDED SHELL MATTE TIN OPTIONS AND ADDED DETAIL "A" ON 74POS., MODIFIED 84PIN	2021-02-02	Sondra Sang
AX15	NA	ADDED PNS PACKING & MODIFIED 124PIN SHELL RIB	2021-07-01	Sondra Sang
AX16	NA	MODIFIED SHELL PLATING OPTIONS IN PNS & ADDED PLUG MATING STYLE (PAGE 7)	2021-11-05	Sondra Sang



74 PIN



RECOMMENDED PCB LAYOUT (TOP VIEW)
(GENERAL TOLERANCES: ±0.05)



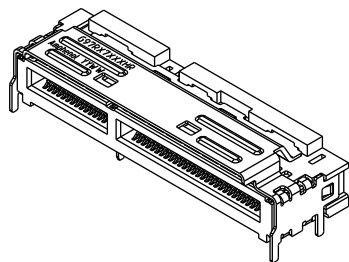
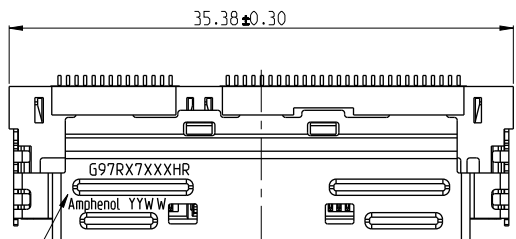
TOLERANCE	DRAWN	APPROVALS	DATE	TITLE	Amphenol® Amphenol Corporation Amphenol Taiwan Corporation			
X.X ±0.30	DESIGNED	Sondra Sang	2021-11-05	MINI COOL EDGE IO INTEGRATED CONNECTOR 0.6 PITCH, 85 OHM RIGHT ANGLE FOR PCIE TYPE	UNIT mm	SIZE A3	PART No. G97RXXXXXXHR	REV. AX16
X.XX ±0.20	CHECKED	Joan Lu	2022-01-19					
X.XXX ±0.10	APPROVED	Hank Hsu	2022-01-19					
ANGULAR ±2°	DWG TYPE	CUST DWG	PROJECT CODE T687	SCALE NA	SHEET 2 OF 8	DWG No. G97RXXXXXXHR		

This document is the property of Amphenol Corporation and is delivered on the express condition that it is not to be disclosed, reproduced or used, in whole or in part, for manufacture or sale by anyone other than Amphenol Corporation without its prior consent, and that no right is granted to disclose or to use any information in this document.

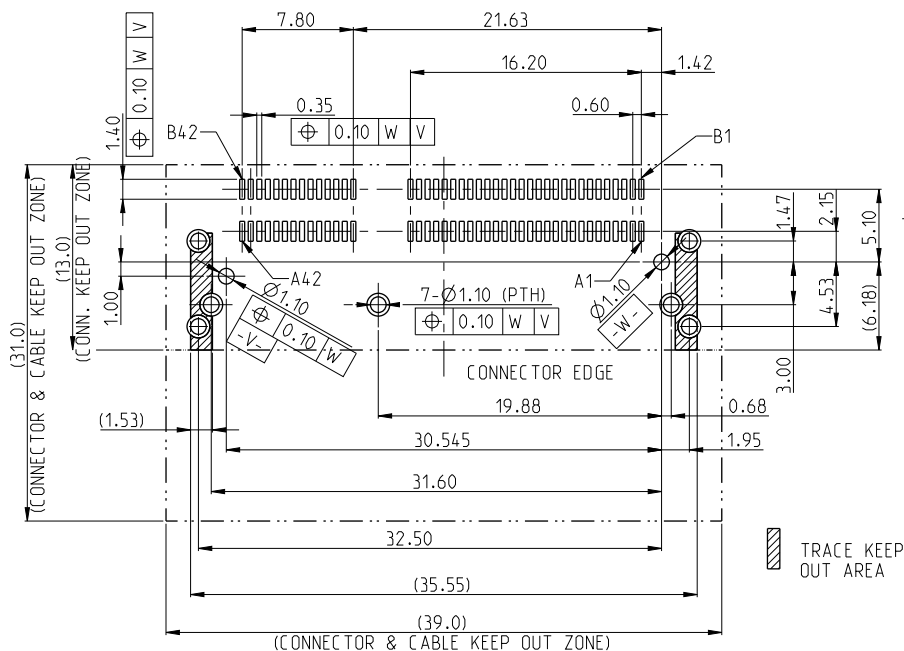
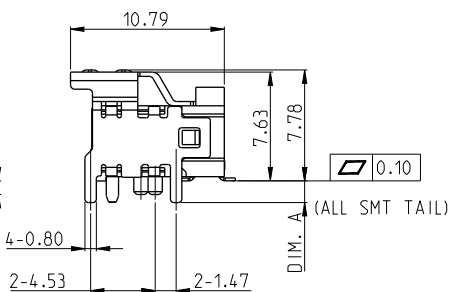
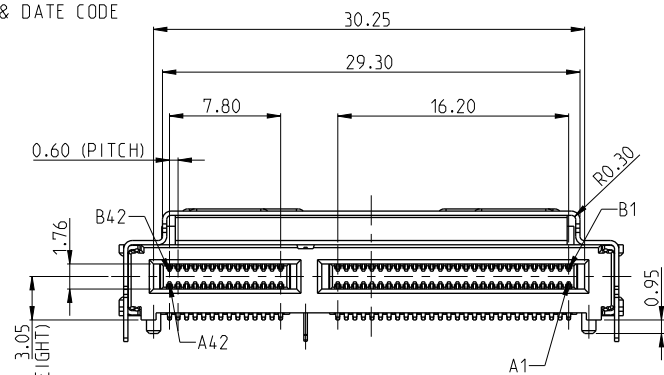
The marking on this product doesn't contain environmental hazardous materials per directive 2011/65/EU & 2015/863/EU for RoHS compliant & per IEC 61249-2-21 for Halogen-Free compliant.



REVISIONS				
SYM	ECN No.	DESCRIPTION	DATE	BY
AX13	NA	MODIFIED STAND-OFF AND PCB KEEP OUT ZONE	2020-08-31	Sondra Sang
AX14	NA	ADDED SHELL MATTE TIN OPTIONS AND ADDED DETAIL "A" ON 74POS., MODIFIED 84PIN	2021-02-02	Sondra Sang
AX15	NA	ADDED PNS PACKING & MODIFIED 124PIN SHELL RIB	2021-07-01	Sondra Sang
AX16	NA	MODIFIED SHELL PLATING OPTIONS IN PNS & ADDED PLUG MATING STYLE (PAGE 7)	2021-11-05	Sondra Sang



PRINTED P/N & DATE CODE



RECOMMENDED PCB LAYOUT (TOP VIEW)
(GENERAL TOLERANCES: ±0.05)

84 PIN

TOLERANCE	DESIGNED	DATE	TITLE	UNIT	SIZE	PART No.
X. ±0.30	Sondra Sang	2021-11-05	MINI COOL EDGE IO INTEGRATED CONNECTOR 0.6 PITCH, 85 OHM RIGHT ANGLE FOR PCIE TYPE	mm	A3	G97RXXXXXXHR
X.X ±0.20	CHECKED	2022-01-19				
X.XX ±0.10	APPROVED	2022-01-19				
X.XXX ±0.10	DWG TYPE	PROJECT CODE				
ANGULAR ±2°	CUST DWG	T687	SCALE	NA	SHEET	DWG No.
UNLESS OTHERWISE SPECIFIED					3 OF 8	G97RXXXXXXHR
						REV. AX16

Amphenol®

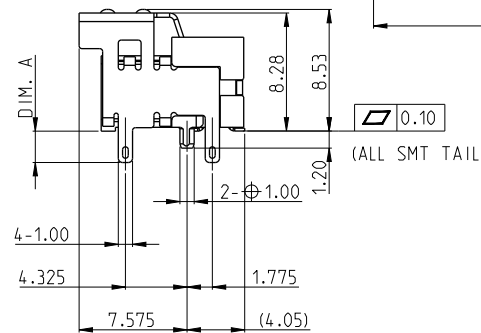
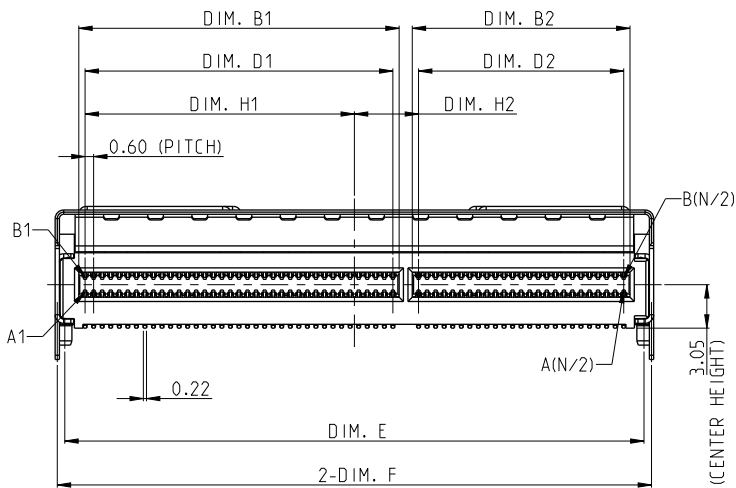
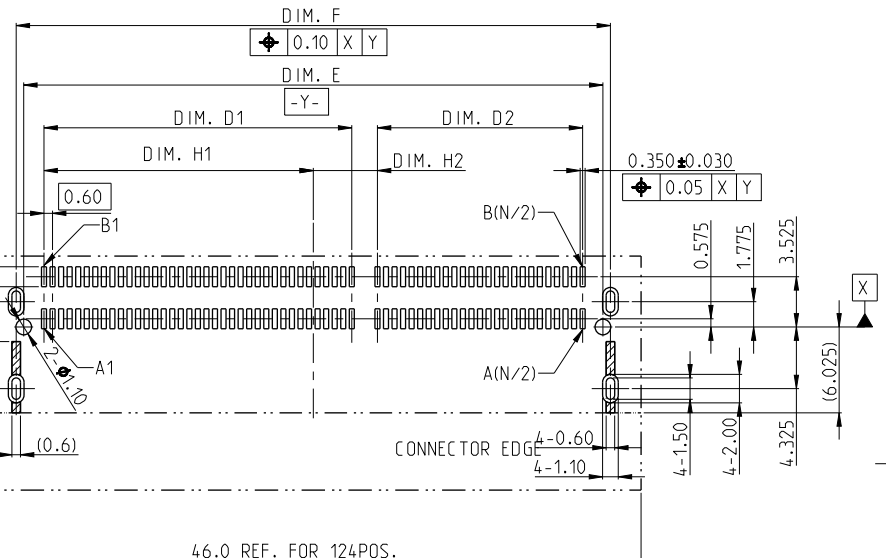
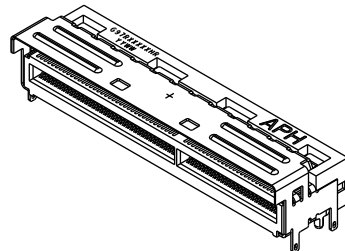
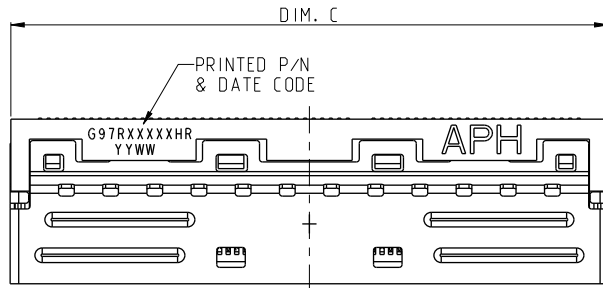
Amphenol Corporation
Amphenol Taiwan Corporation

This document is the property of Amphenol Corporation and is delivered on the express condition that it is not to be disclosed, reproduced or used, in whole or in part, for manufacture or sale by anyone other than Amphenol Corporation without its prior consent, and that no right is granted to disclose or to use any information in this document.

The marking on this product doesn't contain environmental hazardous materials per directive 2011/65/EU & 2015/863/EU for RoHS compliant & per IEC 61249-2-21 for Halogen-Free compliant.



REVISIONS				
SYM	ECN No.	DESCRIPTION	DATE	BY
AX13	NA	MODIFIED STAND-OFF AND PCB KEEP OUT ZONE	2020-08-31	Sondra Sang
AX14	NA	ADDED SHELL MATTE TIN OPTIONS AND ADDED DETAIL "A" ON 74POS., MODIFIED 84PIN	2021-02-02	Sondra Sang
AX15	NA	ADDED PNS PACKING & MODIFIED 124PIN SHELL RIB	2021-07-01	Sondra Sang
AX16	NA	MODIFIED SHELL PLATING OPTIONS IN PNS & ADDED PLUG MATING STYLE (PAGE 7)	2021-11-05	Sondra Sang



46.0 REF. FOR 124POS.
53.2 REF. FOR 148POS.
(CONNECTOR & CABLE KEEP OUT ZONE)
RECOMMENDED PCB LAYOUT (TOP VIEW)
(GENERAL TOLERANCES: ±0.05)

TRACE KEEP OUT AREA

124 PIN & 148 PIN

PART NUMBER	POS. (N)	DIM. B1	DIM. B2	DIM. C	DIM. D1	DIM. D2	DIM. E	DIM. F	DIM. H1	DIM. H2
G97RX4XXXXHR	124	22.48	15.28	42.00	21.60	14.40	40.645	41.70	18.90	4.50
G97RX6XXXXHR	148	22.48	22.48	49.20	21.60	21.60	47.845	48.90	22.50	0.90

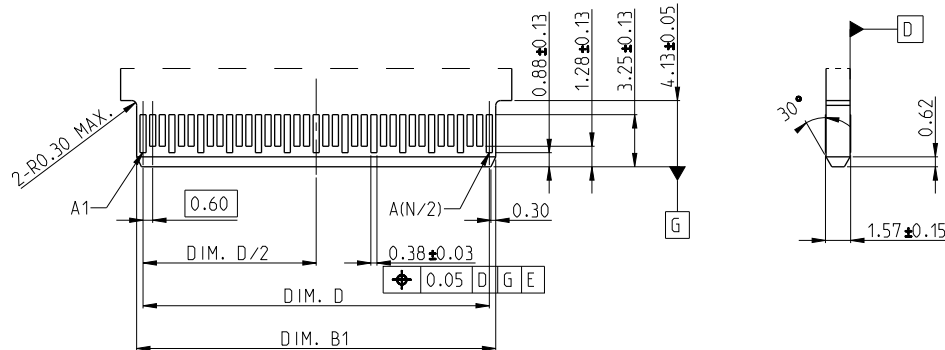
TOLERANCE	DRAWN	APPROVALS	DATE	TITLE	UNIT	SIZE	PART No.					
X.X ±0.30	DESIGNED	Sondra Sang	2021-11-05	MINI COOL EDGE IO INTEGRATED CONNECTOR 0.6 PITCH, 85 OHM RIGHT ANGLE FOR PCIE TYPE	mm	A3	G97RXXXXXHR					
X.XX ±0.20								CHECKED	Joan Lu	2022-01-19		
X.XXX ±0.10								APPROVED	Hank Hsu	2022-01-19		
ANGULAR ±2°	DWG TYPE	CUST DWG	PROJECT CODE	T687	SCALE	NA	SHEET	4 OF 8	DWG No.	G97RXXXXXHR	REV.	AX16

This document is the property of Amphenol Corporation and is delivered on the express condition that it is not to be disclosed, reproduced or used, in whole or in part, for manufacture or sale by anyone other than Amphenol Corporation without its prior consent, and that no right is granted to disclose or to use any information in this document.

The marking on this product doesn't contain environmental hazardous materials per directive 2011/65/EU & 2015/863/EU for RoHS compliant & per IEC 61249-2-21 for Halogen-Free compliant.

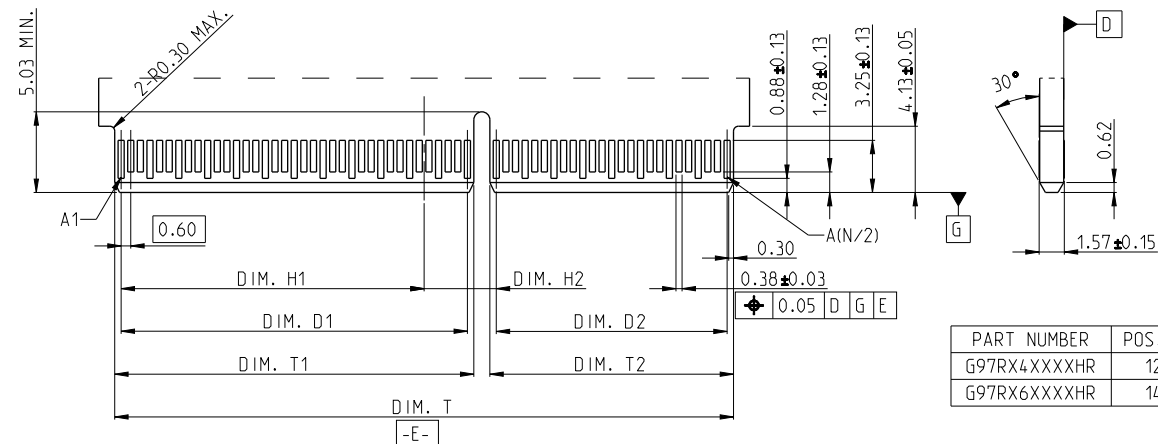


REVISIONS				
SYM	ECN No.	DESCRIPTION	DATE	BY
AX13	NA	MODIFIED STAND-OFF AND PCB KEEP OUT ZONE	2020-08-31	Sondra Sang
AX14	NA	ADDED SHELL MATTE TIN OPTIONS AND ADDED DETAIL "A" ON 74POS., MODIFIED 84PIN	2021-02-02	Sondra Sang
AX15	NA	ADDED PNS PACKING & MODIFIED 124PIN SHELL RIB	2021-07-01	Sondra Sang
AX16	NA	MODIFIED SHELL PLATING OPTIONS IN PNS & ADDED PLUG MATING STYLE (PAGE 7)	2021-11-05	Sondra Sang



RECOMMENDED MATING CARD (1-PORT)
(GENERAL TOLERANCES: ±0.05)

PART NUMBER	POS. (N)	DIM. B1	DIM. D
G97RX1XXXXHR	38	11.60	10.80
G97RX2XXXXHR	74	22.40	21.60



RECOMMENDED MATING CARD (2-PORT)
(GENERAL TOLERANCES: ±0.05)

PART NUMBER	POS. (N)	DIM. D1	DIM. D2	DIM. H1	DIM. H2	DIM. T	DIM. T1	DIM. T2
G97RX4XXXXHR	124	21.60	14.40	18.90	4.50	38.60	22.40	15.20
G97RX6XXXXHR	148	21.60	21.60	22.50	0.90	45.80	22.40	22.40

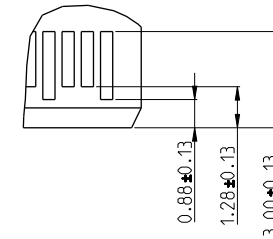
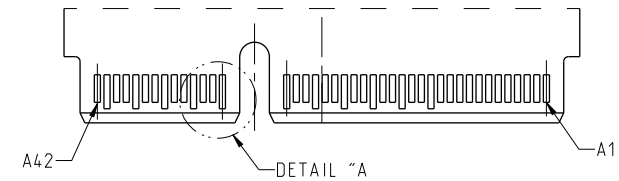
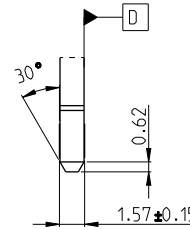
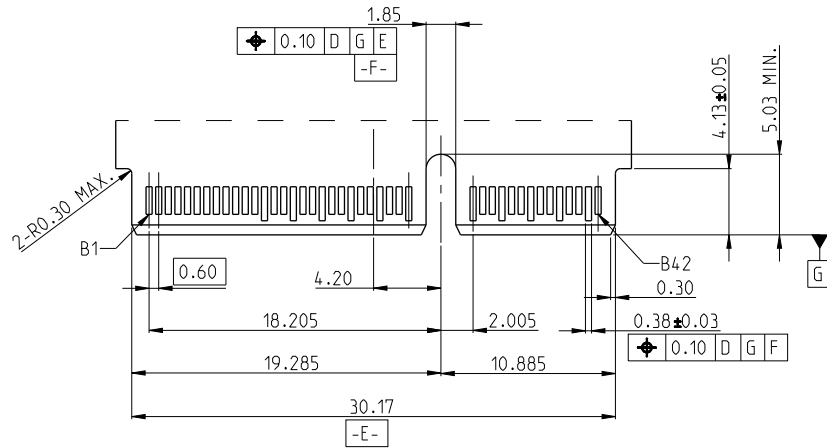
TOLERANCE	DRAWN	APPROVALS	DATE	TITLE	Amphenol® Amphenol Corporation Amphenol Taiwan Corporation					
X.X ±0.30	DESIGNED	Sondra Sang	2021-11-05	MINI COOL EDGE IO INTEGRATED CONNECTOR 0.6 PITCH, 85 OHM RIGHT ANGLE FOR PCIE TYPE	UNIT mm	SIZE A3	PART No. G97RXXXXXXHR			
X.XX ±0.20	CHECKED	Joan Lu	2022-01-19				SCALE NA	SHEET 5 OF 8	DWG No. G97RXXXXXXHR	
X.XXX ±0.10	APPROVED	Hank Hsu	2022-01-19						REV. AX16	
ANGULAR ±2°	DWG TYPE	CUST DWG	PROJECT CODE T687	UNIT mm		SIZE A3	PART No. G97RXXXXXXHR			
UNLESS OTHERWISE SPECIFIED				SCALE NA		SHEET 5 OF 8	DWG No. G97RXXXXXXHR			

This document is the property of Amphenol Corporation and is delivered on the express condition that it is not to be disclosed, reproduced or used, in whole or in part, for manufacture or sale by anyone other than Amphenol Corporation without its prior consent, and that no right is granted to disclose or to use any information in this document.

The marking on this product doesn't contain environmental hazardous materials per directive 2011/65/EU & 2015/863/EU for RoHS compliant & per IEC 61249-2-21 for Halogen-Free compliant.



REVISIONS				
SYM	ECN No.	DESCRIPTION	DATE	BY
AX13	NA	MODIFIED STAND-OFF AND PCB KEEP OUT ZONE	2020-08-31	Sondra Sang
AX14	NA	ADDED SHELL MATTE TIN OPTIONS AND ADDED DETAIL "A" ON 74POS., MODIFIED 84PIN	2021-02-02	Sondra Sang
AX15	NA	ADDED PNS PACKING & MODIFIED 124PIN SHELL RIB	2021-07-01	Sondra Sang
AX16	NA	MODIFIED SHELL PLATING OPTIONS IN PNS & ADDED PLUG MATING STYLE (PAGE 7)	2021-11-05	Sondra Sang



DETAIL "A"

RECOMMENDED MATING CARD (2-PORT FOR 84POS.)
(GENERAL TOLERANCES:±0.05)

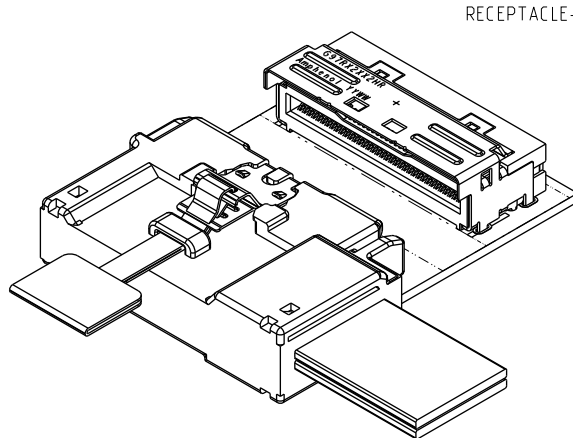
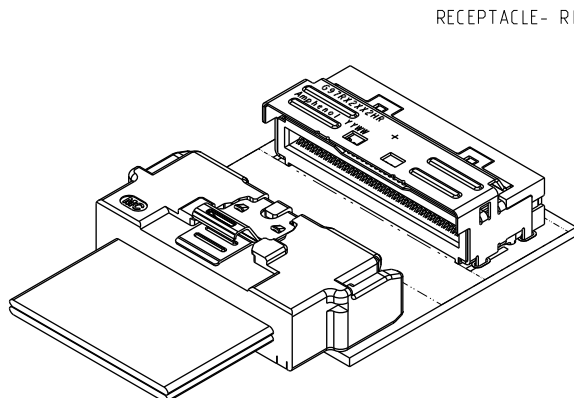
TOLERANCE	DRAWN APPROVALS	DATE	TITLE	Amphenol® Amphenol Corporation Amphenol Taiwan Corporation			
X. ±0.30	DESIGNED Sondra Sang	2021-11-05	MINI COOL EDGE IO INTEGRATED CONNECTOR 0.6 PITCH, 85 OHM RIGHT ANGLE FOR PCIE TYPE	UNIT mm	SIZE A3	PART No. G97RXXXXXXHR	DWG No. G97RXXXXXXHR
X.XX ±0.20	CHECKED Joan Lu	2022-01-19					
X.XXX ±0.10	APPROVED Hank Hsu	2022-01-19					
ANGULAR ±2°	DWG TYPE CUST DWG	PROJECT CODE T687	SCALE NA	SHEET 6 OF 8	REV. AX16		
UNLESS OTHERWISE SPECIFIED							

This document is the property of Amphenol Corporation and is delivered on the express condition that it is not to be disclosed, reproduced or used, in whole or in part, for manufacture or sale by anyone other than Amphenol Corporation without its prior consent, and that no right is granted to disclose or to use any information in this document.

The marking on this product doesn't contain environmental hazardous materials per directive 2011/65/EU & 2015/863/EU for RoHS compliant & per IEC 61249-2-21 for Halogen-Free compliant.



REVISIONS				
SYM	ECN No.	DESCRIPTION	DATE	BY
AX13	NA	MODIFIED STAND-OFF AND PCB KEEP OUT ZONE	2020-08-31	Sondra Sang
AX14	NA	ADDED SHELL MATTE TIN OPTIONS AND ADDED DETAIL "A" ON 74POS., MODIFIED 84PIN	2021-02-02	Sondra Sang
AX15	NA	ADDED PNS PACKING & MODIFIED 124PIN SHELL RIB	2021-07-01	Sondra Sang
AX16	NA	MODIFIED SHELL PLATING OPTIONS IN PNS & ADDED PLUG MATING STYLE (PAGE 7)	2021-11-05	Sondra Sang



RECOMMENDED MATING STYLE

TOLERANCE		DRAWN APPROVALS		DATE	TITLE		 Amphenol Corporation Amphenol Taiwan Corporation		
X.		DESIGNED Sondra Sang		2021-11-05	MINI COOL EDGE IO INTEGRATED CONNECTOR 0.6 PITCH, 85 OHM RIGHT ANGLE FOR PCIE TYPE 		UNIT	SIZE	PART No.
X.X	±0.30	CHECKED Joan Lu		2022-01-19			mm	A3	G97RXXXXXXHR
X.XX	±0.20	APPROVED Hank Hsu		2022-01-19			SCALE	SHEET	DWG No.
X.XXX	±0.10				NA	7 OF 8	G97RXXXXXXHR	REV. AX16	
ANGULAR ±2°		DWG TYPE CUST DWG		PROJECT CODE T687					
UNLESS OTHERWISE SPECIFIED									

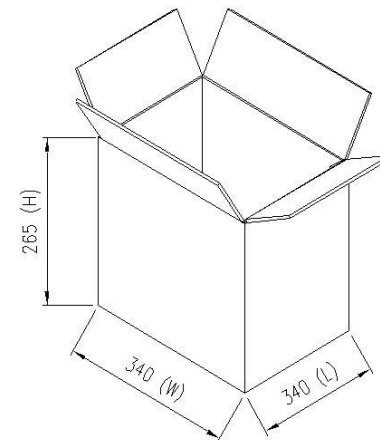
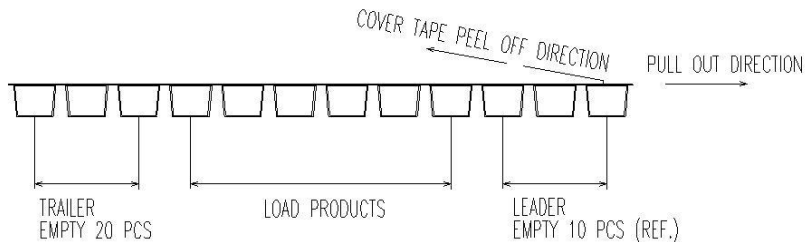
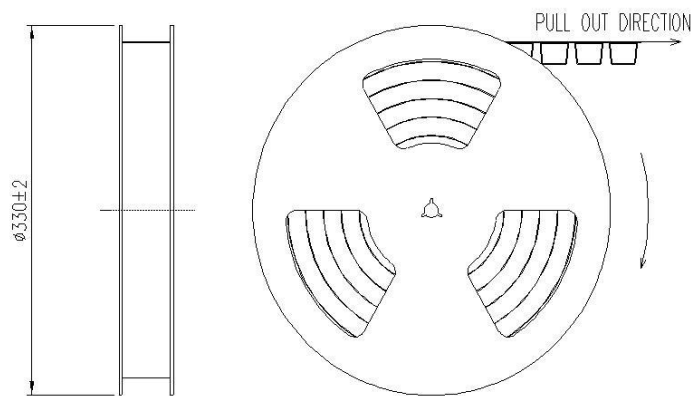
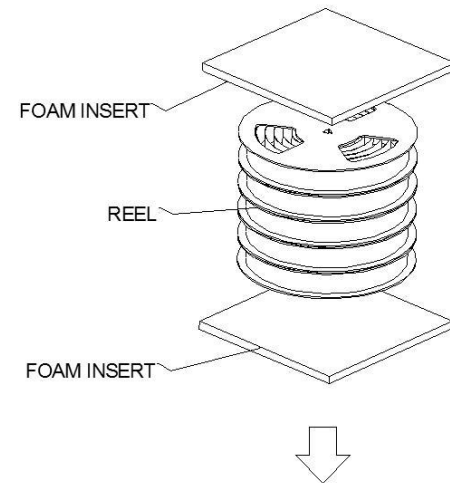
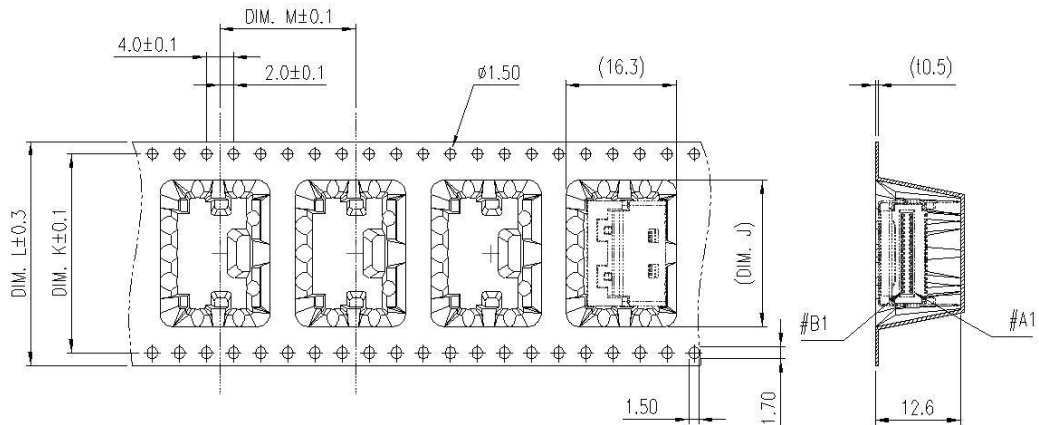
This document is the property of Amphenol Corporation and is delivered on the express condition that it is not to be disclosed, reproduced or used, in whole or in part, for manufacture or sale by anyone other than Amphenol Corporation without its prior consent, and that no right is granted to disclose or to use any information in this document.

The marking on this product doesn't contain environmental hazardous materials per directive 2011/65/EU & 2015/863/EU for RoHS compliant & per IEC 61249-2-21 for Halogen-Free compliant.



REVISIONS				
SYM	ECN No.	DESCRIPTION	DATE	BY
AX13	NA	MODIFIED STAND-OFF AND PCB KEEP OUT ZONE	2020-08-31	Sondra Sang
AX14	NA	ADDED SHELL MATTE TIN OPTIONS AND ADDED DETAIL "A" ON 74POS., MODIFIED 84PIN	2021-02-02	Sondra Sang
AX15	NA	ADDED PNS PACKING & MODIFIED 124PIN SHELL RIB	2021-07-01	Sondra Sang
AX16	NA	MODIFIED SHELL PLATING OPTIONS IN PNS & ADDED PLUG MATING STYLE (PAGE 7)	2021-11-05	Sondra Sang

PART NUMBER	POS. (N)	DIM. J	DIM. K	DIM. L	DIM. M	REEL (PCS)	CARTON (PCS)
G97RX1XXXXHR	38	(20.9)	28.40	32.00	20.00	225	1350
G97RX2XXXXHR	74	(32.5)	40.40	44.00	20.00	250	1250
G97RX7XXXXHR	84	(42.6)	52.40	56.00	24.00	180	540
G97RX4XXXXHR	124	(39.5)	68.40	72.00	20.00	220	660
G97RX6XXXXHR	148	(49.4)	68.40	72.00	20.00	220	660



NOTE 2:
 1. CARTON SIZE
 340L X 340W X 265H
 2. PREFER TO AMTA LABELING STANDARD.
 3. CARTON CLOSURES MUST BE SEALED WITH TAPE.

NOTE :
 1. MATERIAL:
 CARRIER TAPE: POLYSTYRENE, BLACK
 COVER TAPE: TRANSPARENT POLYSTYRENE
 REEL: POLYSTYRENE, BLACK
 2. ALL TAPE AND REEL SPECIFICATION FOLLOW EIA-481 STANDARD.
 3. THIS PRODUCT DOESN'T CONTAIN ENVIRONMENTAL HAZARDOUS DIRECTIVE 2011/65/EU AND 2015/863/EU FOR ROHS AND PER IEC 61249-2-21 FOR HALOGEN FREE COMPLIANT.

TOLERANCE	DRAWN APPROVALS	DATE	TITLE		PART No.	
X. ±0.30	DESIGNED Sondra Sang	2021-11-05	MINI COOL EDGE IO INTEGRATED CONNECTOR 0.6 PITCH, 85 OHM RIGHT ANGLE FOR PCIE TYPE		G97RXXXXXXHR	
X.X ±0.20	CHECKED Joan Lu	2022-01-19				
X.XX ±0.10	APPROVED Hank Hsu	2022-01-19				
ANGULAR ±2°	DWG TYPE CUST DWG	PROJECT CODE T687	UNIT mm	SIZE A3	DWG No. G97RXXXXXXHR	
UNLESS OTHERWISE SPECIFIED			SCALE NA	SHEET 8 OF 8	REV. AX16	

Amphenol®

Amphenol Corporation
Amphenol Taiwan Corporation