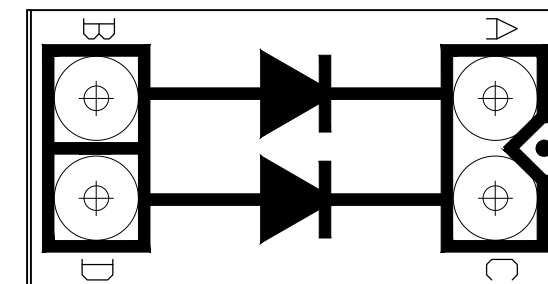
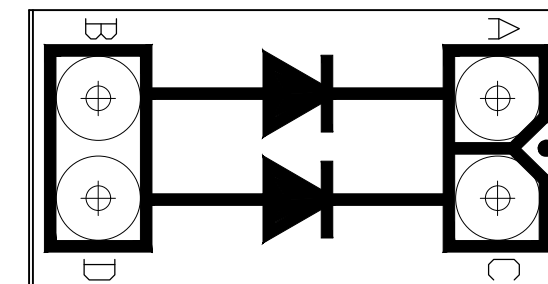


| THIS DRAWING IS UNPUBLISHED.               |  | RELEASED FOR PUBLICATION      |
|--|--|-------------------------------|
| © COPYRIGHT - TE Connectivity Ltd.         |  | ALL RIGHTS RESERVED.          |
| DESCRIPTION                                | MATERIAL   | FINISH                        |
| MODULE ASSEMBLY                            | EPOXY THERMOSET  | COLOR: BLACK                  |
| GROMMET                                    | ----   | COLOR: WHITE                  |
| CONTACT SOCKET                             | BERYLLIUM COPPER<br>ASTM-B194  | GOLD PLATE<br>PER MIL-G-45204 |
| RETAINING CLIP                             | BERYLLIUM COPPER<br>ASTM-B194<br>OR<br>STAINLESS STEEL<br>PER QQ-S-766 | NONE                          |
| DIODE                                      | 1N4003   | NONE                          |
| SEALING PLUGS<br>QTY 2                     | F.E.P.<br>PER MIL-P-19468  | COLOR: RED                    |
| PIN CONTACT<br>QTY = 5<br>P/N M39029/1-101 | COPPER ALLOY<br>PER MIL-C-39029  | GOLD PLATE<br>PER MIL-C-45204 |

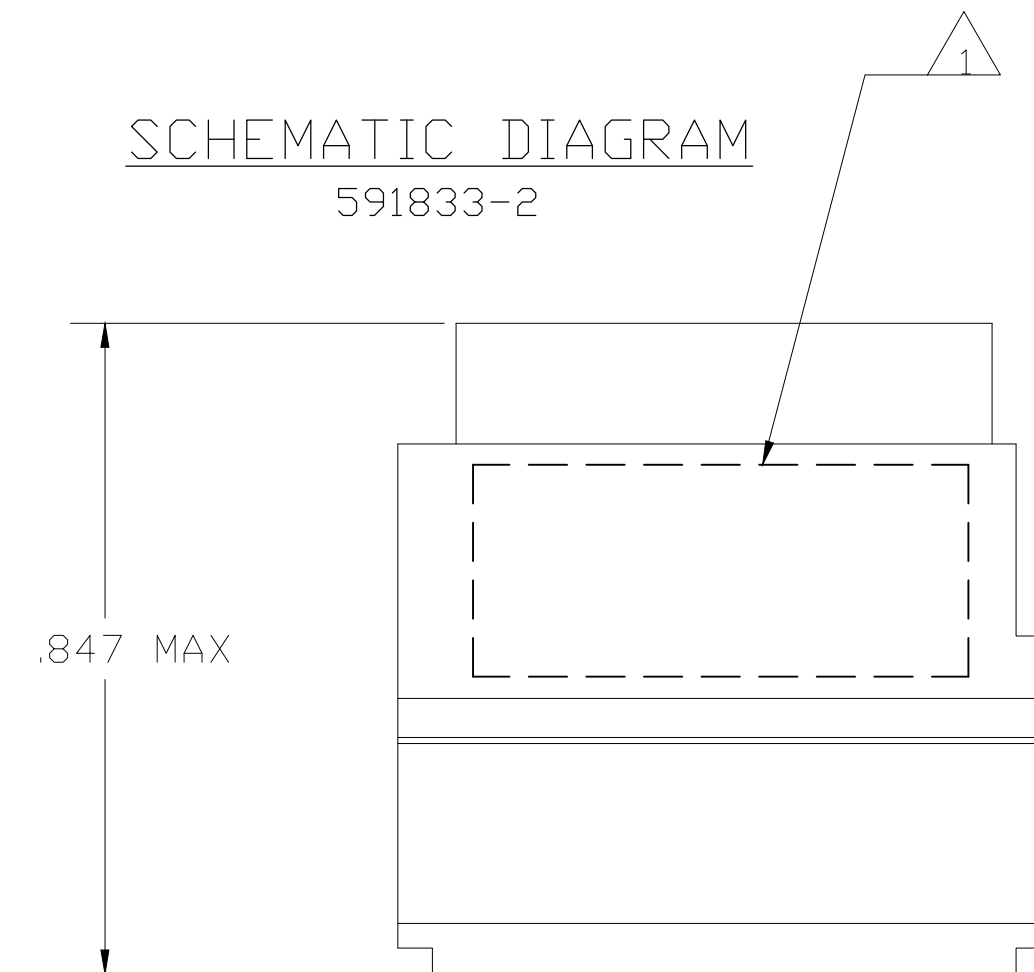
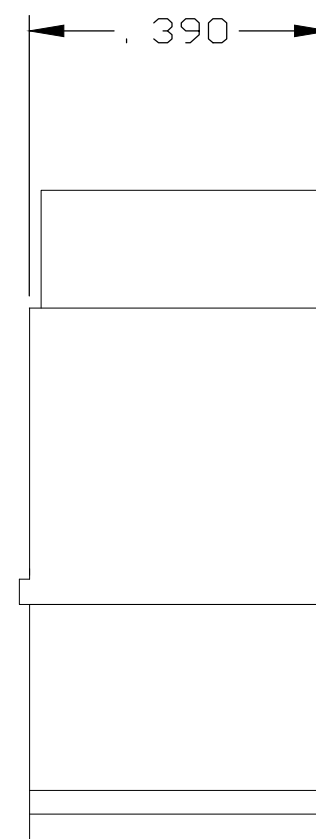
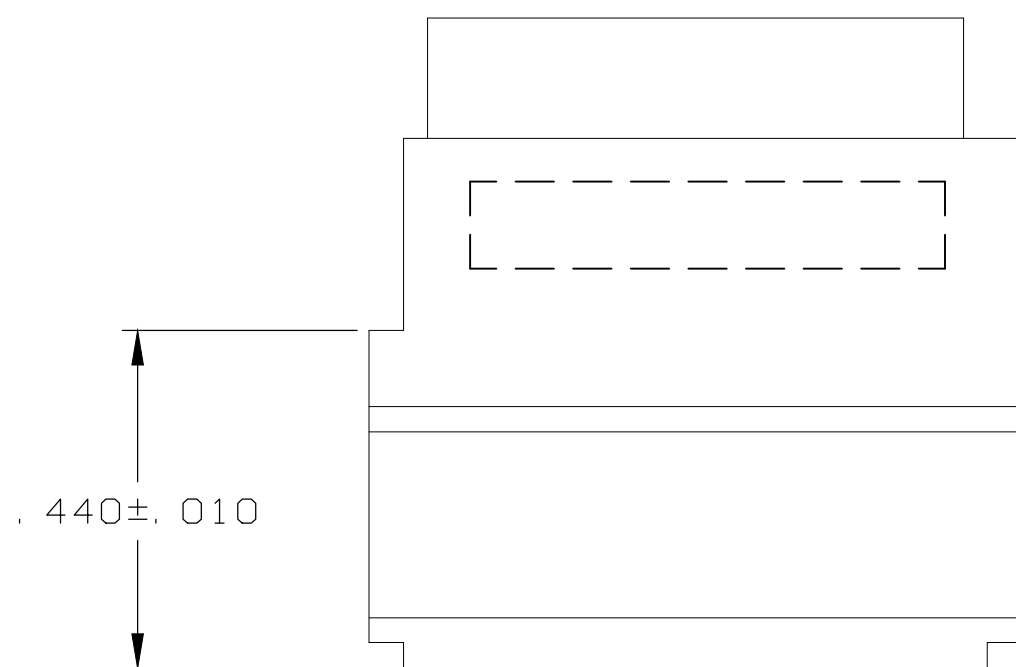
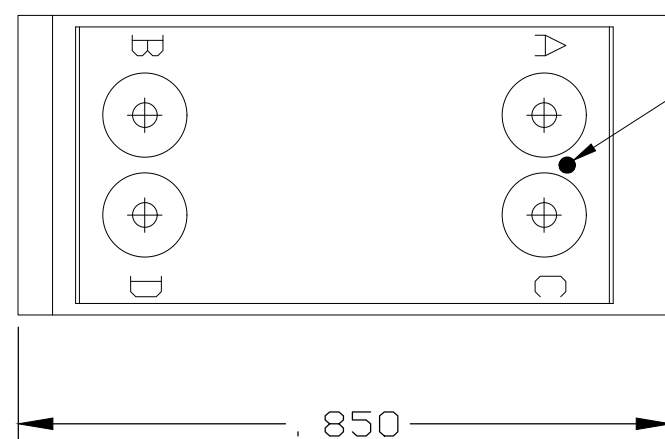
| REVISIONS |     |                       |        |     |      |
|-----------|-----|-----------------------|--------|-----|------|
| P         | LTR | DESCRIPTION           | DATE   | DWN | APVD |
| F         |     | REV PER ECD 20-001680 | 2-7-20 | CT  | VR   |



SCHMATIC DIAGRAM  
591833-1



SCHMATIC DIAGRAM  
591833-2



SCHMATIC DIAGRAM  
591833-2

1 MARK MODULE ASSEMBLY WITH "TE", TE PART NO. AND DATE CODE

2. MODULE MEETS APPLICABLE REQUIREMENTS OF MIL-T-81714 CLASS "B". ENVIRONMENTS CREATED BY THE OPERATION OF INTERNAL ELECTRONIC COMPONENTS WHICH EXCEED THE MODULE RATED PERFORMANCE ARE THE RESPONSIBILITY OF THE USER. THE ELECTRONIC COMPONENT SPECIFICATION SHOULD BE CONSULTED.

591833-2  
591833-1  
PART NO.

|  |        |                              |   |           |            |               |
|--|--------|------------------------------|---|-----------|------------|---------------|
| THIS DRAWING IS A CONTROLLED DOCUMENT. |        | DWN<br>N. FRITZ<br>7-31-95   |   |           |            |               |
| DIMENSIONS:<br>INCHES                  |        | CHK<br>J. HARMAN<br>7-31-95  |   |           |            |               |
| TOLERANCES UNLESS OTHERWISE SPECIFIED: |        | APVD<br>J. HARMAN<br>7-31-95 | NAME<br>MODULE ASSY, FEED-BACK, SIZE 20<br>TJ WITH 1N4003 DIODE |           |            |               |
| 0 PLC ± -                              |        | PRODUCT SPEC                 | SIZE  | CAGE CODE | DRAWING NO | RESTRICTED TO |
| 1 PLC ± -                              |        | APPLICATION SPEC             | A2  | 00779     | C-591833   | -             |
| 2 PLC ± -                              |        |                              | SCALE   | SHEET     | REV        |               |
| 3 PLC ± .005                           |        |                              | 4: 1  | 1 OF 1    | F          |               |
| 4 PLC ± -                              |        |                              |   |           |            |               |
| ANGLES ± -                             |        |                              |   |           |            |               |
| MATERIAL                               | FINISH | WEIGHT                       | CUSTOMER DRAWING  |           |            |               |
| -                                      | -      | 0.000000                     |   |           |            |               |