



OMNIMAX[®] Indoor Dipole

AP-Dipole-C-IW-S2-BL

The AP-Dipole-C-IW-S2-BL antenna is an ultra-wideband 4G LTE externally mounted antenna providing high efficiency for IoT and M2M applications for indoor cellular modules, modems, and gateways. This antenna outperforms competing products on the market and provides coverage for all cellular standards including CDMA, DCS, PCS, and GSM 2G, 3G, and 4G frequency bands in use globally.

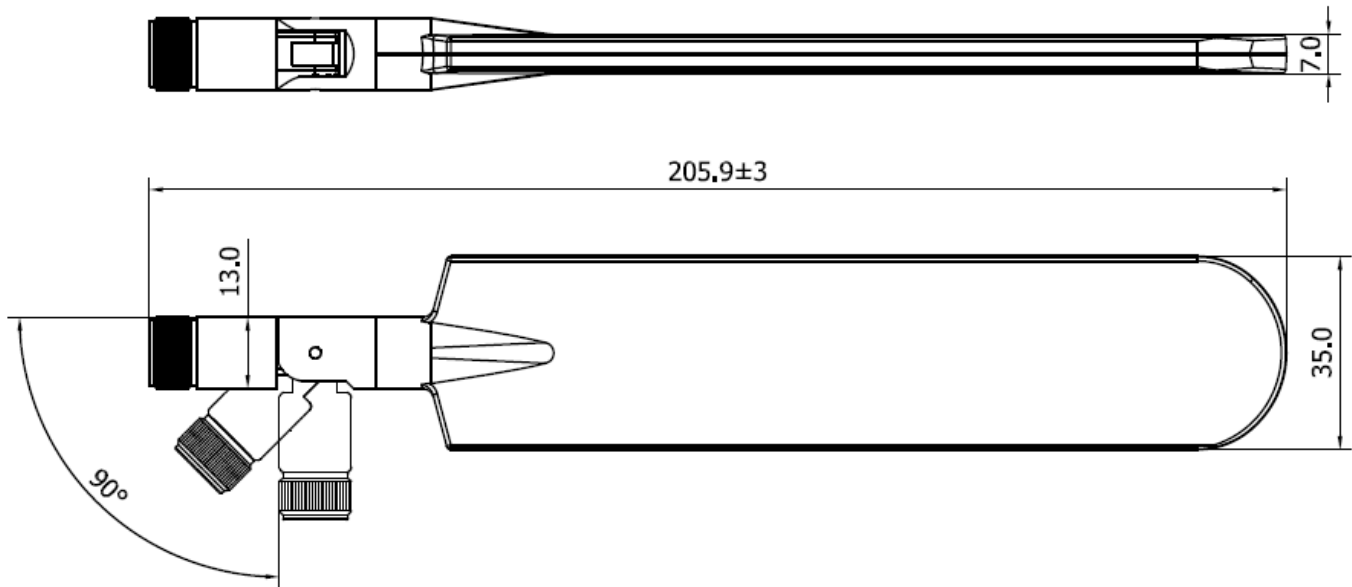
- Omni-directional dipole antenna
- LoRa IoT band coverage (902-928 MHz)
- High efficiency

Configuration

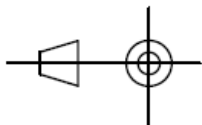
AP-Dipole-C-IW-S2-BL

Multi-band (0.7 to 2.7 GHz), provides international coverage of all cellular bands, as well as ISM band coverage for LoRa and Sigfox / High efficiency (>70%), highly omni-directional coverage / 3.7 dBi nominal peak gain / Rotatable 90° on base hinge, Indoor Antenna, Wide, SMA connector, Black

Dimensions



Drawing Style



Unless otherwise specified, tolerances are +/-0.2mm

Specifications and Interface	
Standard	LTE
Frequency Range	703-960 MHz; 1710-2170 MHz; 2300-2400 MHz; 2500-2690 MHz
Peak Gain	-0.2 dBi @ 700 MHz; 1.9 dBi @ 850 MHz; 3.5 dBi @ 960 MHz; 3.7 dBi @ 1710 MHz; 1.5 dBi @ 1990 MHz; 2.4 dBi @ 2170 MHz; 2.6 dBi @ 2400 MHz; 4.7 dBi @ 2550 MHz; 5.6 dBi @ 2700 MHz
VSWR	< 2:1
Feed Impedance	50 ohms
Power Handling	30 dBm
Interface	SMA Male
Dimensions	205.9 mm(L) x 35 mm(W) x 7.7 mm(H)
Weight	40 g
Temperature Range	Operating -30°C to + 75°C Storage -30°C to + 75°C
Humidity Range	5 to 95%