

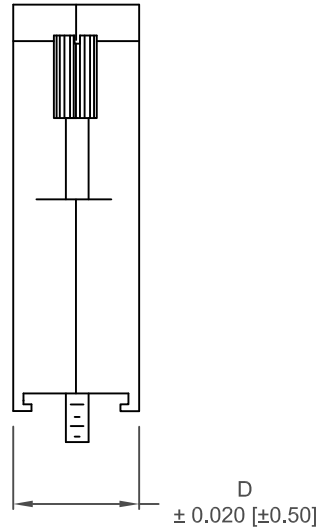
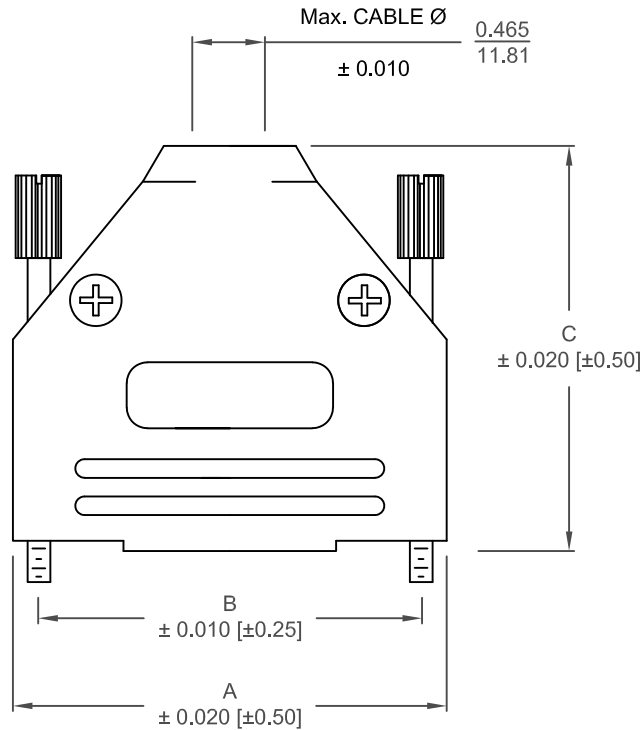
DESCRIPTION: 970 SERIES D-SUB BACKSHELL

**BACKSHELL KIT INCLUDES:**

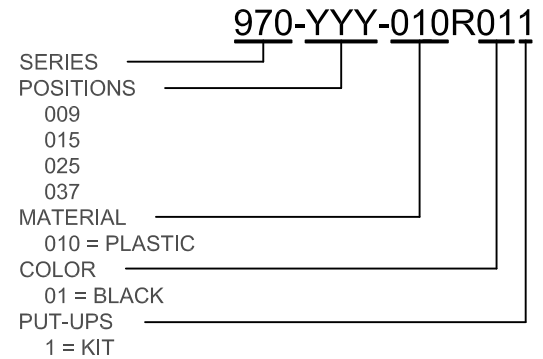
- (2) BACKSHELL HALVES
- (2) 4-40 THUMBSCREWS
- (2) HOUSING SCREWS/NUTS
- (1) SET OF COMPRESSION INSERTS - VARIOUS SIZES  
 $\varnothing 0.157$  [4.0],  $\varnothing 0.197$  [5.0],  $\varnothing 0.276$  [7.0],  $\varnothing 0.354$  [9.0]

MATERIAL: ABS POLYLAC / BLACK  
 UL 94-HB  
 JACKSCREWS: STEEL - BLACK OXIDE  
 M3 HOODSCREWS: STEEL - BLACK OXIDE  
 COMPRESSION INSERT: ABS UL 94-HB  
 M3 NUT: STEEL, BLACK OXIDE  
 OPERATING TEMP: -30°C TO +90°C

\*\*NOTE: 3 in-lbs IS RECOMMENDED TORQUE FOR HOUSING SCREWS



DIMENSIONS (in/mm)				
No. OF PINS	A	B	C	D
9	1.228	0.984	1.571	0.590
	31.19	24.99	39.90	14.99
15	1.555	1.312	1.634	0.590
	39.50	33.32	41.50	14.99
25	2.102	1.852	1.913	0.590
	53.39	47.04	48.59	14.99
37	2.744	2.500	2.110	0.590
	69.70	63.50	53.59	14.99



UNITS = INCHES [MM]

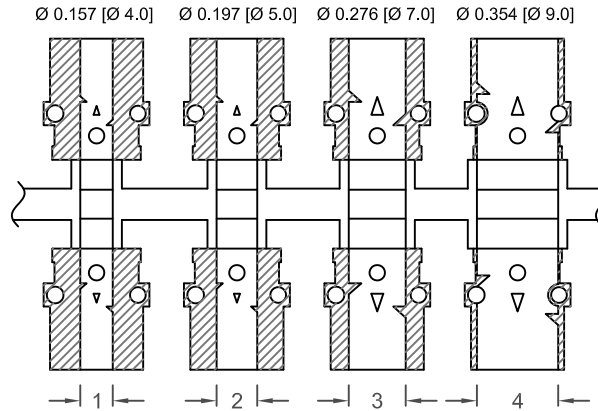
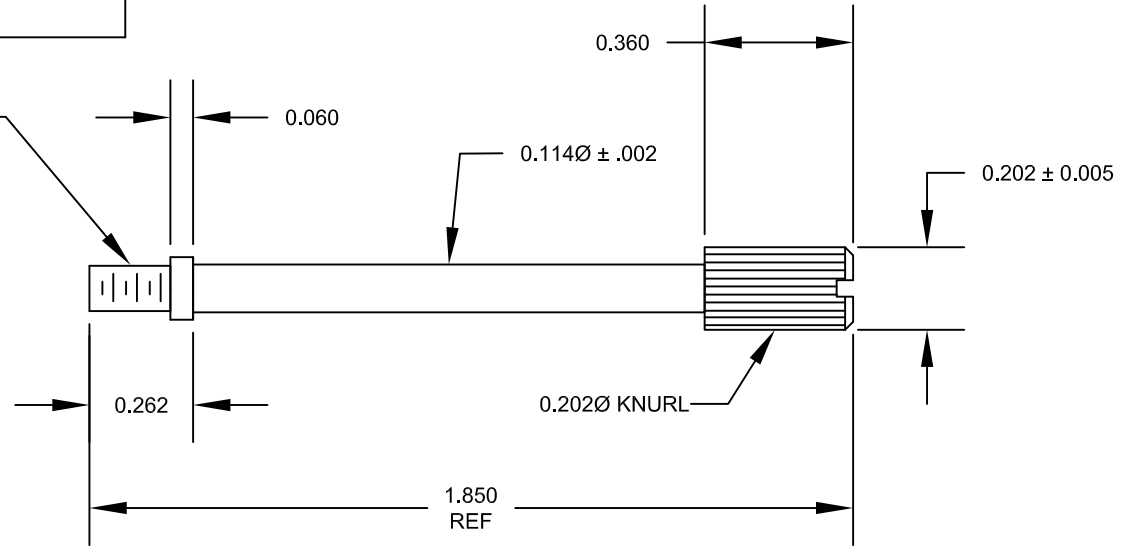
	THESE DRAWINGS AND SPECIFICATIONS ARE THE PROPERTY OF NorComp AND SHALL NOT BE REPRODUCED, COPIED OR USED AS THE BASIS FOR THE MANUFACTURE OR SALE OF APPARATUS WITHOUT WRITTEN PERMISSION.		DRAWN: PAM JENKINS	DATE: 6-09-05
	<h1>NorComp</h1>		SCALE NTS	SHEET 1 OF 2
DWG NO. 970-YYY-010R011				

RoHS COMPLIANT

DESCRIPTION: 970 SERIES D-SUB BACKSHELL

MATERIAL: STEEL  
PLATING: ZINC, BLACK

#4-40 UNC THREAD



PLASTIC INSERTS

UNITS = INCHES [MM]



THESE DRAWINGS AND SPECIFICATIONS ARE THE PROPERTY OF NorComp AND SHALL NOT BE REPRODUCED, COPIED OR USED AS THE BASIS FOR THE MANUFACTURE OR SALE OF APPARATUS WITHOUT WRITTEN PERMISSION.

DRAWN:  
PAM JENKINS

DATE:  
6-09-05

SCALE  
NTS

SHEET  
2 OF 2

REV  
11

DWG NO. 970 -YYY-010R011

RoHS COMPLIANT

NorComp