

Sensitivity Wavelength Range: 800nm~2600nm

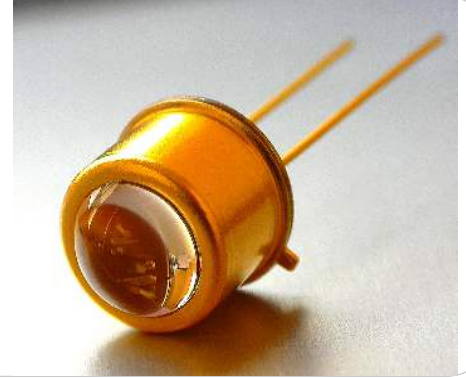
The MTPD260K8-300 from Marktech, a high sensitivity and high reliability product series, is ideally suited for Optical Communication devices. Custom packaging options for this die is also available.

FEATURES

- > High Speed Response
- > TO-39 Hermetically Sealed Dome Lens Package
- > Active Area of 3.0mm Φ / High Sensitivity
- > Spectral Range 800nm - 2600nm

APPLICATIONS

- > High Speed Optical Communications
- > Industrial Controls
- > Gas/Water Analysis
- > LIDAR
- > Medical



Absolute Maximum Ratings (Ta=25°C)

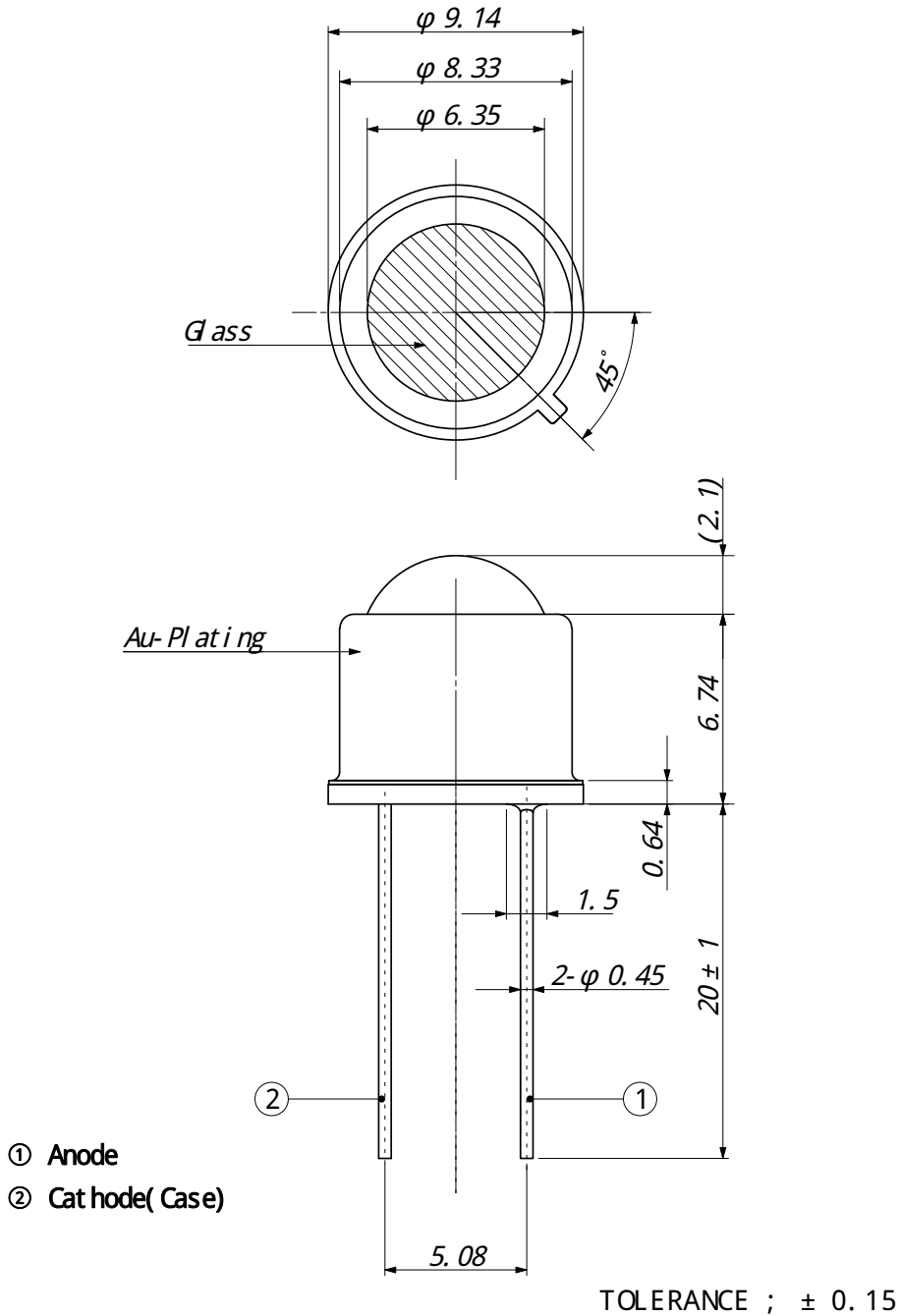
| ITEMS | SYMBOL | RATINGS | UNIT |
|-----------------------------|--------|-------------|------|
| Active Area | Φ | 3.0 | mm |
| Operating Temperature Range | Topr | -40 to +85 | °C |
| Storage Temperature Range | Tstg | -40 to +125 | °C |



Electrical & Optical Characteristics (Ta = 25°C)

| ITEMS | SYMBOL | CONDITIONS | MIN | TYP | MAX | UNIT |
|--------------------|-----------|-------------------|-----|------|------|------|
| Breakdown Voltage | VR | IR= 100uA | -- | -- | 1 | V |
| Sensitivity Range | λ | VR=0V | 800 | -- | 2600 | nm |
| Dark Current | ID | VR=0V | -- | 850 | -- | nA |
| Dark Current | ID | VR=1V | -- | 830 | -- | uA |
| Capacitance | C | VR=0V | -- | 3000 | -- | pF |
| Capacitance | C | VR=1V | -- | 450 | -- | pF |
| Responsivity | R | λ =2400nm | -- | 1.24 | -- | A/W |
| Shunt Resistance | RS | VR=10mV | -- | 0.34 | -- | kOhm |
| Quantum Efficiency | QE | λ =1840nm | -- | 72 | -- | % |

Package Dimensions

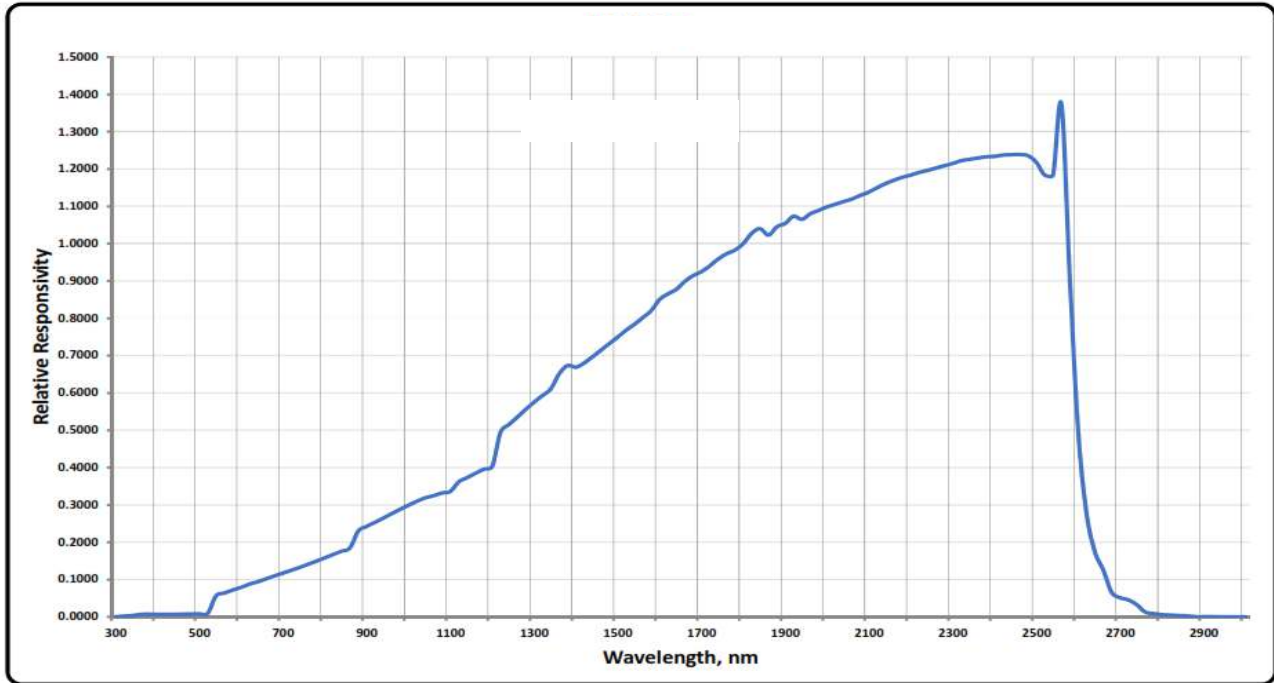


Unit: mm, Tolerance: ± 0.2

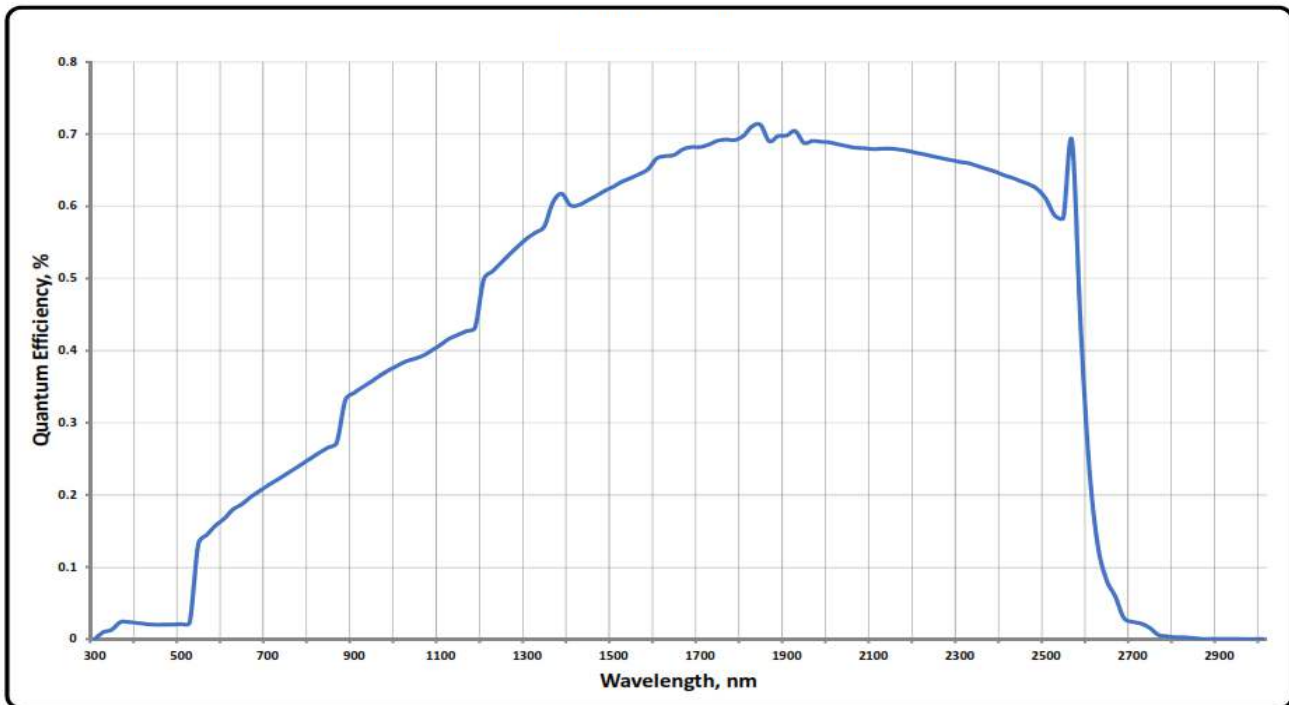
The information contained herein is subject to change without notice.

2022-12-8

Spectral Responsivity

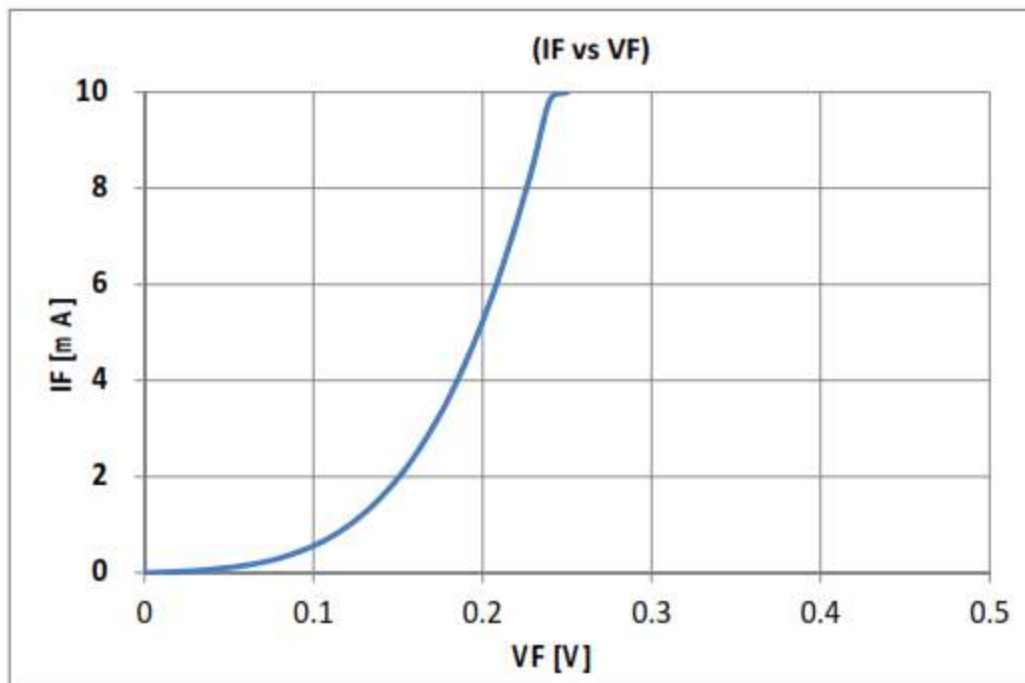
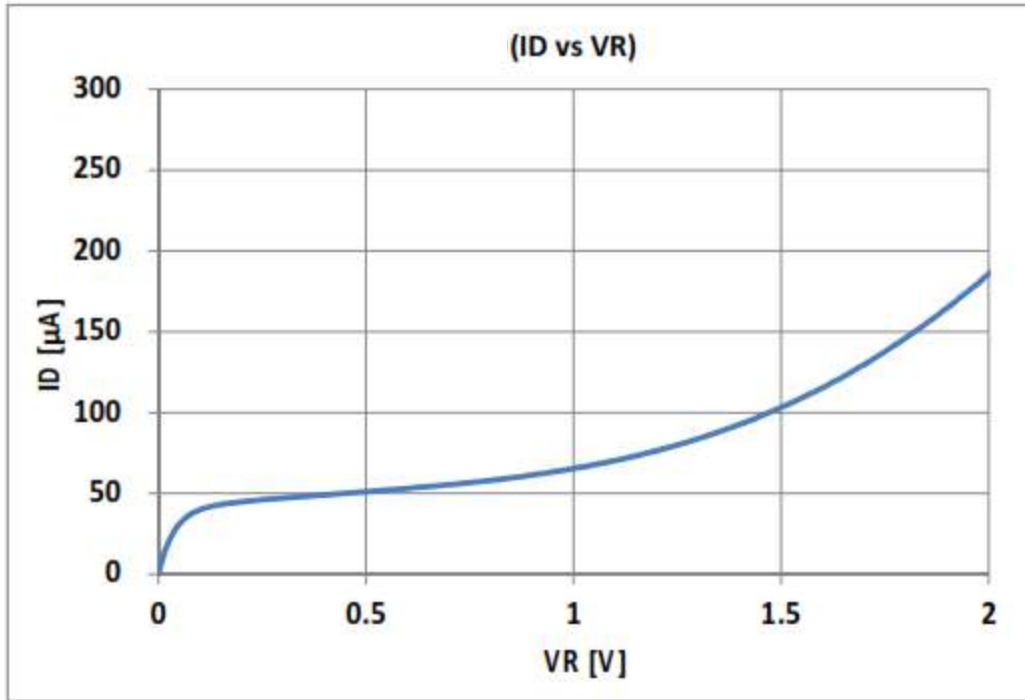


Quantum Efficiency



The information contained herein is subject to change without notice.

2022-12-8



The information contained herein is subject to change without notice.

2022-12-8