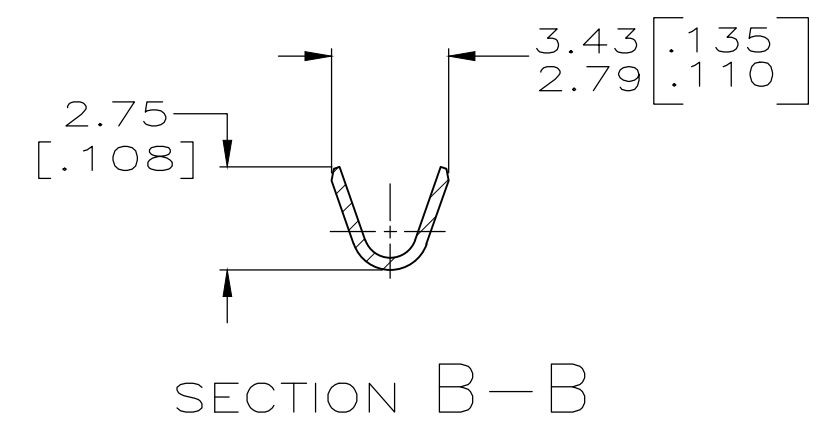
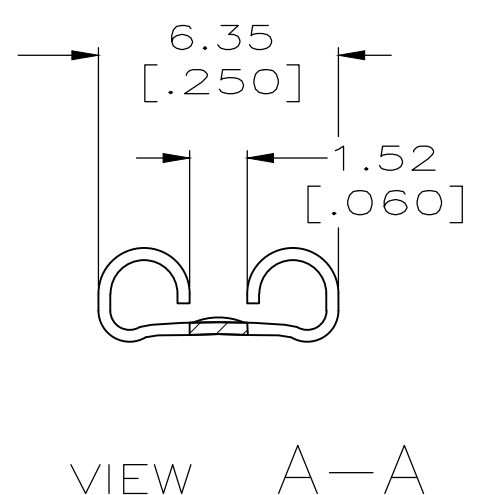
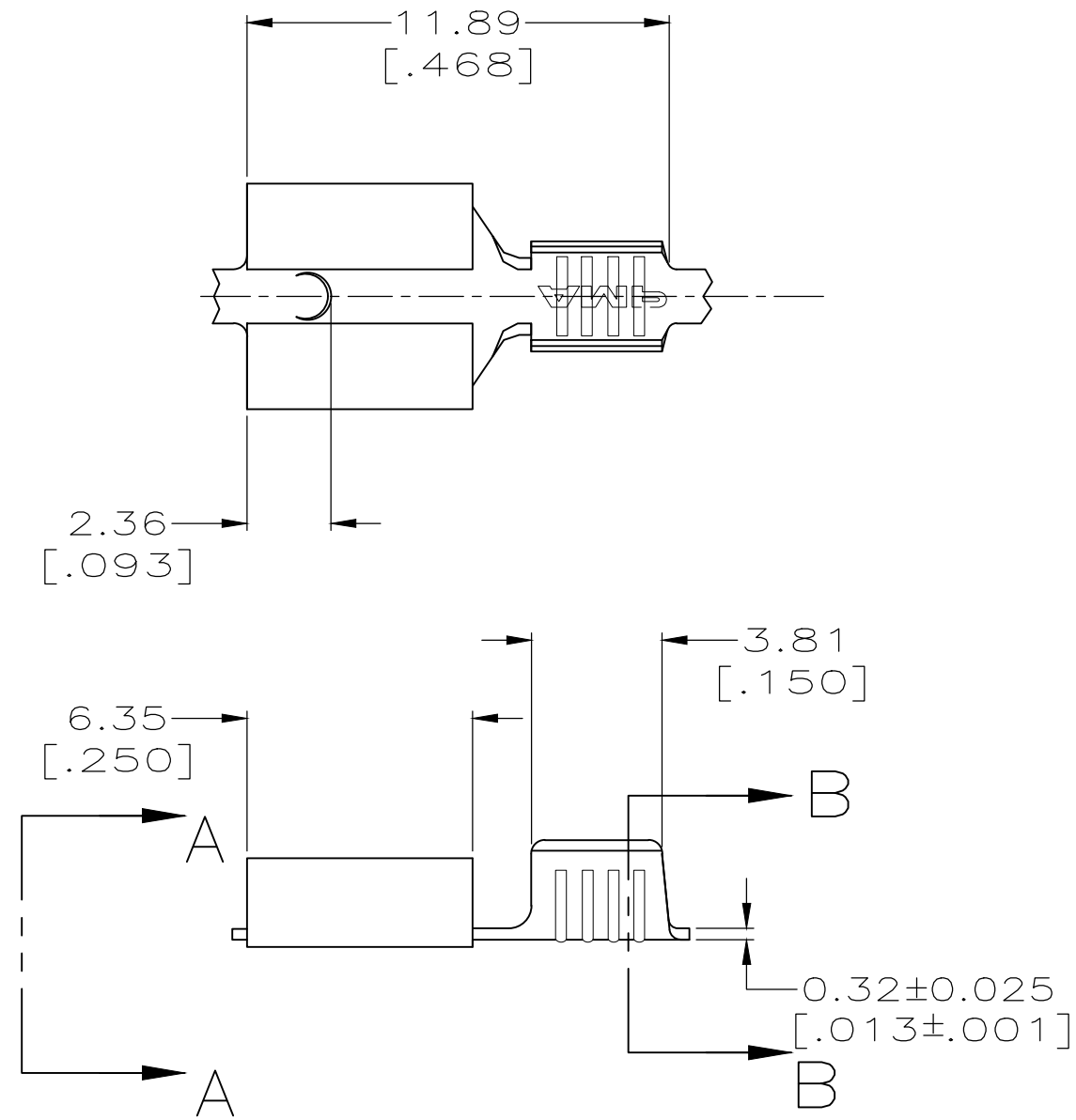


THIS DRAWING IS UNPUBLISHED. RELEASED FOR PUBLICATION
 © COPYRIGHT - By - ALL RIGHTS RESERVED.

LOC	DIST	REVISIONS			
P	LTR	DESCRIPTION	DATE	DWN	APVD
AF	50	G1	REVISED PER ECR-19-018151	12NOV2020	AA EW



- 1 CONTINUOUS STRIP ON REELS
- 2 MATING TAB THK TO BE 0.81±0.025 [.032±.001].
- 3 WIRE SIZE IS [#22-#18] AWG.
- 4 FEED IS 13.46±0.13 [.530±.005].

OBSOLETE

OBSOLETE	TIN	60205-2
OBSOLETE		60205-1
	FINISH	PART NO.

THIS DRAWING IS A CONTROLLED DOCUMENT.		DWN	JR RUTH	12/18/98	TE Connectivity RECEPTACLE, FASTON, 5.21 [.205] SERIES, SPECIAL								
DIMENSIONS: mm [INCHES]		CHK	MS FEHER	12/18/98									
TOLERANCES UNLESS OTHERWISE SPECIFIED:		APVD	S HEADER	12/18/98									
0 PLC ± - 1 PLC ± - 2 PLC ± 0.38 [.015] 3 PLC ± - 4 PLC ± - ANGLES ± -		PRODUCT SPEC		NAME									
MATERIAL	BRASS	FINISH	SEE TABLE	WEIGHT	-	SIZE	A3	CAGE CODE	00779	DRAWING NO	C-60205	RESTRICTED TO	-
CUSTOMER DRAWING						SCALE	5:1	SHEET	1 OF 1	REV	G1		