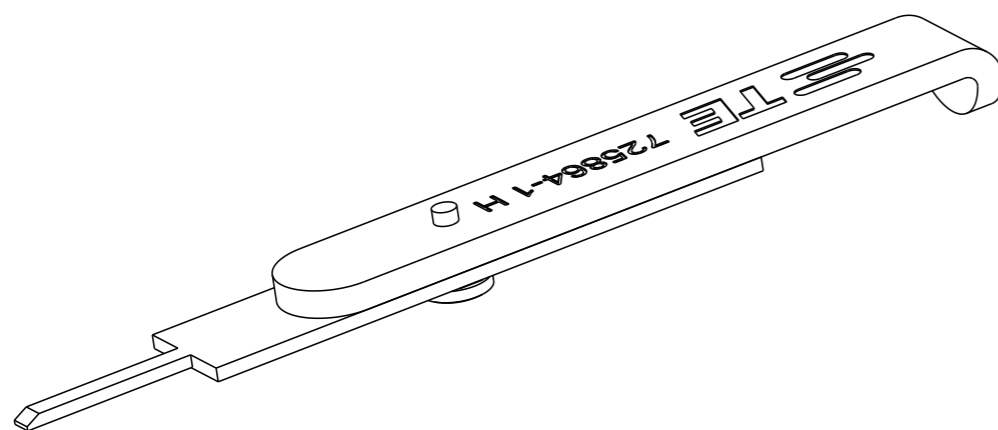
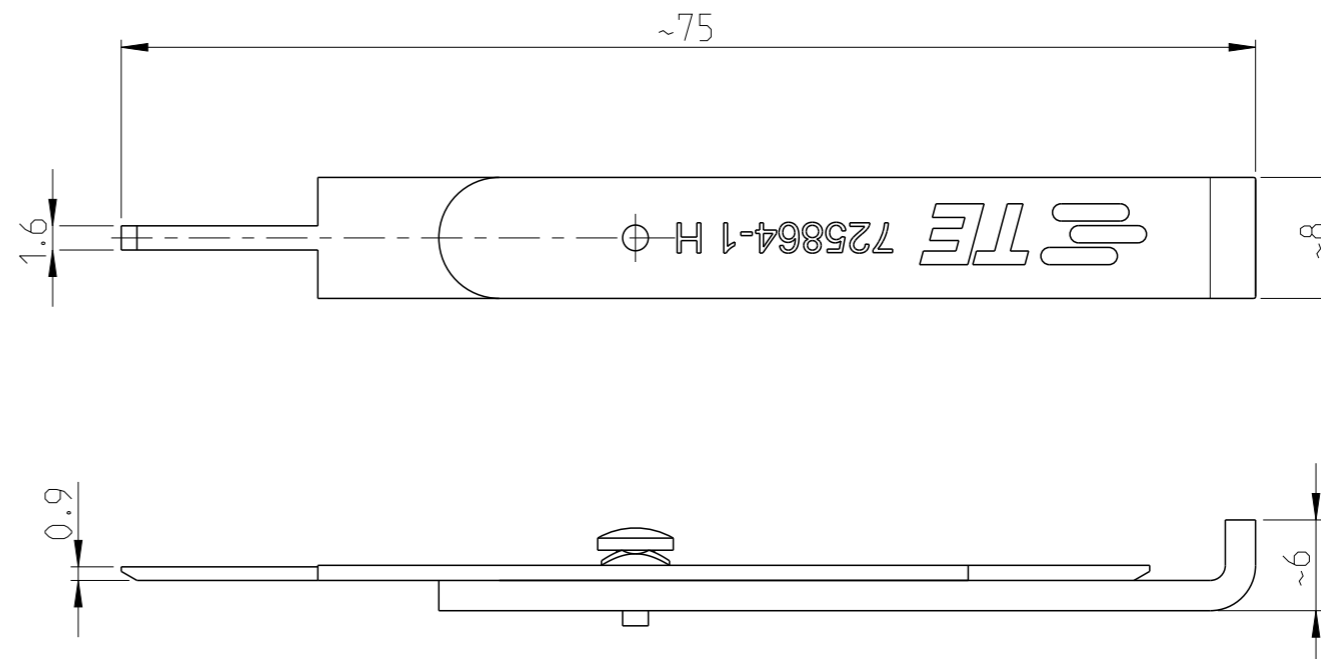



REVISIONS

P	LTR	DESCRIPTION	DATE	DWN	APVD
	H	ECR-13-003020	08MAR2013	LS	GS
	H1	ECR-20-008954	13JUL2020	PNT	GS



APPLICATION RANGE / Anwendungsbereich

For Contacts Fastin-Faston 2.8; 4.8; 6.3
 TE-P/N: 963951, 927892, 927893, 928923,
 928924, 928930

THIS DRAWING IS A CONTROLLED DOCUMENT.		DWN L. Sandhu 06FEB2013	 TE Connectivity													
DIMENSIONS: mm		CHK G. Stegmayer 16FEB2013														
TOLERANCES UNLESS OTHERWISE SPECIFIED:		APVD G. Stegmayer 16FEB2013	NAME EXTRACTION TOOL													
<table border="0"> <tr> <td>0 PLC</td> <td>±</td> </tr> <tr> <td>1 PLC</td> <td>±</td> </tr> <tr> <td>2 PLC</td> <td>±</td> </tr> <tr> <td>3 PLC</td> <td>±</td> </tr> <tr> <td>4 PLC</td> <td>±</td> </tr> <tr> <td>ANGLES</td> <td>±</td> </tr> </table>		0 PLC	±	1 PLC	±	2 PLC	±	3 PLC	±	4 PLC	±	ANGLES	±	PRODUCT SPEC	RESTRICTED TO	
0 PLC	±															
1 PLC	±															
2 PLC	±															
3 PLC	±															
4 PLC	±															
ANGLES	±															
MATERIAL		FINISH	APPLICATION SPEC	SIZE A3												
		WEIGHT 0.01 kg	CAGE CODE 00779	DRAWING NO G=725864-1												
		CUSTOMER DRAWING	SCALE 2:1	SHEET 1 OF 1												
				REV H1												