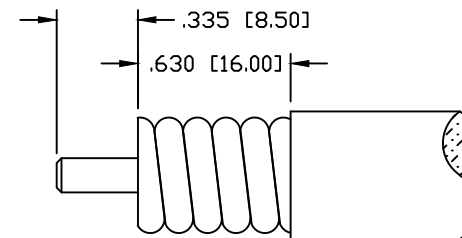
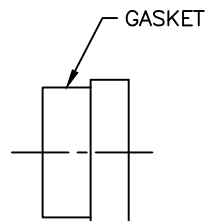
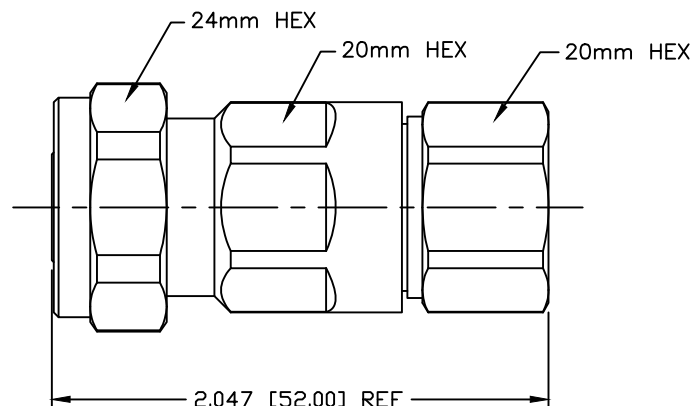


PART NO.

**RFD-4195MC-H4**

REV	DESCRIPTION	DWN	DATE	APPROVED
B1	UPDATED NOTES	CZS	10/25/19	JDMc

RECOMMENDED STRIPING DIMENSIONSSPECIFICATIONS:

IMPEDANCE: 50 Ohms

FREQUENCY RANGE: 0-3 GHz

VSWR: &lt;1.15:1 THRU 3GHz

PIM: &lt;-155 dBc

DIELECTRIC WITHSTANDING VOLTAGE: 2500V/AC

INSULATION RESISTANCE: 10000 MΩ

TEMPERATURE RANGE: -40°C TO 155°C

MECHANICAL DURABILITY: 500 CYCLES

FOR FSJ4-50B, SCF12-50J, SPF &amp; SPO-500 CABLE

USE OF CABLE TRIM TOOL IS RECOMMENDEDUSE COMPATIBLE TRIM TOOL SUCH AS TRIM-SET-S12-D01

10	SHELL	1	BRASS	WHITE BRONZE
9	BACK NUT	1	BRASS	WHITE BRONZE
8	GASKET	1	RUBBER	----
7	RETAINING RING	1	BeCu	WHITE BRONZE
6	O-RING	1	RUBBER	----
5	CLAMP	1	BRASS	WHITE BRONZE
4	BEAD	1	ABS	----
3	PIN	1	PHOSPHOR BRONZE	SILVER
2	INSULATOR	1	PTFE	----
1	BODY	1	BRASS	WHITE BRONZE
#	DESCRIPTION	QTY	MATERIAL	FINISH

CUSTOMER  
OUTLINE DRAWINGALL DIMENSIONS  
ARE REFERENCE ONLYUNLESS OTHERWISE SPECIFIED:  
DIMENSIONS ARE IN INCHES  
AND [MILLIMETERS]DRAWN  
C. ZUNIGA 10/25/19  
CHECKEDORJ DRAWN  
JDM 8/31/16**RoHS  
COMPLIANT**PROPRIETARY AND CONFIDENTIAL  
THIS DRAWING CONTAINS  
INFORMATION PROPRIETARY TO  
RF INDUSTRIES. ANY  
UNAUTHORIZED USE OF THIS  
DRAWING IS EXPRESSLY  
PROHIBITED WITHOUT WRITTEN  
PERMISSION FROM RF  
INDUSTRIES. ANY VIOLATION IS  
PUNISHABLE UNDER U.S.  
COPYRIGHT LAWS.**RFconnectors**7610 MIRAMAR RD.  
SAN DIEGO, CA 92126  
(858) 549-6340  
DIVISION OF RF INDUSTRIES, LTD. (858) 549-6345 FAX**4.1/9.5 MALE CLAMP**

CAPTIVE PIN - FOR 1/2" SUPERFLEX CABLE

SIZE	CABLE GROUP	DWG NO.	REVISION
A	H4	<b>RFD-4195MC-H4</b>	B1
SCALE:	ENGINEERING ID:	SHEET 1 OF 1	
NTS	001787		