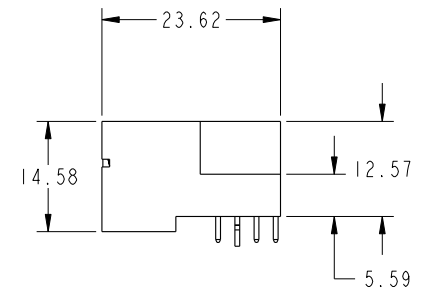
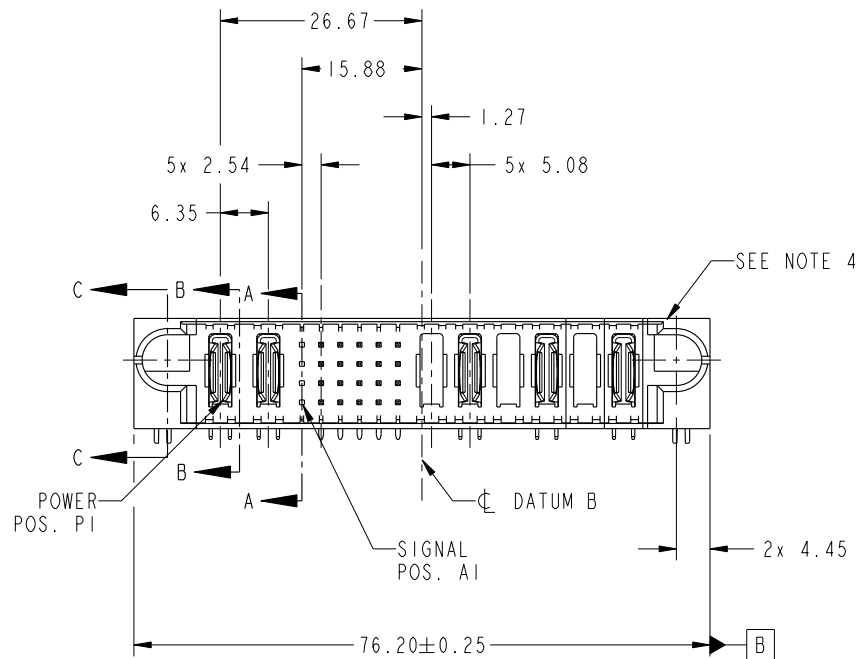


PRODUCT NO.	ROWS	POWER		SIGNAL						POWER							
		E1	P1	P2	1	2	3	4	5	6	P3	P4	P5	P6	P7	P8	E2
51939-838-- NOTE 3	D C B A		PA	PA	X	U	U	U	U	U	X	PA	X	PA	X	PA	



CODE	DIM "M" MATING LENGTH	CONTACT TYPE
U	[6.86]	SIGNAL
T	[6.86]	SIGNAL
S	[6.86]	SIGNAL
R	[6.86]	SIGNAL
PA	[N/A]	POWER
HA	[N/A]	HOLD-DOWN
X	[N/A]	OMITTED

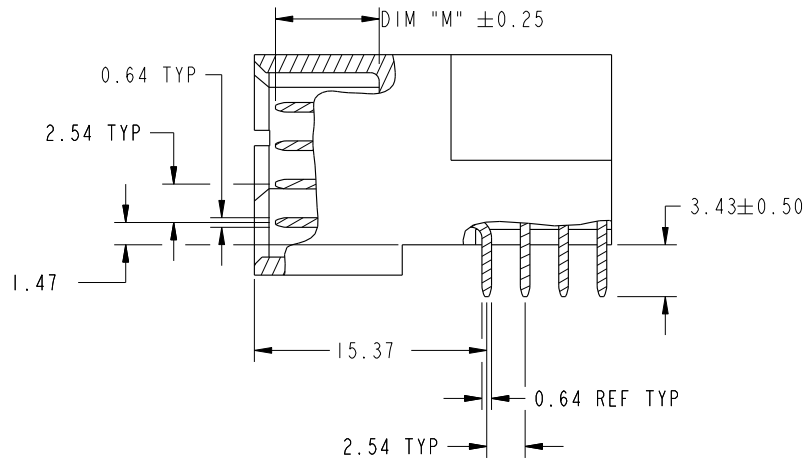
spec ref	*	dr	Luo Weller	2014/03/11	projection	MM	size	A4	scale	1:1	
tolerance std	TOLERANCES UNLESS OTHERWISE SPECIFIED	eng	Luo Weller	2014/04/01			ecn no	-			
SEE NOTE		chr	-	-				product family	PwrBlade	rel level	Released
surface	linear	0.X	±0.5		title	51939-838	rev	A			
✓		0.XX	±0.25					cat. no.	-	Product - Customer Drw	sheet 1 of 4
	0.XXX	±0.1	www.fci.com								
angular	0°	±2°									



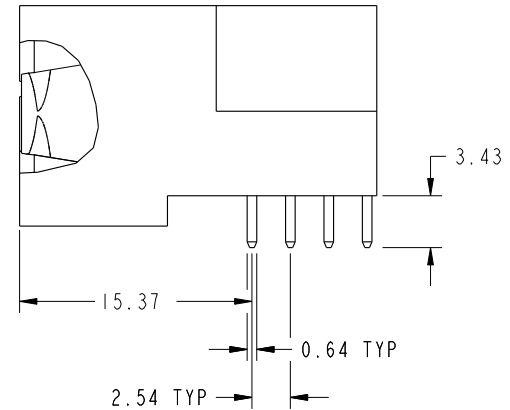
Copyright FCI.

PRODUCT NUMBER

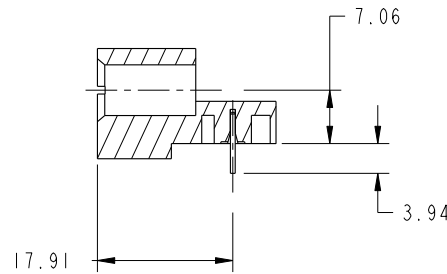
51939-838--
NOTE: 3



BROKEN-OUT SECTION A-A
SCALE 2:1



BROKEN-OUT SECTION B-B
SCALE 2:1

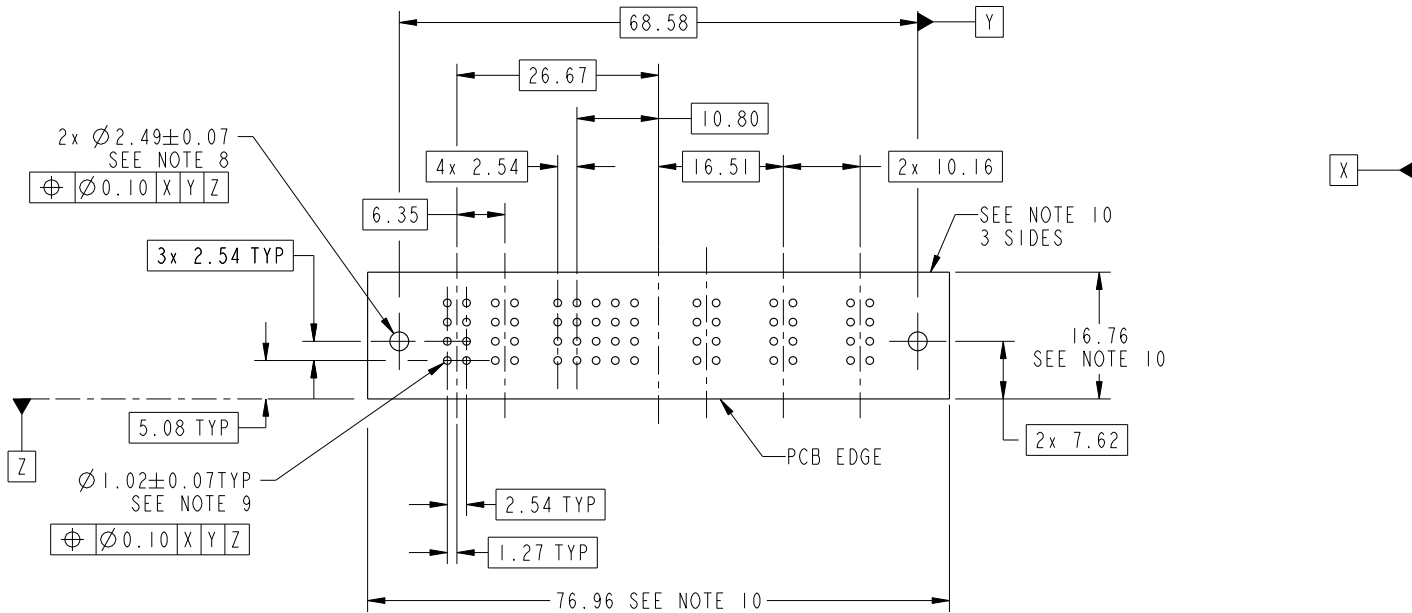


SECTION C-C

dr	Luo Weller	2014/03/11	projection 	MM ←————→	size	A4	scale	1:1	
eng	Luo Weller	2014/04/01			ecn no	-			
chr	-	-			rel level	Released			
appr	PM Zheng	2014/04/01	product family	PwrBlade					
		title	2P + 24S + 6DCP RIGHT ANGLE SOLDER HEADER		dwg no	51939-838		rev	A
www.fci.com	cat. no.	-	Product - Customer Drw			sheet 2 of 4			

PRODUCT NUMBER

51939-838--
NOTE: 3



RECOMMENDED PCB LAYOUT

dr	Luo Weller	2014/03/11	projection 	MM 	size	A4	scale	1:1		
eng	Luo Weller	2014/04/01			ecn no	-				
chr	-	-			rel level	Released				
appr	PM Zheng	2014/04/01	product family	PwrBlade						
			title	2P + 24S + 6DCP RIGHT ANGLE SOLDER HEADER		dwg no	51939-838		rev	A
www.fci.com			cat. no.	-	Product - Customer Drw			sheet 3 of 4		

PRODUCT NUMBER

51939-838--
NOTE: 3

NOTES:

1. DIMENSIONS AND TOLERANCES ARE IN ACCORDANCE WITH ASME Y14.5M, 1994 UNLESS OTHERWISE SPECIFIED.

CONNECTOR NOTES:

- 2. HOUSING MATERIAL: UL 94 V-0 GLASS FILLED HIGH-TEMP THERMOPLASTIC
POWER CONTACT MATERIAL: COPPER ALLOY
SIGNAL PIN MATERIAL: COPPER ALLOY
- 3. SEE ITEM 1 & 2 IN PRINT 10064183 FOR PLATING SPEC OF 51939-838 AND 51939-838LF RESPECTIVELY.
- 4. MANUFACTURER'S NAME, DATE CODE AND OPTIONAL P/N TO APPEAR ON THIS SURFACE. THE MARK CAN BE OMITTED IF THERE IS NOT ENOUGH SPACE ON THIS SURFACE.
- 5. PRODUCT SPECIFICATION GS-12-149.
APPLICATION SPECIFICATION BUS-20-067.
- 6. PACKAGED IN TRAYS.

PCB NOTES:

- 7. ALL HOLE DIAMETERS ARE FINISHED HOLE SIZE.
- 8. MOUNTING HOLES, WHERE APPLICABLE, ARE UNPLATED.
- 9. $\varnothing 1.151 \pm 0.025$ DRILLED HOLES PLATED WITH
0.008 MIN SnPb OR Sn OVER 0.03
TO 0.08 Cu PLATING TO ACHIEVE
 $\varnothing 1.02 \pm 0.07$ HOLE.
- 10. CONNECTOR KEEP-OUT ZONE.

dr	Luo Weller	2014/03/11	projection 	MM 	size	A4	scale	1:1			
eng	Luo Weller	2014/04/01			ecn no	-					
chr	-	-			product family	PwrBlade	rel level	Released			
appr	PM Zheng	2014/04/01			title	2P + 24S + 6DCP RIGHT ANGLE SOLDER HEADER		dwg no	51939-838	rev	A
www.fci.com		cat. no.	-	Product - Customer Drw			sheet 4 of 4				



Copyright FCI.