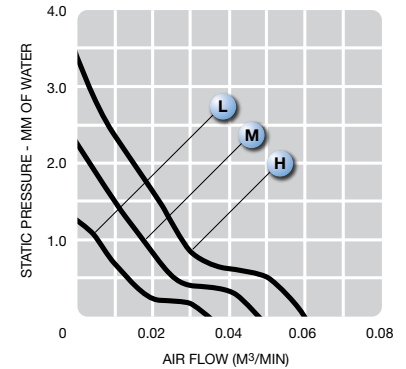
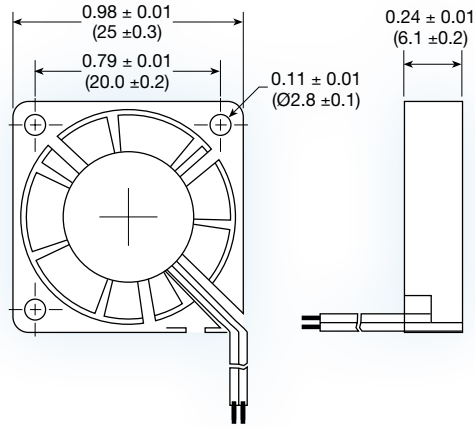


MA2506 series



(25 x 25 x 6.1 mm)

0.98 x 0.98 x 0.24 inches

Construction: UL94V-0 PBT impeller & frame

Bearing option: ball bearing or sleeve

Connection: AWG 30, UL1007 lead wires

Frame: ribbed

Protection: thermal

Options: tachometer output signal

Model No.	Rated Voltage V	Operating Voltage V	Current mA	Speed RPM	Air Volume		Max. Static Pressure (H ₂ O)		Sound Noise dBa	Weight g
					M ³ /Min.	CFM	MM	INCH		
MA2506L	5	3 - 6.5	50	6,500	0.03	1.22	1.25	0.05	11.0	8
MA2506M	5	3 - 6.5	60	8,500	0.05	1.65	2.30	0.09	19.0	8
MA2506H	5	3 - 6.5	70	10,500	0.06	2.08	3.37	0.13	25.5	8