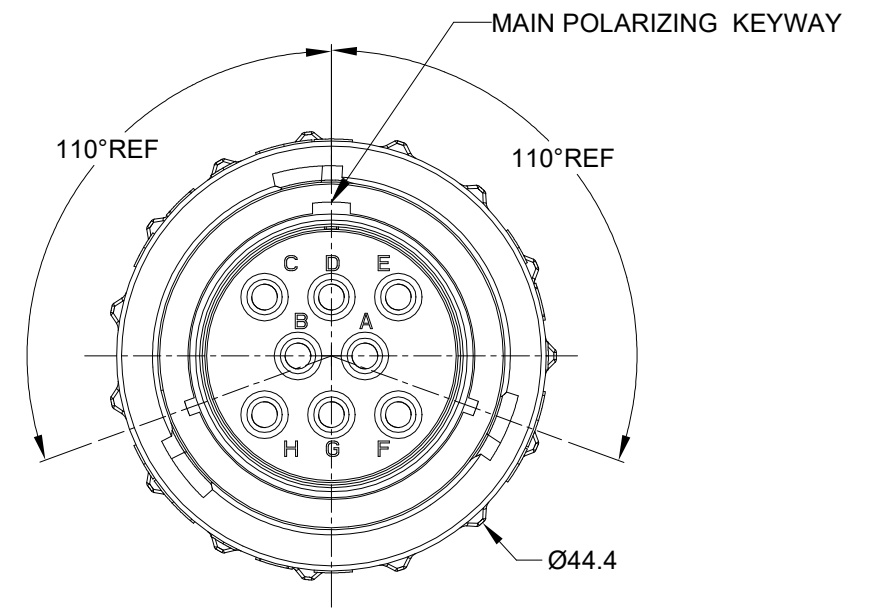
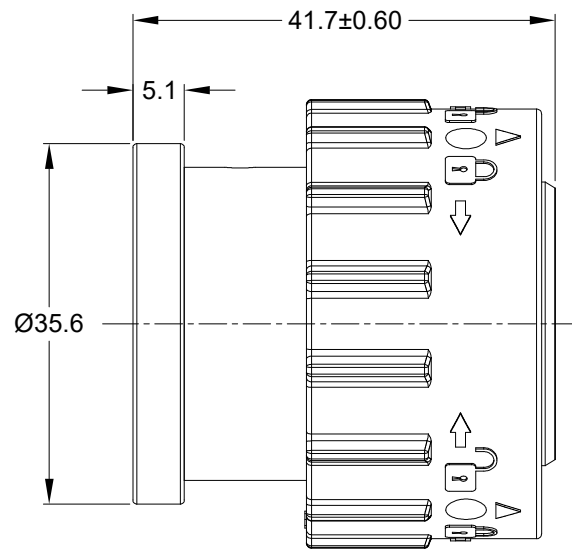
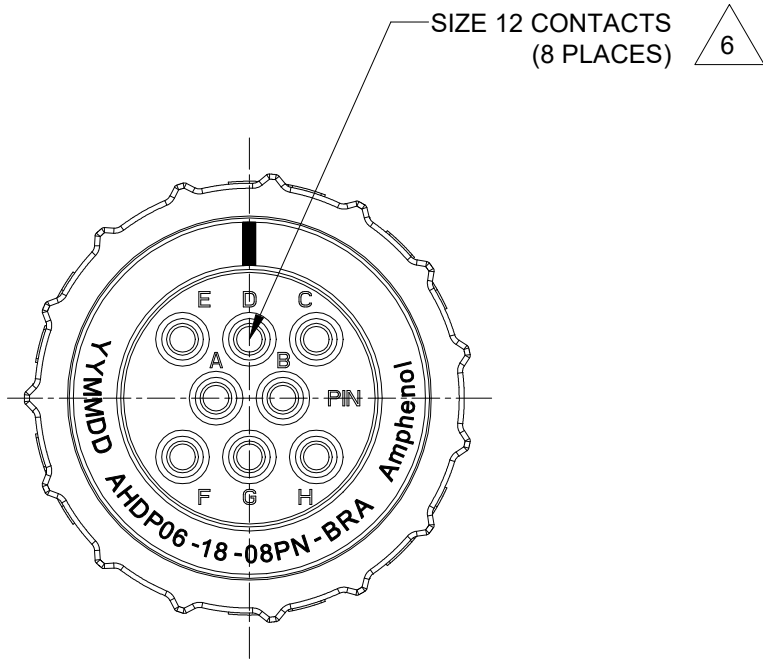


REVISIONS					
REV	ECO	DESCRIPTION	DATE	BY	APPR
A1	-	RELEASE NEW DRAWING	30/MAR/22	MILO	TOMMY

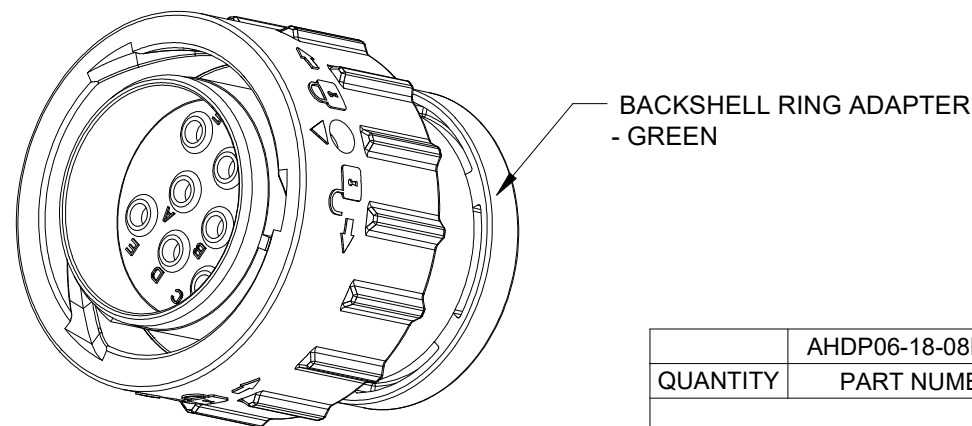


NOTES: UNLESS OTHERWISE SPECIFIED

- MATERIAL:  
HOUSING: THERMOPLASTIC; BLACK  
SEAL: SILICONE RUBBER
- MODIFICATIONS: BACKSHELL RING ADAPTER (BRA);  
STANDARD DIA. WIRE SEAL
- SPECIFICATIONS:  
3.1 OPERATING TEMPERATURE: -55°C TO +125°C.  
3.2 DIELECTRIC WITHSTANDING VOLTAGE: LESS THAN 2 MILLIAMPS CURRENT LEAKAGE @ 1500 VOLTS AC.  
3.3 INSULATION RESISTANCE: 1000 MEGOHM MIN @ 25°C.  
3.4 MOISTURE RESISTANCE:  
IP68(IM OF WATER FOR A PERIOD OF 24 HOURS, MATED CONDITION);  
IP69K(MATED CONDITION).  
3.5 MATING CYCLE DURABILITY: 100 CYCLES  
3.6 RoHS COMPLIANT
- MATING PART: AHDP02-18-08S\* & AHDP04-18-08S\* (\* = SEAL TYPE)
- ALL DIMENSIONS ARE FOR REFERENCE USE ONLY.

6 CONTACT SIZE AND WIRE RANGE:

CONTACT SIZE	MIN. INSUL O.D.	MAX. INSUL O.D.	TYPICAL WIRE RANGE	CURRENT RATING
12	3.40 mm (.135 in)	4.32 mm (.170 in)	10-14 AWG (6.0-2.0mm <sup>2</sup> )	25 AMPS



TITLE: 8POS, PLUG, PIN, SIZE 18, NORMAL SEAL, BRA, DURAMATE AHDP  
DWG NO: AHDP06-18-08PN-BRA  
REV: A1  
SH: 1  
OF: 1

AHDPO6-18-08PN-BRA		REF:HDP26-18-8PN-L017	
QUANTITY	PART NUMBER	DESCRIPTION	ITEM
			1
MATERIALS LIST			
UNLESS OTHERWISE SPECIFIED 1) All dimensions are in metric(mm). 2) Tolerances are as follows: 1 PL DEC ±0.30 2 PL DEC ±0.15 3 PL DEC ±0.08 3) Note reference = X		SIGNATURES	DATE
		DRAWN: MILO	30/MAR/22
		CHECKED: SULLEN	31/MAR/22
		ENGINEER:	
		APPROVAL: TOMMY	01/APR/22
MATERIAL SPECIFICATIONS: WEIGHT: 44.3g		CUSTOMER:	
PROCESS SPECIFICATIONS:		THIS DRAWING IS SUPPLIED FOR INFORMATION ONLY. DESIGN FEATURES, SPECIFICATIONS AND PERFORMANCE DATA SHOWN HEREON ARE THE PROPERTY OF THE AMPHENOL CORPORATION. NO RIGHTS OF REPRODUCTION ARE IMPLIED. ALL DIMENSIONS ARE SUBJECT TO NORMAL MANUFACTURING VARIATIONS.	
NEXT ASSY:		SCALE: NONE	
		SIZE	REVISION
		B C-	A1
		DWG NO: AHDP06-18-08PN-BRA	
		SHEET 1 OF 1	

**Amphenol**

Sine Systems - www.amphenol-sine.com  
44724 Morley Drive  
Clinton Township, MI 48036

8POS, PLUG, PIN, SIZE 18,  
NORMAL SEAL, BRA, DURAMATE AHDP