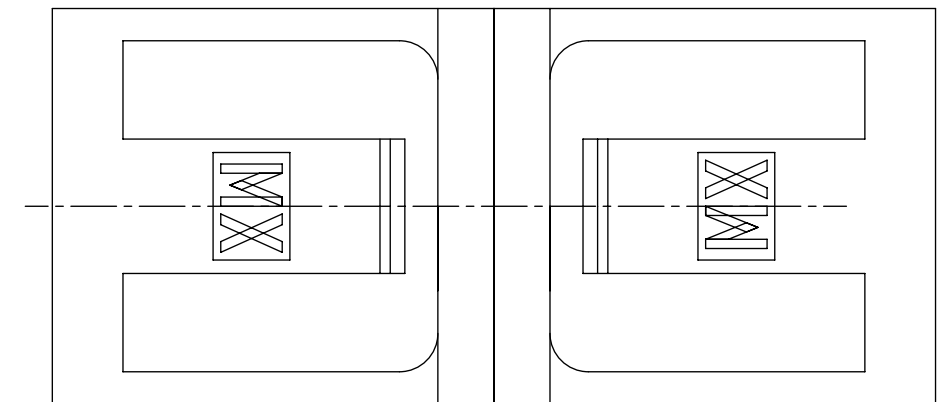
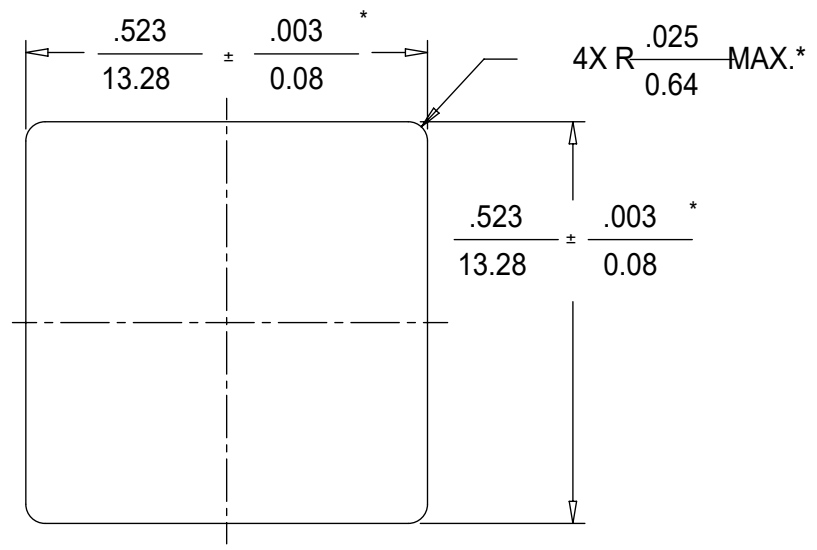
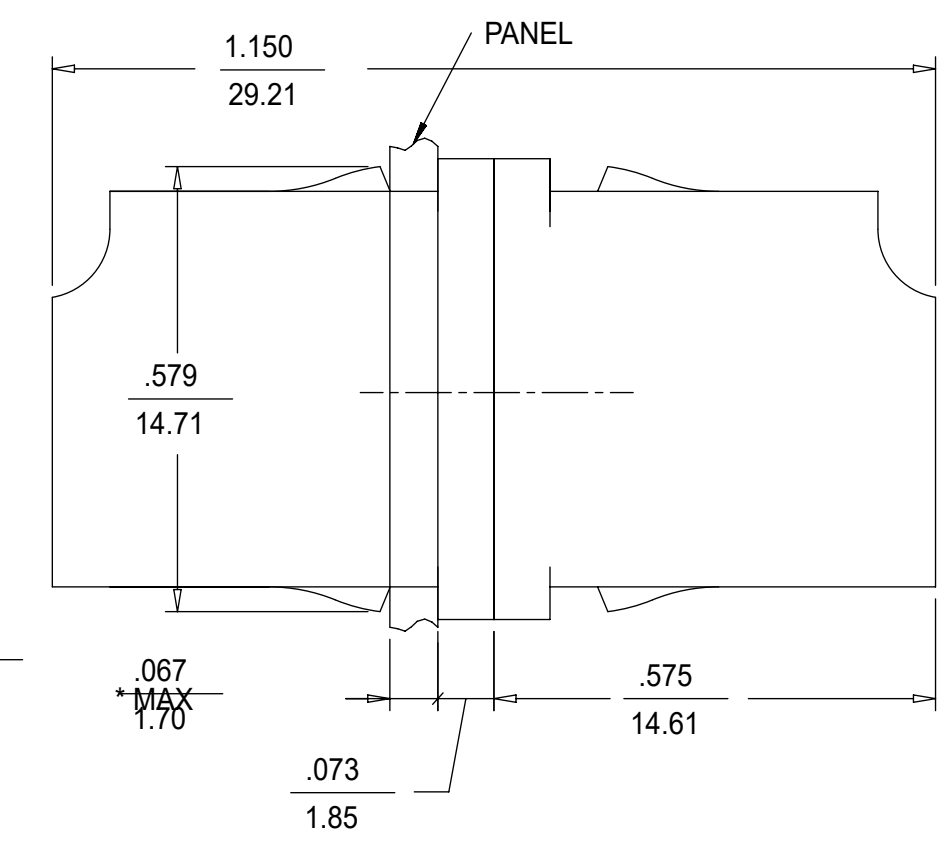
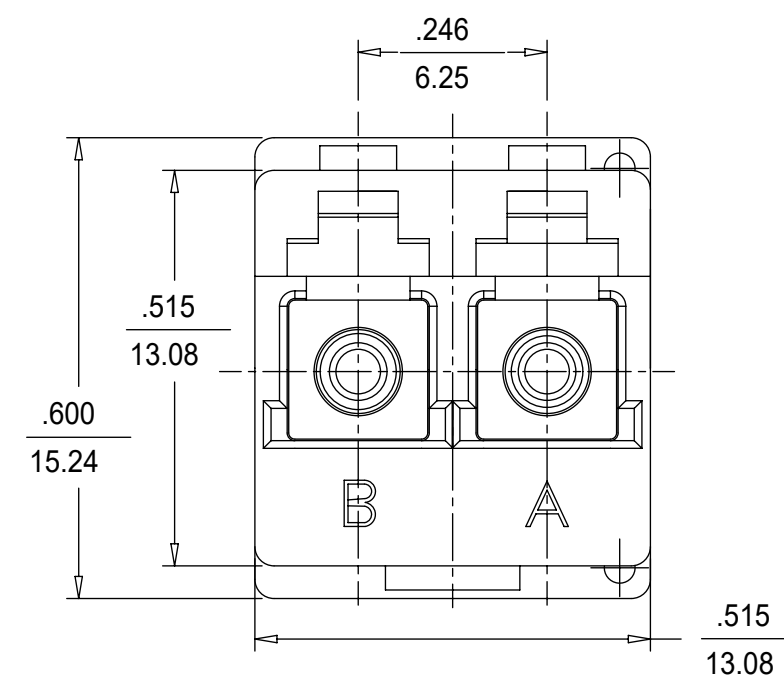


| ADAPTER P/N | COLOR | SPLIT SLEEVE MATERIAL |
|--------------|-------|-----------------------------|
| 106125-1100 | BLUE | ZIRCONIA - ZrO ₂ |
| 106125-0110 | BEIGE | |
| 106125-0111* | | |
| 106125-1150 | GREEN | |
| 106125-0100 | BLUE | |
| 106125-1110 | BEIGE | |
| 106125-0120 | AQUA | |
| 106125-1170 | BLACK | |



(DUST CAPS ARE NOT SHOWN)

RECOMMENDED PANEL CUTOUT

PANEL THICKNESS $\frac{.067}{1.70}$ MAX.

NOTES:

- ALL DIMENSIONS ARE FOR REFERENCE ONLY. EXCEPT WHEN MARKED WITH (*).
- P/N 106125-0111 SHALL BE BULK PACKED IN QUANTITIES OF 100pcs.
- ALL POLYMERIC MATERIALS USED IN THIS ADAPTER HAVE UL94 RATING OF V-0.

| | | | | | | | | |
|--------------------|---|--------------------------|-------------------------------|-----------|--------------------------|-----------------|----------|--------------|
| FUNCTIONAL SYMBOLS | THIS DRAWING CONTAINS INFORMATION THAT IS PROPRIETARY TO MOLEX ELECTRONIC TECHNOLOGIES, LLC AND SHOULD NOT BE USED WITHOUT WRITTEN PERMISSION | | CURRENT REV DESC: | | molex | | | |
| | DIMENSION UNITS | SCALE | EC NO: 652962 | | | | | |
| | INCH/MM | 4:1 | DRWN: SKRISHNAMU01 2021/05/31 | | | | | |
| | GENERAL TOLERANCES (UNLESS SPECIFIED) | | CHK'D: WCHEN 2021/08/24 | | | | | |
| DIVISIONAL SYMBOLS | ANGULAR TOL ± 0.5° | | APPR: WCHEN 2021/08/24 | | PRODUCT CUSTOMER DRAWING | | | |
| | 4 PLACES ± | INITIAL REVISION: | | | | | | |
| | 3 PLACES ± | DRWN: PGIBLIN 2005/10/25 | | | | | | |
| | 2 PLACES ± | APPR: IGUMIN 2005/10/26 | | | | | | |
| 1 PLACE ± | DRAFT WHERE APPLICABLE MUST REMAIN WITHIN DIMENSIONS | | THIRD ANGLE PROJECTION | DRAWING | SERIES | MATERIAL NUMBER | CUSTOMER | SHEET NUMBER |
| 0 PLACES ± | B-SIZE | | 106125 | SEE TABLE | GENERAL MARKET | 1 OF 1 | | |

| | | | | |
|-----------------|----|--------------|------------|----------|
| DOCUMENT STATUS | P1 | RELEASE DATE | 2021/08/24 | 01:00:17 |
|-----------------|----|--------------|------------|----------|