

NOTES:

1. MATERIAL AND FINISH:

BODIES: BeCu, WHITE BRONZE PLATING  
 CONTACT: BeCu, GOLD PLATING OVER WHITE BRONZE  
 RETAINING RING: BeCu, GOLD PLATING OVER WHITE BRONZE  
 CAP: BeCu, BeCu, WHITE BRONZE PLATING  
 FERRULE: SEAMLESS COPPER TUBING, WHITE BRONZE PLATING  
 INSULATOR : PTFE

2. ELECTRICAL:

A. IMPEDANCE: 50 OHM  
 B. FREQUENCY RANGE: DC - 6 GHz  
 C. VSWR(RETURN LOSS): 1.25:1 MAX.  
 D. DIELECTRIC WITHSTANDING VOLTAGE: 500 VRMS, MIN.

3. MECHANICAL:

A. DURABILITY: 500 CYCLES MIN.  
 B. TEMPERATURE RANGE: -65° C TO 165° C  
 C. CRIMP FERRULE WITH .128" HEX

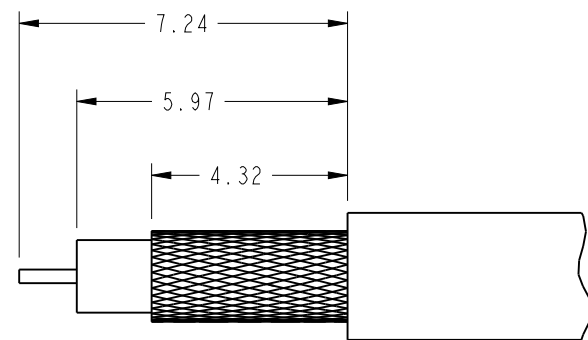
4. PACKAGING:

A. QUANTITY: 100 PIECE BULK PACK  
 B. MARKING: BAG TO BE MARKED  
 "AMPHENOL, 908-NM43300, DATE CODE, AND  
 "NON MAGNETIC CONNECTORS"

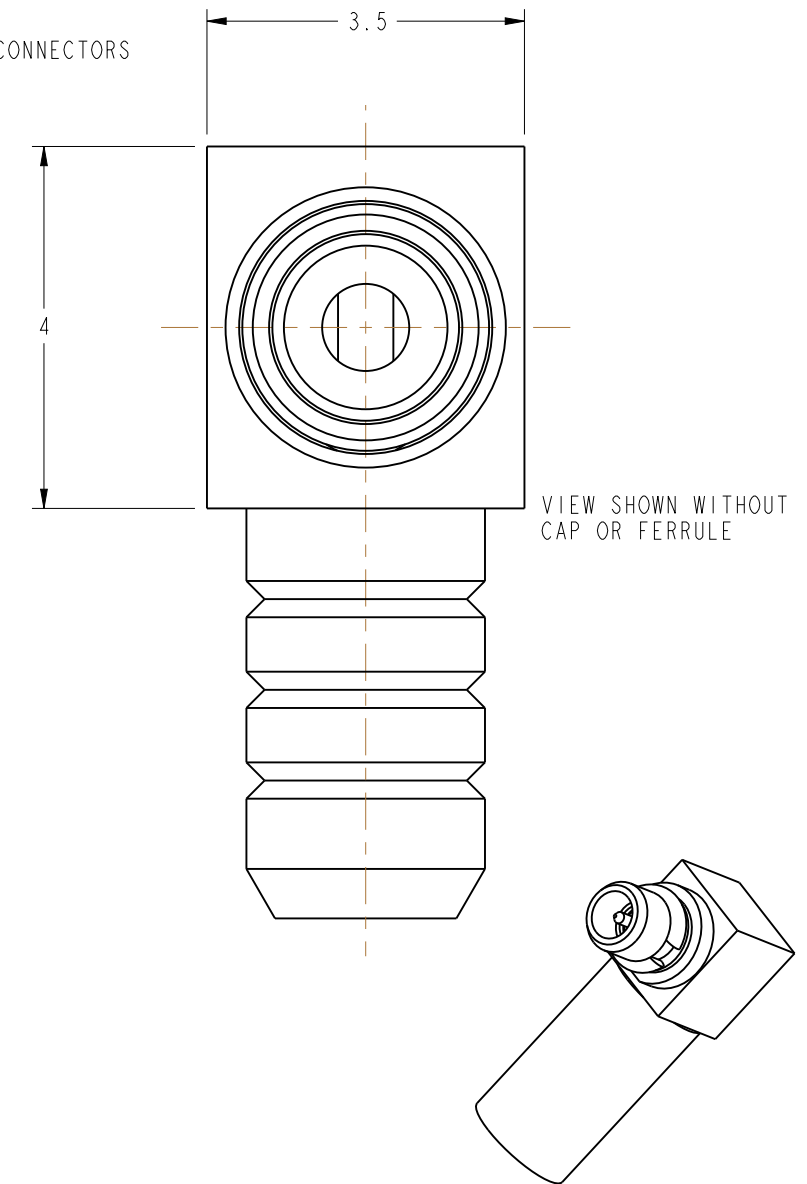
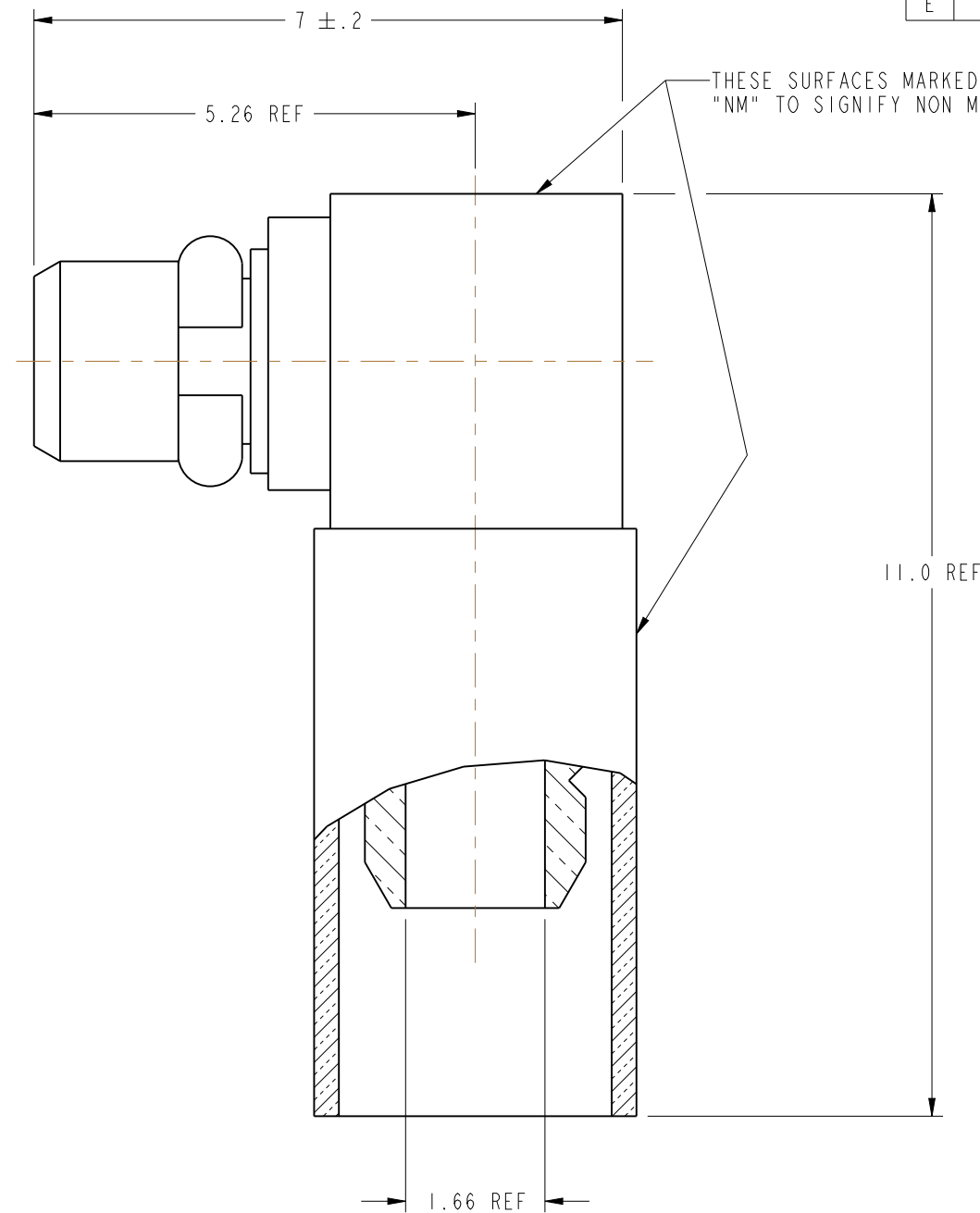
THIRD ANGLE PROJ.

REVISIONS

REV	DESCRIPTION	DATE	ECO	APPR
A	ADD TOL AND CONSISTANT LENGTHS TO MMCX ASSEMBLIES	9/20/10	46108	KJC
B	SEE SHEET 2.	10/24/06	48260	KJC
C	SEE SHEET 2	4/8/10	48017	RR
D	7 ±.2 WAS 7.01 REF	9/20/10	48260	CPM
E	SEE SHEET 1	4/14/11	48339	JTS



**RECOMMENDED CABLE STRIPPING DIMENSIONS**



SCALE 4.000

**CUSTOMER OUTLINE DRAWING**  
 ALL OTHER SHEETS ARE FOR INTERNAL USE ONLY

UNLESS OTHERWISE SPECIFIED, DIMENSIONS ARE IN METRIC AND TOLERANCES ARE: 0.5 - 6mm ±0.1mm    6 - 30mm ±0.2mm    30 - 120mm ± 0.3mm    ANGLES ±1°	MATERIAL	DRAWN K. CAPOZZI	DATE 18-Jul-06	TITLE ASSEMBLY MMCX R/A PLUG TO RG-316 NON MAGNETIC		Amphenol RF Danbury CT USA, Tainan, Taiwan, Shenzhen, China www.amphenolrf.com	
	REFERENCE EAR # 1952    AND    908-7007	ENGINEER K. CAPOZZI	DATE 18-Jul-06			DRAWING NO.	
NOTICE - These drawings, specifications, or other data (1) are, and remain the property of Amphenol corp. (2) must be returned upon request; and (3) are confidential and not to be disclosed to any person other than those to whom they are given by Amphenol Corp. the furnishing of these drawings, specifications, or other data by Amphenol Corp., or to any other person to anyone for any purpose is not to be regarded by implication or otherwise in any manner licensing, granting rights to permitting such holder or any other sperson to manufacture, use or sell any product, process or design, patented or otherwise, that may in any way be related to or disclosed by said drawings, specifications, or other data.	CONFIGURATION LEVEL:	APPROVED B. C. GLEISSNER	DATE 9/20/10	SCALE: 12.0:1.0	SHEET 2 OF 2	ITEM NO.	
	FINISH	CAD FILE	DWG SIZE B	CODE ID 74868	REV E	908-NM43300	