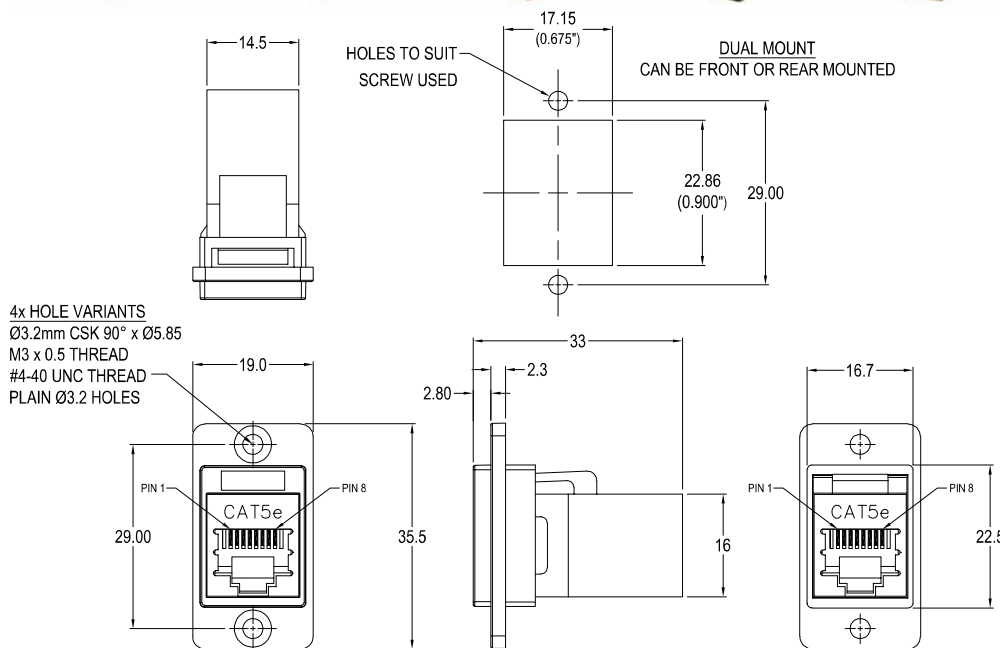


# CLIFF

## DUALSLIM CAT5e RJ45 SHIELDED METAL FRAME FEEDTHROUGH CONNECTOR

Can be front or rear mounted in the panel



### VARIANTS

Part No.

**CP30720SM**

DUALSLIM Cat5e RJ45 Shielded Nickel frame, CSK holes

**CP30720SMB**

DUALSLIM Cat5e RJ45 Shielded Black metal frame, CSK holes

**CP30720SM3**

DUALSLIM Cat5e RJ45 Shielded Nickel frame, M3 holes

**CP30720SMB3**

DUALSLIM Cat5e RJ45 Shielded Black metal frame, M3 holes

**CP30720SM440**

DUALSLIM Cat5e RJ45 Shielded Nickel frame, #4-40 holes

**CP30720SMB440**

DUALSLIM Cat5e RJ45 Shielded Black metal frame, #4-40 holes

**CP30720SMX1**

DUALSLIM Cat5e RJ45 Shielded Nickel frame, Ø3.2 PLAIN holes

**CP30720SMBX1**

DUALSLIM Cat5e RJ45 Shielded Black metal frame, Ø3.2 PLAIN holes

### Feedthrough Features

- Fits standard rectangular cutout.
- Front or rear mounting through the panel.
- Various hole mounting options.
- No soldering or punch termination. Use standard cable for each connector style.
- Low rear profile.

### General:

Please note: Functionality is affected by cable quality, length and cable wiring configuration.

### Material:

1. RJ45 In-Line Coupler: ABS UL94-V0 Fully Shielded
2. RJ45 In-Line Coupler Contact:  
Phosphor Bronze, 3-50 micro inches gold plating over nickel plate.
3. PCB: FR4
4. Frame: Diecast, Nickel or Black plated

### Performance:

1. T568A & T568B wiring.
2. Meet ISO/IEC 11801 and EN50173
3. Meet ANSI/TIA/EIA 568B.2
4. Rating 125VAC RMS 1.5A
5. Operating Temperatures: Min -10°C Max +70°C