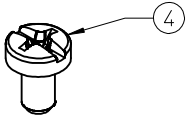
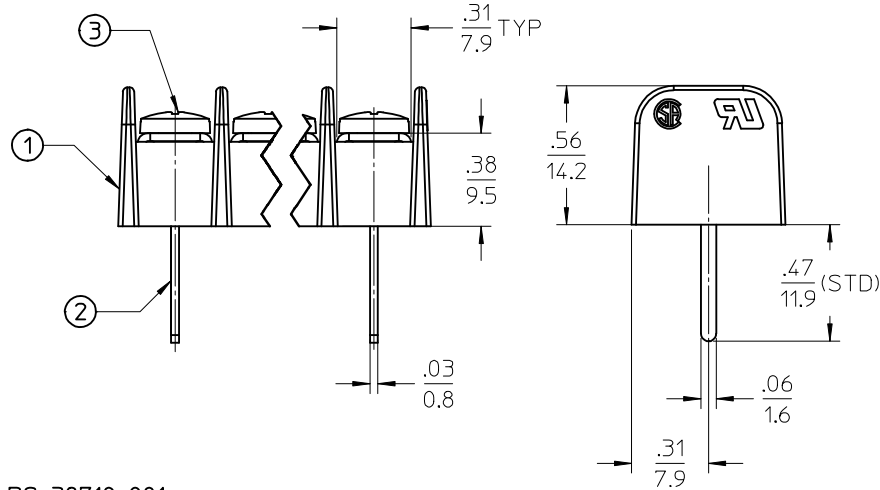
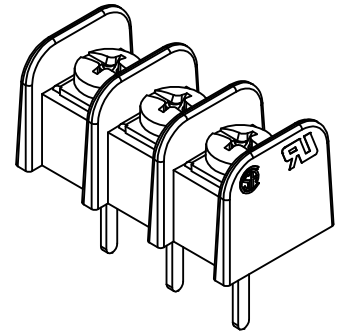
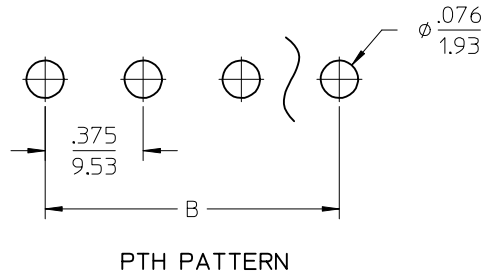
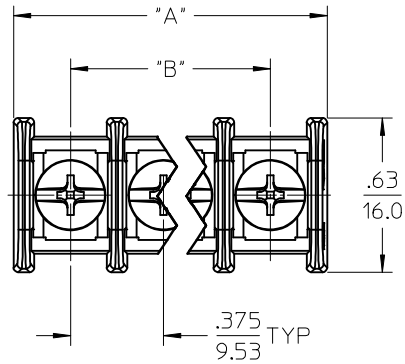
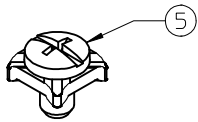


REF. -49 OPT. SCREW
(WHERE APPLICABLE)



REF. -50 OPT. SCREW
(WHERE APPLICABLE)



PART NUMBER LEGEND

71-7-XX-XX-X

SERIES

TERMINAL STYLE

CIRCUIT QTY (2 TO 26)

OPTION (-49 BRASS,PHIL/SLOT SCREW)
(-50 CLAMP WASHER,PHIL/SLOT SCREW)
(-C NO MOUNTING ENDS)

TERMINAL LENGTH

-55=.54

-75=.75

-81=.81


NOTES.

1. MATERIAL: SEE TABLE
2. FINISHES: SEE TABLE
3. PRODUCT SPECIFICATION: PS-38710-001
4. 'XX' REFERS TO NUMBER OF CIRCUITS.
5. ASSEMBLY IS RoHS COMPLIANT.

ITEM	QTY	DESCRIPTION	MATERIAL	FINISH
5	XX	#6-32 PH/SLOTTED SCREW W/WSHR (OPTION -50)	STEEL	ZINC
4	XX	#6-32 PH/SLOTTED SCREW (OPTION -49)	BRASS	NICKEL
3	XX	#6-32 PH/SLOTTED SCREW (STANDARD)	STEEL	ZINC
2	XX	TERMINAL, WW SN-KT	BRASS	TIN
1	1	INSULATOR	POLYESTER (PBT)	BLACK

RELEASED EC NO: ICG2016-0008 DRAWN: SVMURTHY 2015/06/30 CHKDR: RSTONE 2015/06/30 APPR: JFMURPHY 2016/07/11	QUALITY SYMBOLS ∇=0 ∇=0 ∇=0	GENERAL TOLERANCES (UNLESS SPECIFIED)		DIMENSION STYLE INCH ONLY		SCALE 2:1	DESIGN UNITS INCH	THIRD ANGLE PROJECTION		
		mm	INCH	DRAWN BY	DATE	TITLE 9.53MM [.375"] SR BTS WIRE WRAP NO MTG molex DOCUMENT NO. SD-38710-0306 SHEET NO. 1 OF 2				
		4 PLACES ± --- ± ---	3 PLACES ± --- ± .005	SVMURTHY	2015/06/30					
		2 PLACES ± 0.13 ± .01	1 PLACE ± 0.3 ± ---	RSTONE	2015/06/30					
0 PLACE ± --- ± ---		JFMURPHY	2016/07/11							
ANGULAR ± 2 °		MATERIAL NO.		SEE SHEET 2						
DRAFT WHERE APPLICABLE MUST REMAIN WITHIN DIMENSIONS				SIZE B		THIS DRAWING CONTAINS INFORMATION THAT IS PROPRIETARY TO MOLEX INCORPORATED AND SHOULD NOT BE USED WITHOUT WRITTEN PERMISSION				

# OF CIRCUITS "XX"	DIM. "A"		DIM. "B"	
	in	mm	in	mm
02	.83	21	.375	9.53
03	1.21	31	.750	19.05
04	1.58	40	1.125	28.58
05	1.96	50	1.500	38.10
06	2.33	59	1.875	47.63
07	2.71	69	2.250	57.15
08	3.08	78	2.625	66.68
09	3.46	88	3.000	76.20
10	3.83	97	3.375	85.73
11	4.21	107	3.750	95.25
12	4.58	116	4.125	104.78
13	4.96	126	4.500	114.30
14	5.33	135	4.875	123.83
15	5.71	145	5.250	133.35
16	6.08	154	5.625	142.88
17	6.46	164	6.000	152.40
18	6.83	173	6.375	161.93
19	7.21	183	6.750	171.45
20	7.58	193	7.125	180.98
21	7.96	202	7.500	190.50
22	8.33	212	7.875	200.03
23	8.71	221	8.250	209.55
24	9.08	231	8.625	219.08
25	9.46	240	9.000	228.60
26	9.83	250	9.375	238.13

RELEASED EC NO: IPG2016-0008 DRAWN: SVMURTHY 2015/06/30 CHKD: RSTONE 2015/06/30 APPR: JFMURPHY 2016/07/11	DESCRIPTION REV A	QUALITY SYMBOLS	GENERAL TOLERANCES (UNLESS SPECIFIED)	DIMENSION STYLE INCH ONLY	SCALE 2:1	DESIGN UNITS INCH	THIRD ANGLE PROJECTION
		$\nabla F/0$ $\nabla F/0$ $\nabla F/0$	mm INCH 4 PLACES ± --- ± --- 3 PLACES ± --- ± .005 2 PLACES ± 0.13 ± .01 1 PLACE ± 0.3 ± --- 0 PLACE ± --- ± ---	DRAWN BY DATE SVMURTHY 2015/06/30 CHECKED BY DATE RSTONE 2015/06/30 APPROVED BY DATE JFMURPHY 2016/07/11	TITLE	9.53MM [.375"] SR BTS WIRE WRAP NO MTG	
		ANGULAR ± 2 °	MATERIAL NO. 387100306	DOCUMENT NO. SD-38710-0306			
		DRAFT WHERE APPLICABLE MUST REMAIN WITHIN DIMENSIONS	SIZE B	THIS DRAWING CONTAINS INFORMATION THAT IS PROPRIETARY TO MOLEX INCORPORATED AND SHOULD NOT BE USED WITHOUT WRITTEN PERMISSION		SHEET NO. 2 OF 2	