

MATERIALS AND FINISHES

BODY, CONTACT SLEEVE STAINLESS STEEL
PLATED GOLD

FLANGE BODY STAINLESS STEEL
PASSIVATE

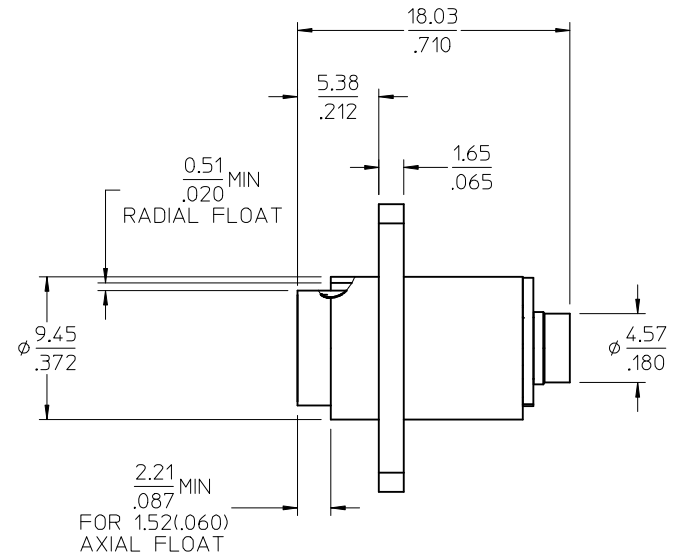
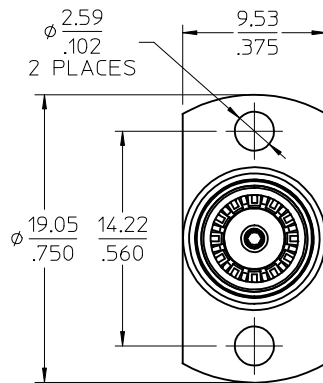
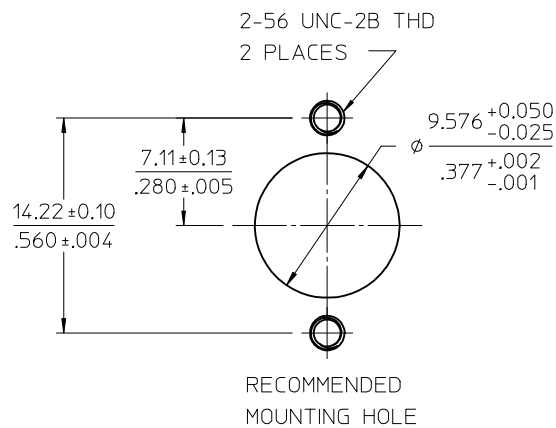
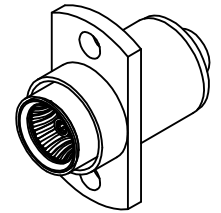
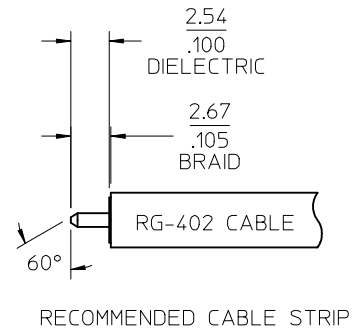
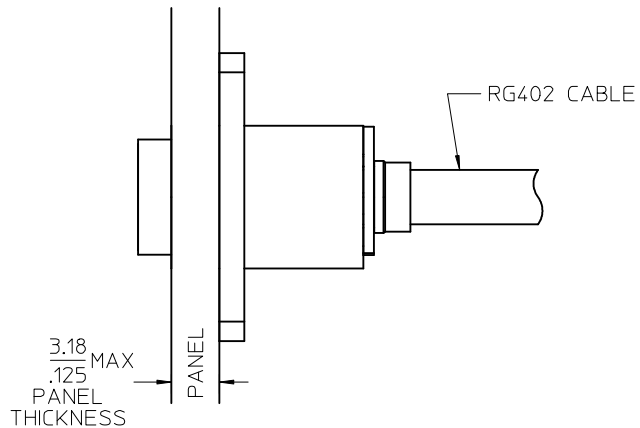
RETAINING CLIP CARBON STEEL
PLATED NICKEL

WASHER BRASS
PLATED NICKEL

SPRING STEEL
PLATED NICKEL

CENTER CONTACT, SPRINGS BERYLLIUM COPPER
PLATED GOLD

INSULATOR TEFLON



73298-0011	-0010, ONE PER BAG
73298-0010	TRAY
PART NO	PACKAGING

PS-89675-1860	ELEC/MECH PERFORMANCE
MIL-STD-348A, FIG. 321.2	INTERFACE
SPECIFICATION	DESCRIPTION

CHG: UPDATED VIEWS PER RF15-E307	EC NO: URF2016-0160	2015/09/01
DRW:RYEH	CHKD:	2015/09/01
APPR:YCHENG	DESCRIPTION	
REV		

QUALITY SYMBOLS	GENERAL TOLERANCES (UNLESS SPECIFIED)
▽=0	mm INCH
▽=0	4 PLACES ± --- ± ---
▽=0	3 PLACES ± --- ± ---
	2 PLACES ± --- ± ---
	1 PLACE ± --- ± ---
	0 PLACE ± ±
	ANGULAR ± 2 °
	DRAFT WHERE APPLICABLE MUST REMAIN WITHIN DIMENSIONS

DIMENSION STYLE	SCALE	DESIGN UNITS	THIRD ANGLE PROJECTION
MM/IN	4:1	METRIC	
DRAWN BY	DATE	TITLE	
TEF	2003/05/03	BMA JACK,2H FLANGE,FLOAT	
CHECKED BY	DATE	MT FOR RG402, 50 OHMS	
SSS	2003/05/03	EWR-2215, BMA-JC/F	
APPROVED BY	DATE		
GMH	2003/05/03		
MATERIAL NO.	DOCUMENT NO.		
SEE TABLE	SD-73298-001		
SIZE			
C			

SHEET NO.	1 OF 1
THIS DRAWING CONTAINS INFORMATION THAT IS PROPRIETARY TO MOLEX INCORPORATED AND SHOULD NOT BE USED WITHOUT WRITTEN PERMISSION	