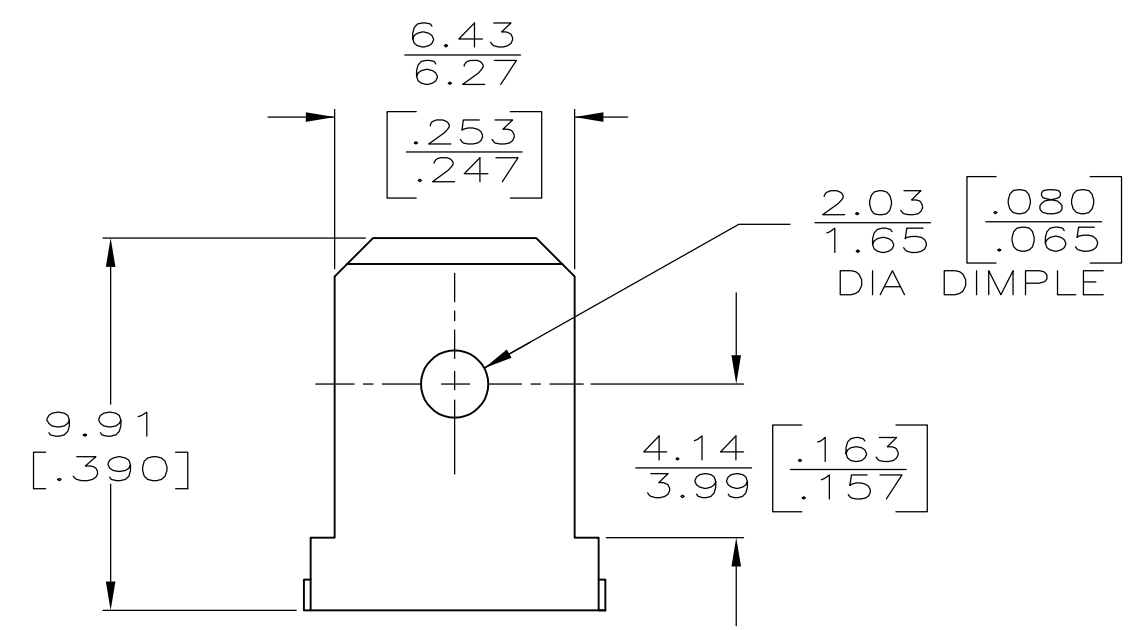
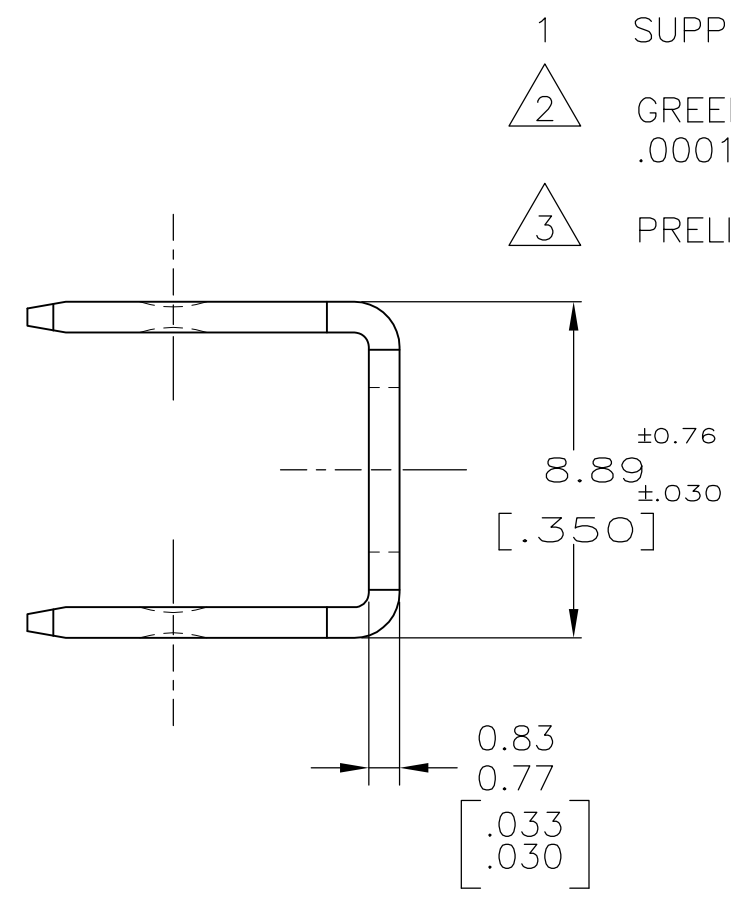
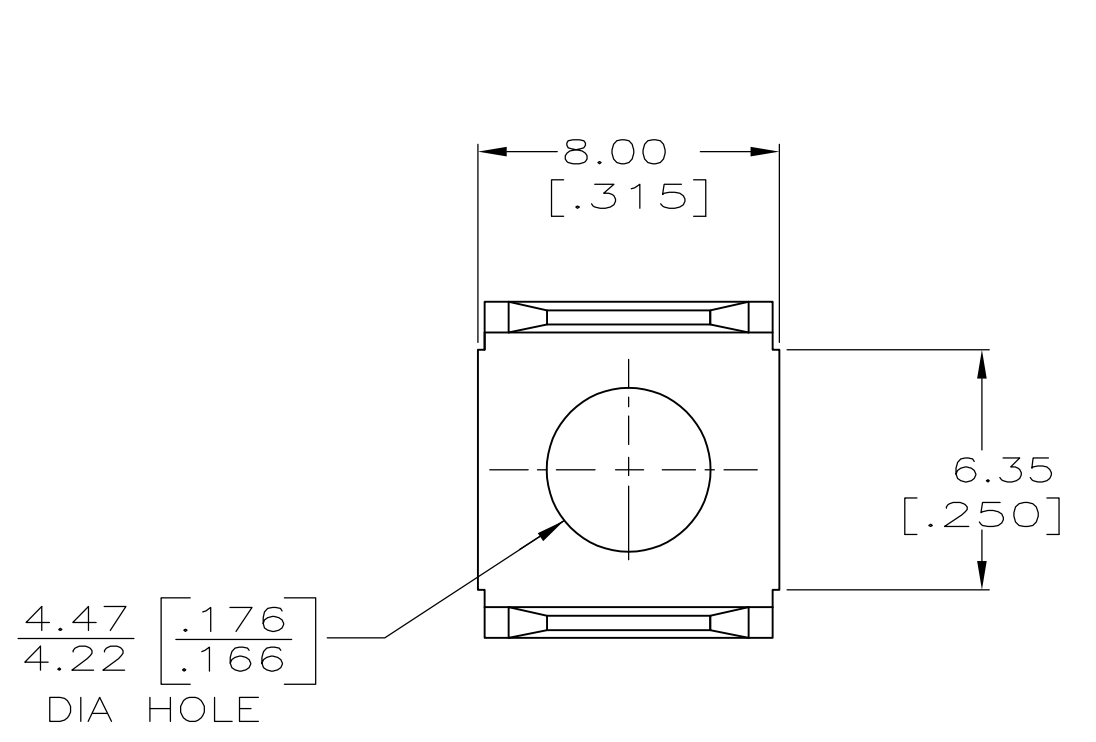


THIS DRAWING IS UNPUBLISHED. RELEASED FOR PUBLICATION  
 © COPYRIGHT - By - ALL RIGHTS RESERVED.

LOC	DIST	REVISIONS			
P	LTR	DESCRIPTION	DATE	DWN	APVD
AF	50				
		REVISD PER ECR-13-011489	07DEC2013	KH	PD



- 1 SUPPLIED IN LOOSE PIECE.
- 2 GREEN DYE OVER ZINC  
.000100 MIN PLATING.
- 3 PRELIMINARY - NOT FOR PRODUCTION.

2	3	41619-3
-		41619
FINISH		PART NO

THIS DRAWING IS A CONTROLLED DOCUMENT.		DWN	JR RUTH	12/2/91	<b>STE</b> TE Connectivity		
DIMENSIONS: mm [INCHES]		CHK	MS FEHER	12/2/91			
TOLERANCES UNLESS OTHERWISE SPECIFIED:		APVD	MEYERS	12/2/91	NAME		
0 PLC ± -		PRODUCT SPEC		TAB, FASTON, 6.35 [.250] SERIES			
1 PLC ± -		APPLICATION SPEC		SIZE			
2 PLC ± -		MATERIAL		CAGE CODE			
3 PLC ± 0.38 [.015]		FINISH		DRAWING NO			
4 PLC ± -		SEE TABLE		RESTRICTED TO			
ANGLES ± -		MATERIAL		WEIGHT			
BRASS		CUSTOMER DRAWING		A3 00779 C-41619			
		SCALE		SHEET			
		5:1		1 OF 1			
		REV		AH			