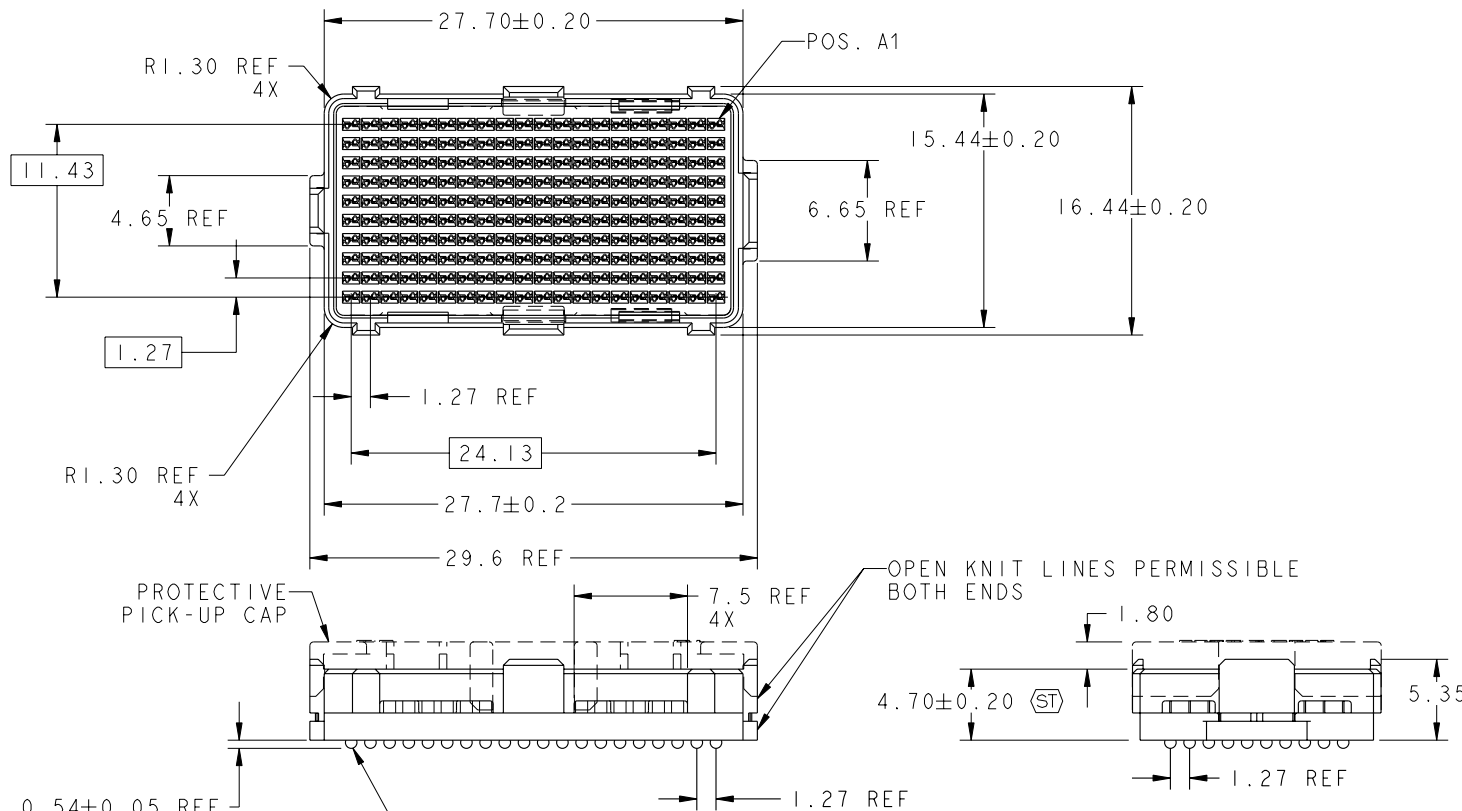


PRODUCT NO.	PICK-UP CAP	CONTACT PLATING	SOLDER BALL
10014760-001	YES	15u" (.38um)Au OVER Ni	SnPb
10014760-001LF			SnAgCu LEAD FREE ⑥⑦
10014760-101	YES	30u" (.76um)Au OVER Ni	SnPb
10014760-101LF			SnAgCu LEAD FREE ⑥⑦
10014760-201	YES	SEE NOTE 2	SnPb
10014760-201LF			SnAgCu LEAD FREE ⑥⑦



mat'l code				SEE NOTE 1		tolerances unless otherwise specified		CUSTOMER		FCI		
ltr	ecn no.	dr	date	linear	0.X ± 0.3	projection	COPY		www.fciconnect.com			
A	V21490	DAI	09-30-02	0.XX ± 0.10	MM	title		6mm RECEPTACLE ASSY				
B	V03-0682	DAI	06/20/03	0.XXX ± 0.050	scale	product family		MEG-ARRAY				
C	V04-0940	VS	11/05/04	0° ± 2°	2:1	size		dwg no				
D	V06-0560	LP	2006/07/14	dr	D. INGRAM	9-30-02	code		213			
				enrg	D. WHITING	9-30-02	size		dwg no			
				chr	D. WHITING	9-30-02	sheet		1 of 4			
				appd	D. WHITING	9-30-02	sheet		1 of 4			
sheet index		revision sheet		D	D	D	D	cage code		22526		
				1	2	3	4			4		

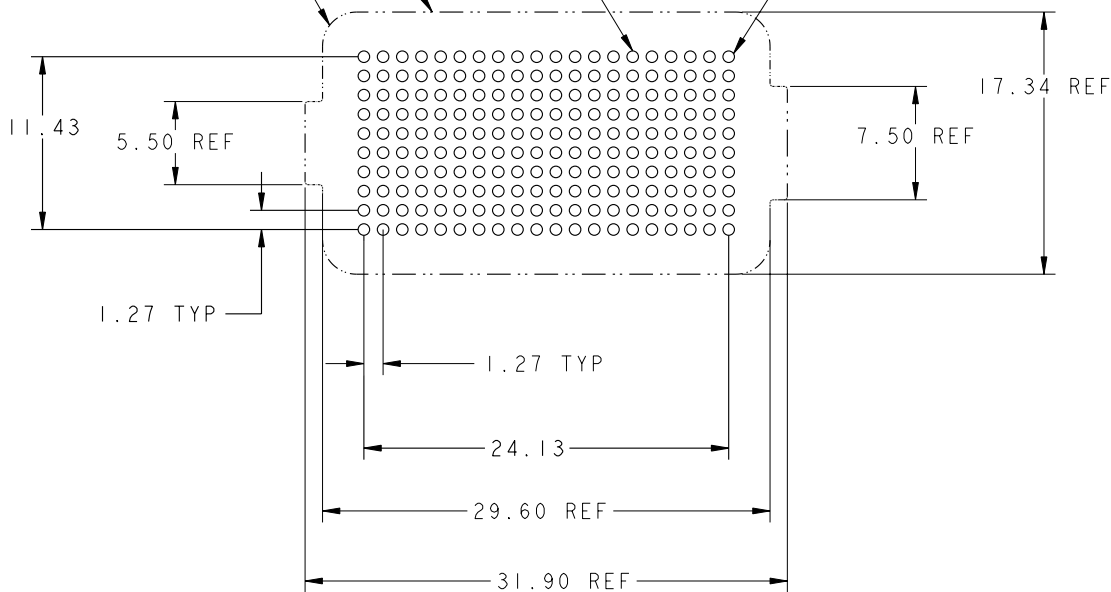
This document is the property of and embodies CONFIDENTIAL and PROPRIETARY information of FCI. No part of the information shown on this document may be used in any way or disclosed to others without the written consent of FCI. Copyright FCI.

STENCIL MATED CONNECTOR OUTLINE ONTO BOARD

Ø0.64 PAD SIZE


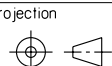
R2.25 REF 4X

POS. A1



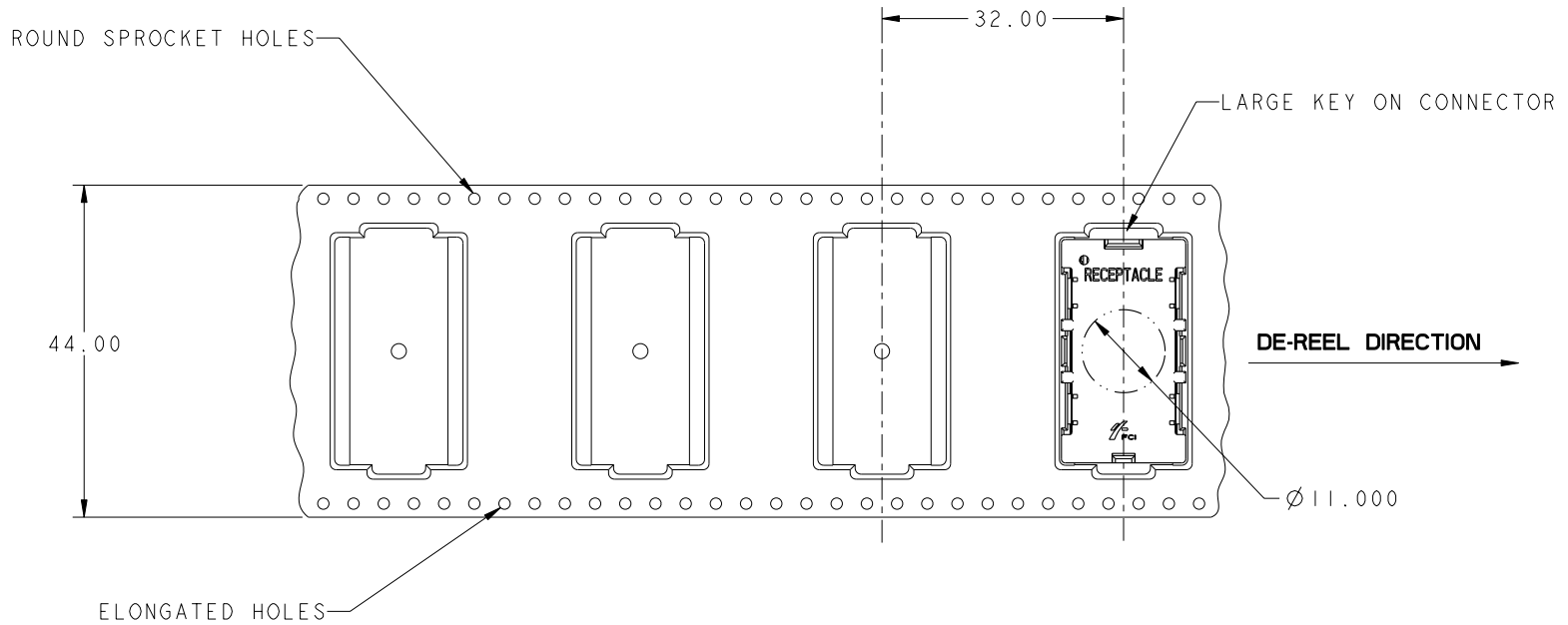
BOARD PATTERN

This document is the property of and embodies CONFIDENTIAL and PROPRIETARY information of FCI. No part of the information shown on this document may be used in any way or disclosed to others without the written consent of FCI. Copyright FCI.

mat'l code				SEE NOTE 1		tolerances unless otherwise specified		CUSTOMER		 www.fciconnect.com	
ltr	ecn no.	dr	date	linear	0.X ±0.3		COPY			title	
D					0.XX ±0.10		MM			6mm RECEPTACLE ASSY	
					0.XXX ±0.050		2:1			10x20= 200 POSITION	
				angles	0° ±2°		scale		product family		
				dr	D. INGRAM	9-30-02	A		MEG-ARRAY		
				engr	D. WHITING	9-30-02	A		code		
				chr	D. WHITING	9-30-02	A		size		
				appd	D. WHITING	9-30-02	A		dwg no		
sheet index		revision sheet								10014760	
										213	
										sheet 2	



This document is the property of and embodies CONFIDENTIAL and PROPRIETARY information of FCI. No part of the information shown on this document may be used in any way or disclosed to others without the written consent of FCI. Copyright FCI.



TAPE & REEL PACKAGING
PER EIA 481-3

mat'l code		SEE NOTE 1		tolerances unless otherwise specified		CUSTOMER		FCI		www.fciconnect.com		
ltr	ecr no.	dr	date	linear	0.X ±0.3	projection	COPY		title 6mm RECEPTACLE ASSY			
D					0.XX ±0.10				10x20= 200 POSITION			
				angles	0.XXX ±0.050				product family MEG-ARRAY		code	213
				dr	D. INGRAM 9-30-02	MM		size	dwg no		sheet	3
				engr	D. WHITING 9-30-02	← MM →		A	10014760			
				chr	D. WHITING 9-30-02	scale						
				appd	D. WHITING 9-30-02	1:1						
sheet index	revision sheet											

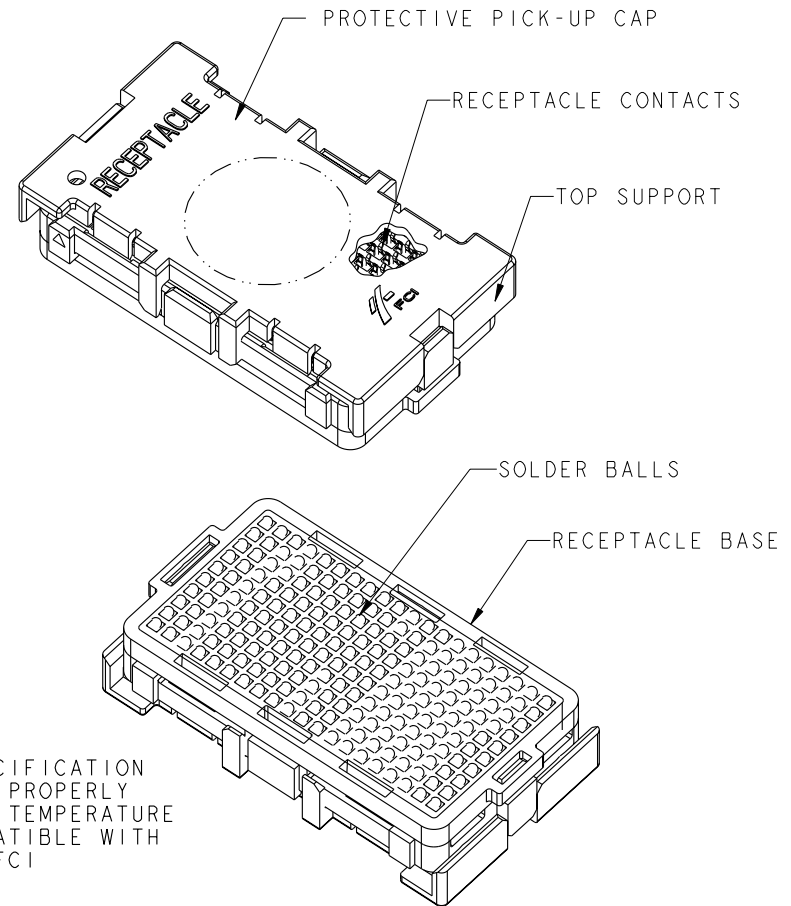
cage code 22526

Pro/E

NOTES:

- ①. MATERIAL:
HOUSING: LCP
CONTACT: COPPER ALLOY

PLATING CONTACT: SEE TABLE ON SHEET I
SOLDER BALL: SEE TABLE ON SHEET I
EUTECTIC SnPb OR LEAD FREE
95.5Sn/4Ag/0.5Cu
- ②. PLATING FOR -2XX SERIES DASH NOS:
Au OVER Ni WITH SPECIAL CONTACT
GEOMETRY TO MEET REQUIREMENTS
OF TELCORDIA GR-1217-CORE:
CENTRAL OFFICE ENVIRONMENT.
- ③. SOLDER BALLS WILL NOT BE PERFECT SPHERICAL SHAPE
DUE TO REFLOW ATTACHMENT.
- 4. OVERALL BOARD-TO-BOARD STACK
HEIGHT WHEN MATED TO:
200 POSITION 0.0mm PLUG (84516) IS 6.0 REF.
200 POSITION 6.0mm PLUG (84530) IS 12.0 REF.
- 5. SEE SK-47284 FOR MATING RESTRICTIONS
WITH EARLIER DESIGN VERSIONS.
- ⑥. FOR PROPER APPLICATION FOLLOW FCI APPLICATION SPECIFICATION
GS-20-033. LEAD FREE SOLDER BALLS WILL NOT SOLDER PROPERLY
IN A LEADED SOLDER PROSESS DUE TO A HIGHER REFLOW TEMPERATURE
LEAD FREE PRODUCT IS THEREFORE NOT BACKWARDS COMPATIBLE WITH
LEADED OR SOME SOLDERING APPLICATIONS. REFERENCE FCI
APPLICATION SPECIFICATION
- ⑦. THIS PRODUCT MEETS EUROPEAN UNION DIRECTIVE AND OTHER
COUNTRY REGULATIONS AS DESCRIBED IN GS-22-008. PRODUCT
MEETING THIS DIRECTIVE IS IDENTIFIED IN THE LOT CODE
NUMBER MARKED ON EACH PART BY HAVING AN "X" IN THE SEVENTH
CHARACTER POSITION



mat'l code				SEE NOTE 1		tolerances unless otherwise specified		CUSTOMER		FCI www.fciconnect.com	
ltr	ecn no.	dr	date	linear	0.X ±0.3	projection	COPY	title			
D					0.XX ±0.10			6.0mm RECPT. ASSY			
				angles	0.XXX ±0.050			10X20= 200 POS.			
				dr	D. INGRAM 9-30-02	MM		product family	MEG-Array	code	213
				engr	D. WHITING 9-30-02	← MM →		size	dwg no	sheet	4
				chr	D. WHITING 9-30-02	scale	1:1	A	10014760		
				appd	D. WHITING 9-30-02						
sheet index	revision sheet										

This document is the property of and embodies
 CONFIDENTIAL and PROPRIETARY information of FCI.
 No part of the information shown on this
 document may be used in any way or disclosed
 to others without the written consent of FCI.
 Copyright FCI.