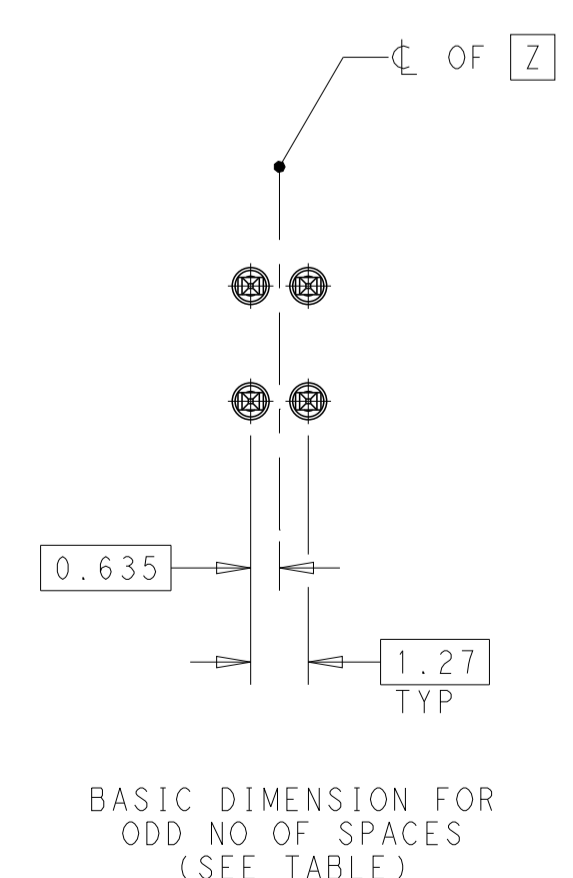
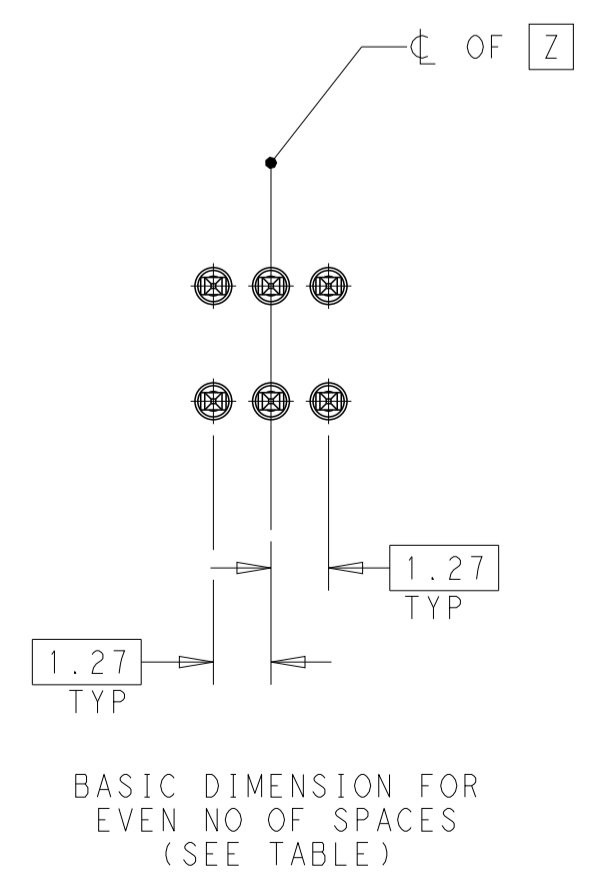
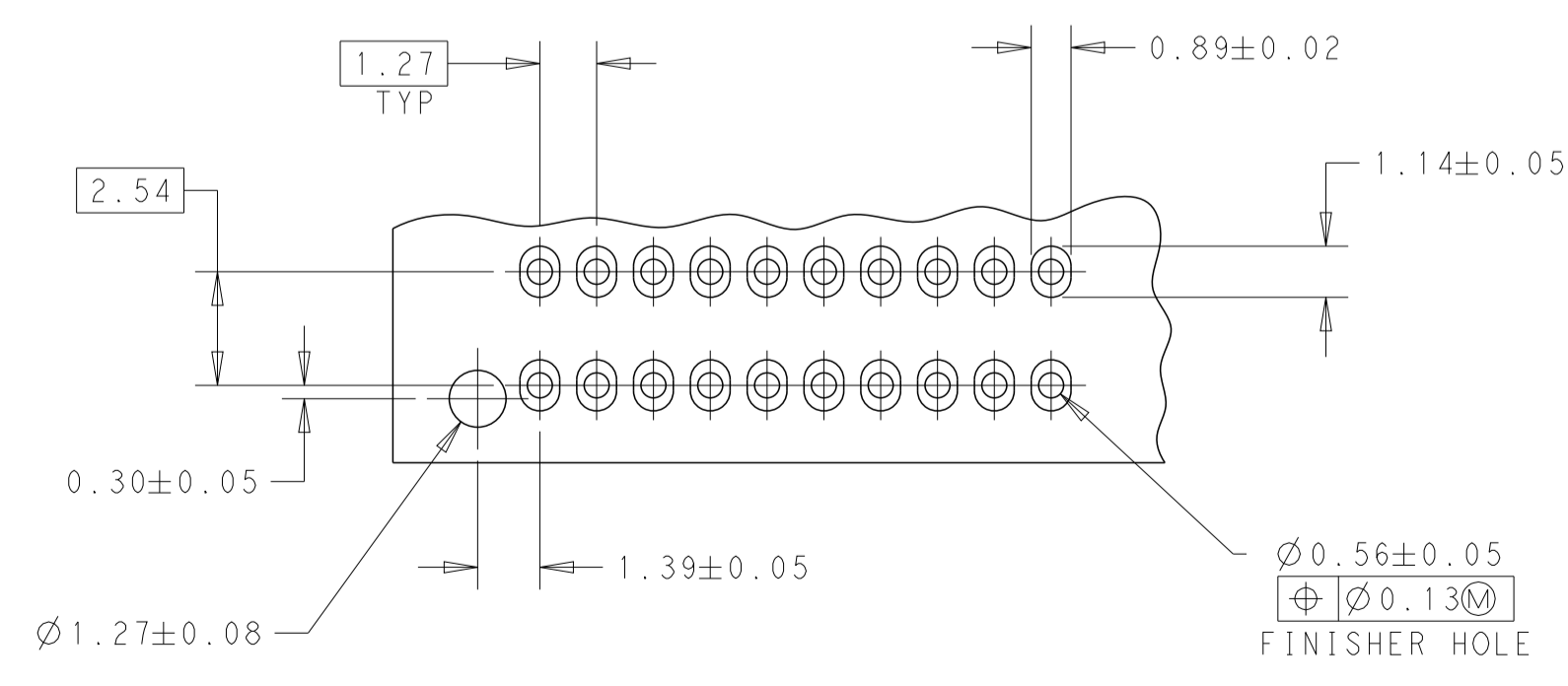
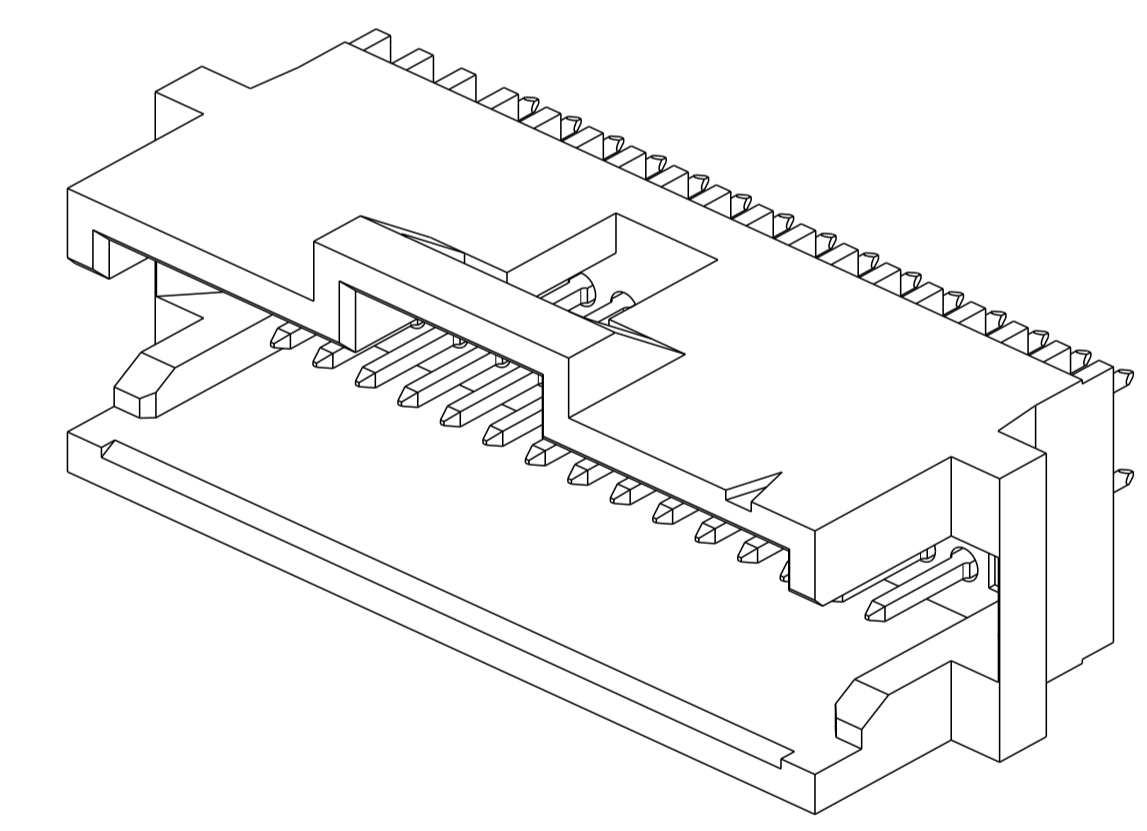
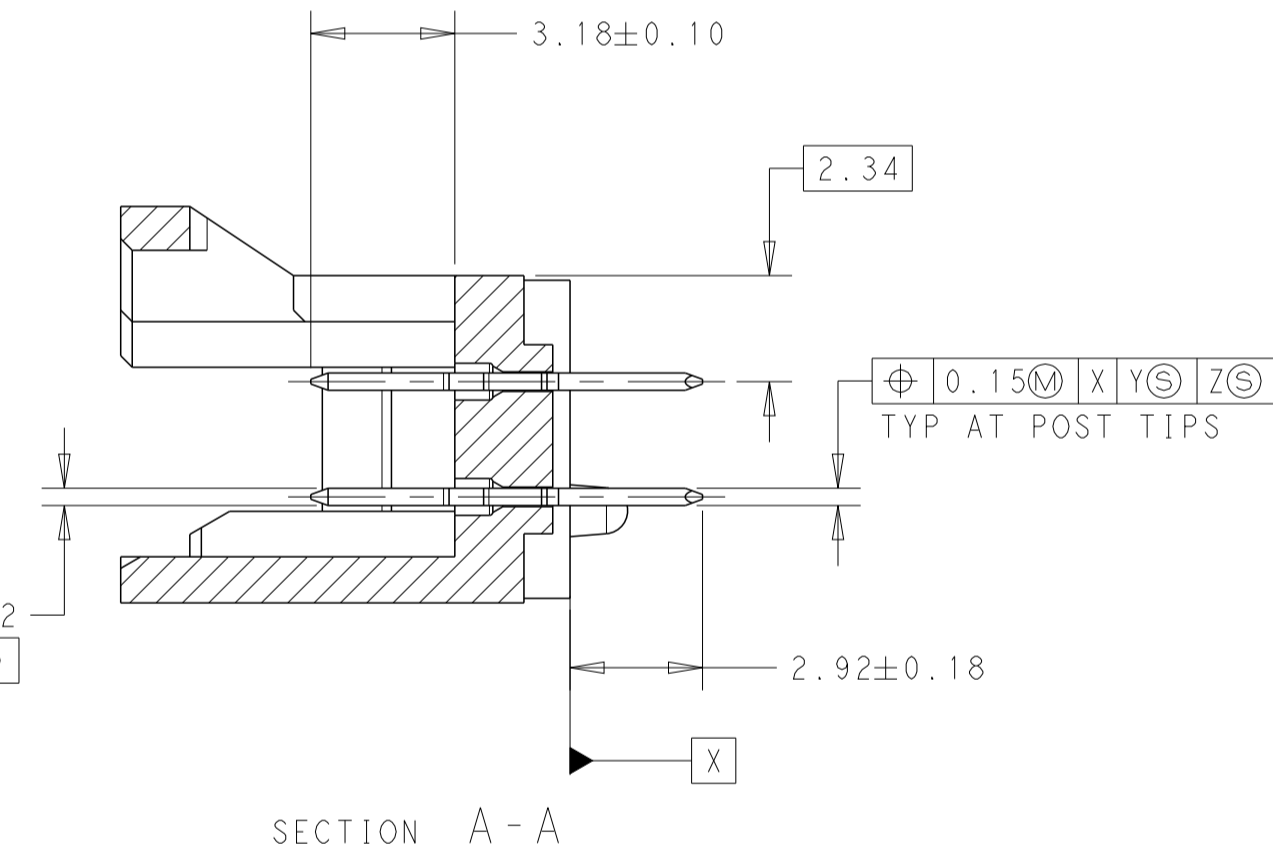
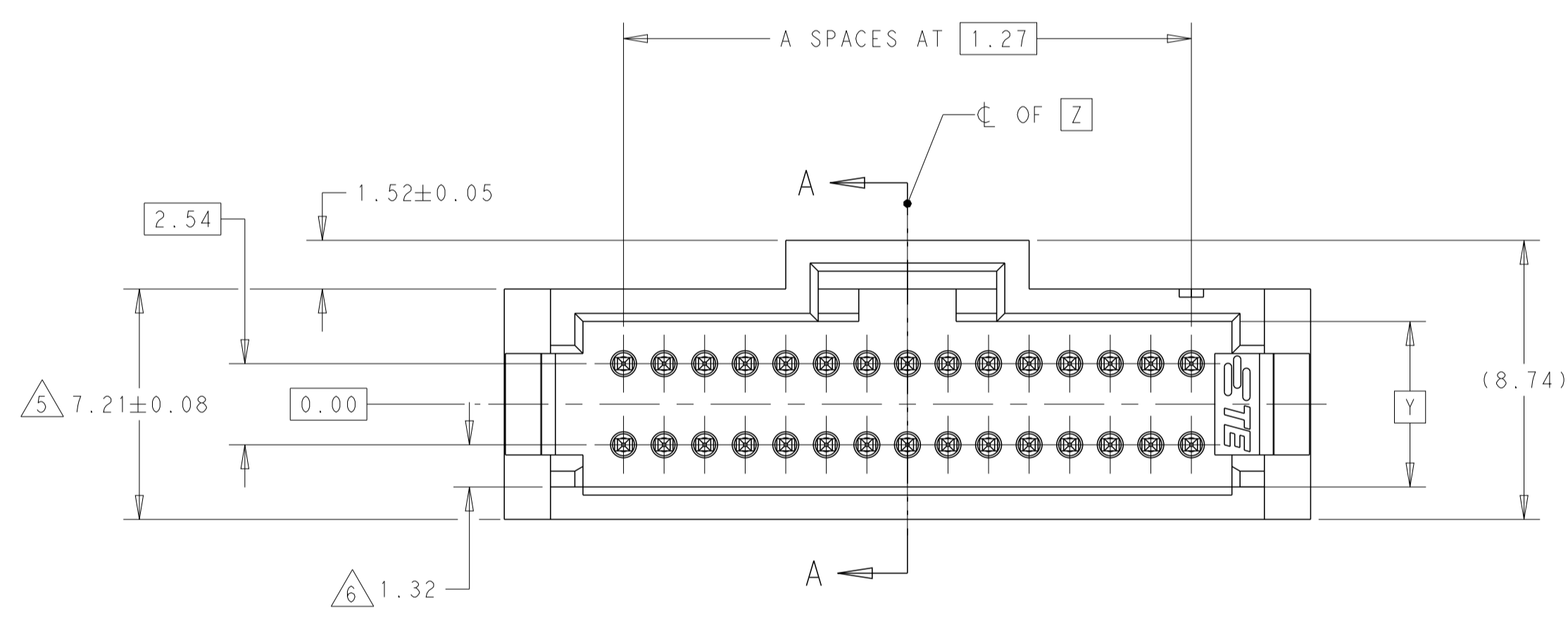
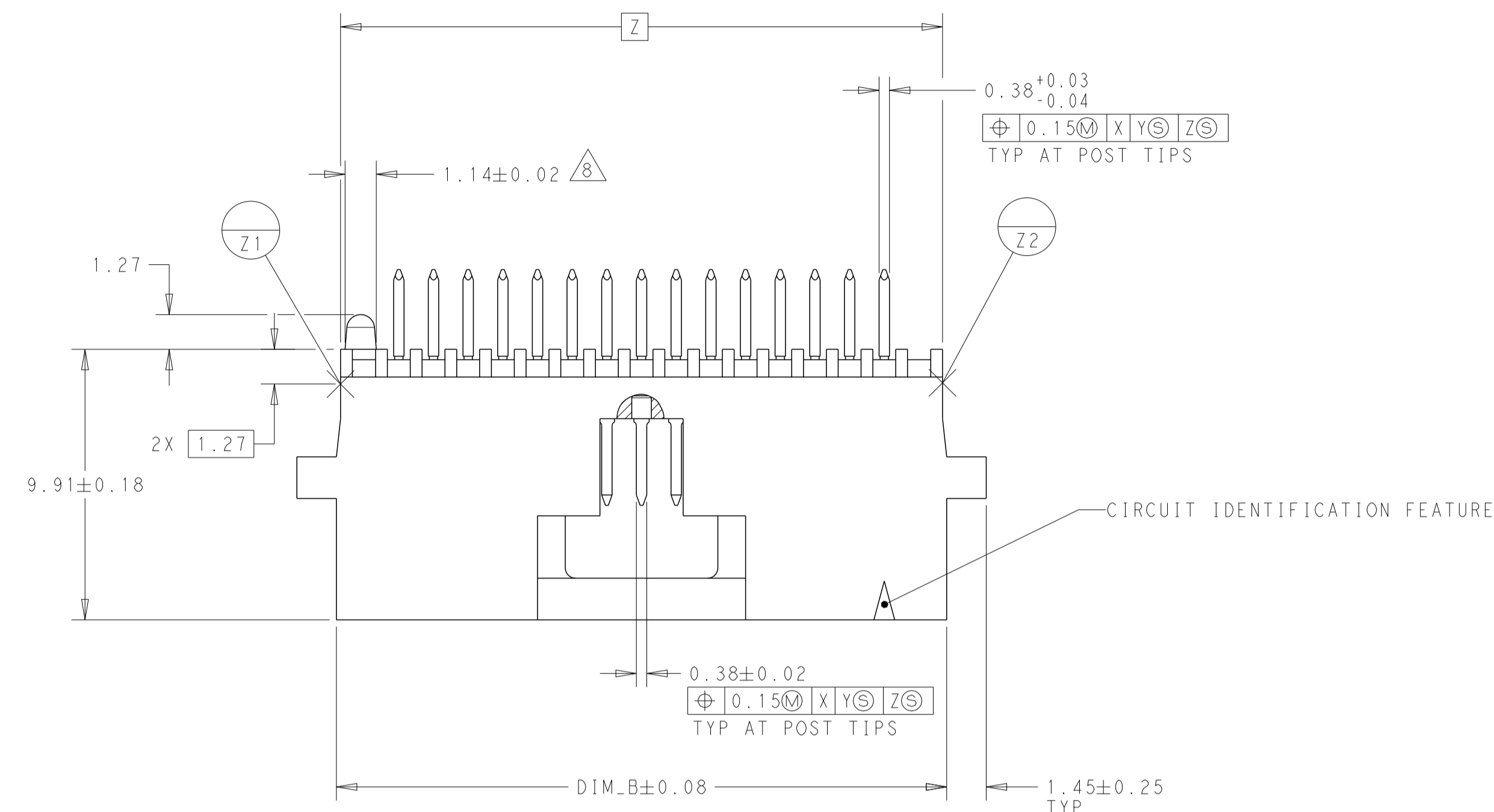


REVISIONS				
P	LTN	DESCRIPTION	DATE	APP'D
D		REDRAWN/REVISED PER ECO-17-001755	21NOV2017	KS JO



- 1 HOUSING:FLAME RETARDANT THERMOPLASTIC, COLOR-BLACK
- 2 CONTACT:COPPER ALLOY
- 3 CONTACT AREAS PLATED WITH 0.76µM MIN GOLD;SOLDER TAILS PLATED WITH 3.81µM MIN TIN-LEAD,ALL OVER 1.27µM MIN NICKEL
- 4. NOTE DELETED.
- 5 DIMENSION APPLIES AT BASE OF SHROUD
- 6 THE NOTED DIMENSIONS APPLY AT THE INTERSECTION OF THE POST AND HOUSING
- 7. NOTE DELETED.
- 8 DIMENSION FOR DIAMETER OF PEG APPLIES AT THE INTERSECTION OF THE TOP OF RIBS AND BASE OF PAG.
- 9 CONTACT AREAS PLATED WITH 0.76µM MIN GOLD; SOLDER TAILS PLATED WITH 3.81µM MIN TIN,ALL OVER 1.27µM MIN NICKEL.
- 10. NOTE DELETED.
- 11 FINISH: 0.03µM MIN GOLD ON GOLD PLATED AREA, 3.81µM MATTE TIN LEAD ON TIN PLATE AREA. UNDER PLATING SHOULD BE 1.27µM NICKEL ON ENTIRE CONTACT, GOLD AND TIN PLATING MAY NOT OVERLAP.
- 12 FINISH: 0.03µM MIN GOLD ON GOLD PLATED AREA, 3.81µM MATTE TIN ON TIN PLATE AREA. UNDER PLATING SHOULD BE 1.27µM NICKEL ON ENTIRE CONTACT, GOLD AND TIN PLATING MAY NOT OVERLAP.
- 13.NOTE DELETED.
- 14.NOTE DELETED.

12	22.35	14	30	5-1571697-1
9	22.35	14	30	5-1571697-1
11	22.35	14	30	2-1571697-1
3	22.35	14	30	1571697-1
FINISH	DIM_B	A SPACES	NO OF POSN	PART NUMBER

THIS DRAWING IS A CONTROLLED DOCUMENT. DWG: R. SHRISHAILI 21NOV2017
 CHK: J. OLSON 21NOV2017
 APVD: J. OLSON 21NOV2017

STE TE Connectivity

NAME: HEADER ASSY, VERTICAL, SHROUDED DUAL ROW, W/SIDE AND END LATCHES

PRODUCT SPEC: -
 APPLICATION SPEC: -
 SIZE: - CAGE CODE: - DRAWING NO: A100779C=1571697
 WEIGHT: -
 MATERIAL: -
 FINISH: -
 CUSTOMER DRAWING

SCALE: 6:1 SHEET 1 OF 1 REV D