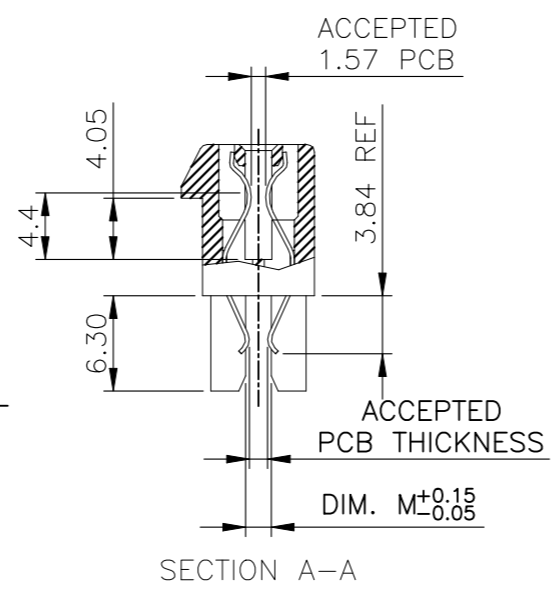
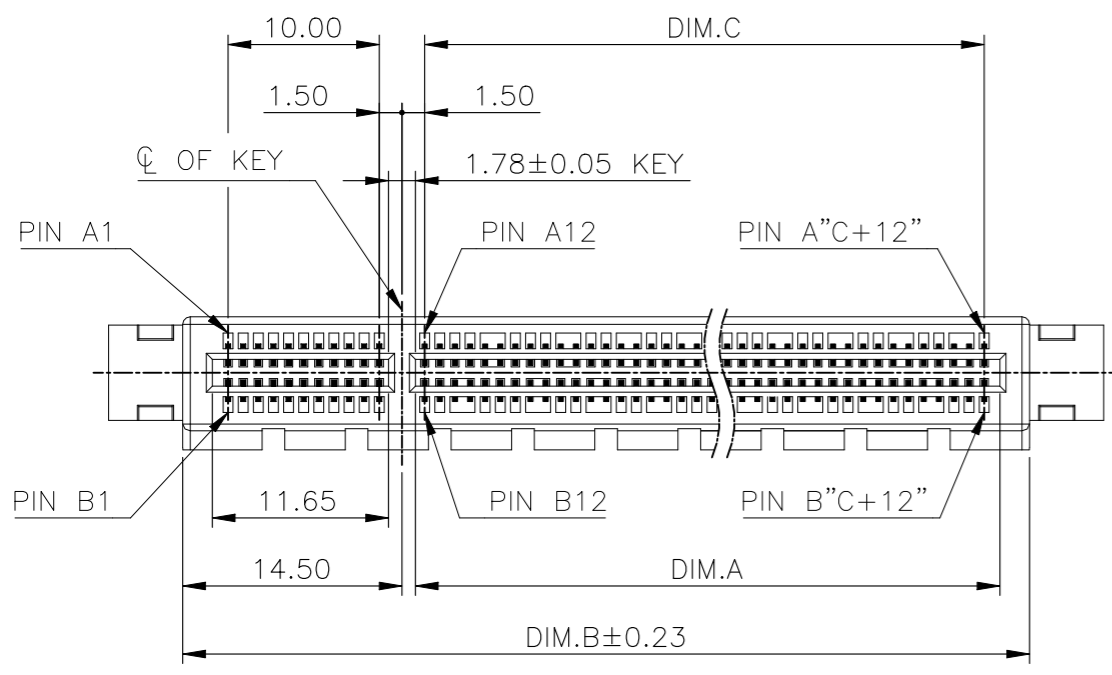


© - TE Connectivity. All Rights Reserved.

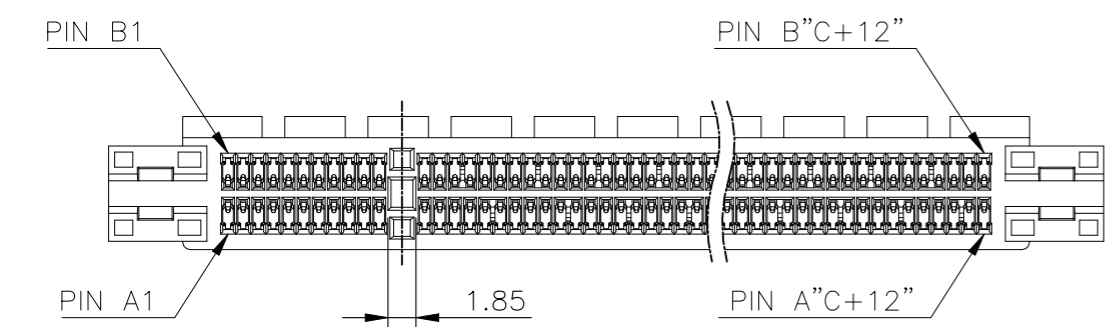
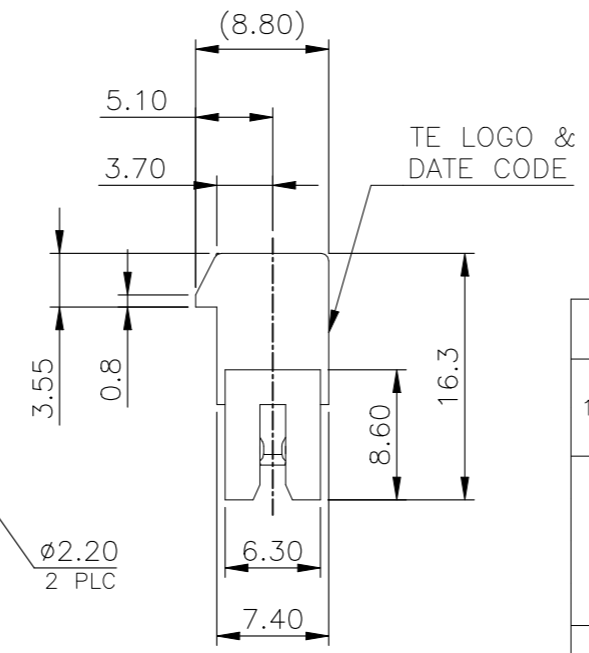
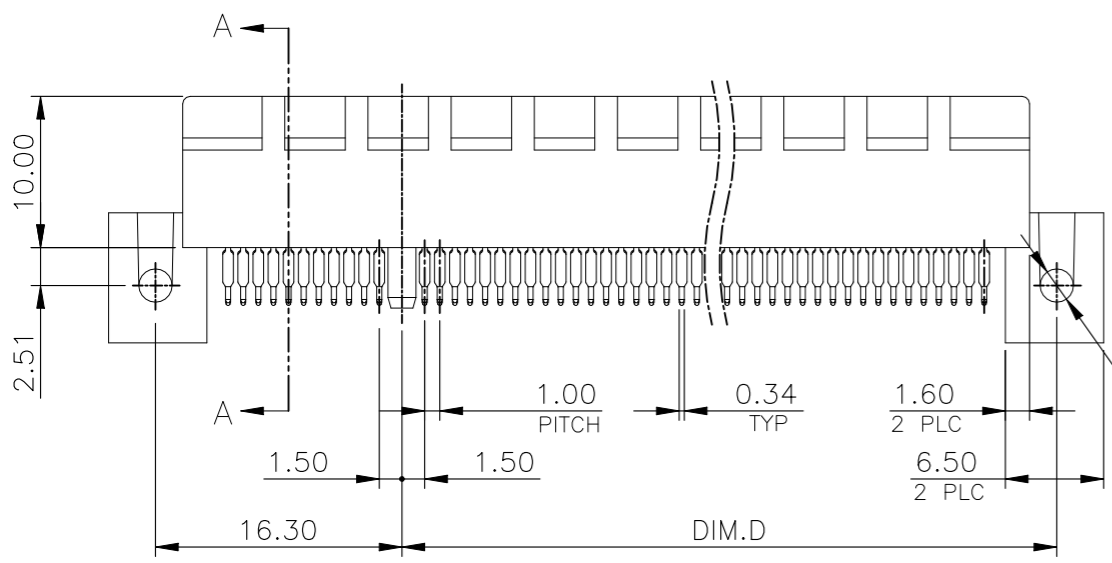
REVISIONS

P	LTR	DESCRIPTION	DATE	DWN	APVD
	A	INITIAL RELEASE	18JAN2021	TL	HL



NOTES:

- MATERIAL:
  - HOUSING: PA9T WITH 45% G.F, HALOGEN FREE, UL94V-0, COLOR: BLACK
  - CAP: LCP WITH 30%, UL94 V-0, COLOR: BLACK
  - CONTACT: PHOSPHOR BRONZE
- FINISH:
  - CONTACT: GOLD PLATING (SEE TABLE) ON CONTACT AREA. 2.54um [100u"] MIN. MATTE-TIN PLATING ON SOLDER TAIL AREA. 1.27um [50u"] MIN. NICKEL UNDERPLATING OVERALL.
- CONNECTOR HAS MET THE REQUIREMENTS PER PCI EXPRESS GEN 4 TECHNICAL DOCUMENT.
- REFLOW SOLDER CAPABLE TO 260°C PER TEST SPEC. TEC-109-201, CONDITION B.



108-60121	Y						0.762um [30u"]		5-2372484-4					
108-60121-1	Y	2.55	76.30	70.0	89.0	71.65	0.381um [15u"]	164	4-2372484-4					
	Y						0.0254um [1u"]		3-2372484-4					
108-60121	Y	1.70	76.30	70.0	89.0	71.65	0.762um [30u"]	164	2-2372484-4					
	Y								43.30	37.0	56.0	38.65	98	2-2372484-3
	Y								26.30	20.0	39.0	21.65	64	2-2372484-2
	Y								12.30	6.0	25.0	7.65	36	2-2372484-1
108-60121-1	Y	1.70	76.30	70.0	89.0	71.65	0.381um [15u"]	164	1-2372484-4					
	Y								43.30	37.0	56.0	38.65	98	1-2372484-3
	Y								26.30	20.0	39.0	21.65	64	1-2372484-2
	Y								12.30	6.0	25.0	7.65	36	1-2372484-1
	Y								76.30	70.0	89.0	71.65	164	2372484-4
	Y								43.30	37.0	56.0	38.65	98	2372484-3
	Y								26.30	20.0	39.0	21.65	64	2372484-2
	Y								12.30	6.0	25.0	7.65	36	2372484-1
PRODUCT SPEC	CAP (Y/N)	DIM. M	DIM. D	DIM. C	DIM. B	DIM. A	MIN. GOLD THICKNESS	POSITION	PART NUMBER					

THIS DRAWING IS A CONTROLLED DOCUMENT.

DWN TONY LI 13APR2020  
CHK ALEX SHOAL 13APR2020  
APVD HOPE LU 13APR2020

NAME: PCI EXPRESS GEN4 CARD EDGE CONNECTOR STRADDLE MOUNT TYPE

PRODUCT SPEC: SEE TABLE

APPLICATION SPEC: -

SIZE: A3 CAGE CODE: 00779 DRAWING NO: C-2372484 RESTRICTED TO: -

WEIGHT: 0

CUSTOMER DRAWING SCALE: 1:1 SHEET: 1 OF 4 REV: A

4

3

2

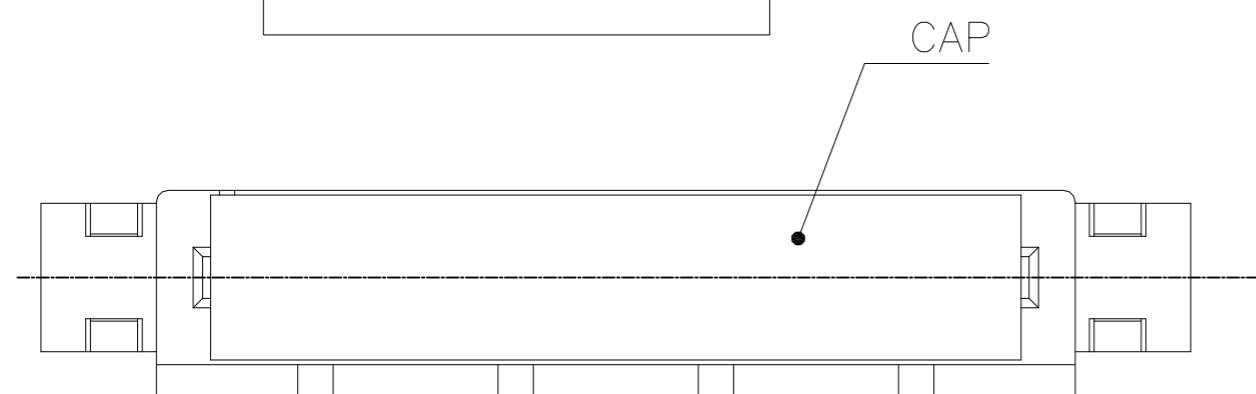
1

© - TE Connectivity. All Rights Reserved.

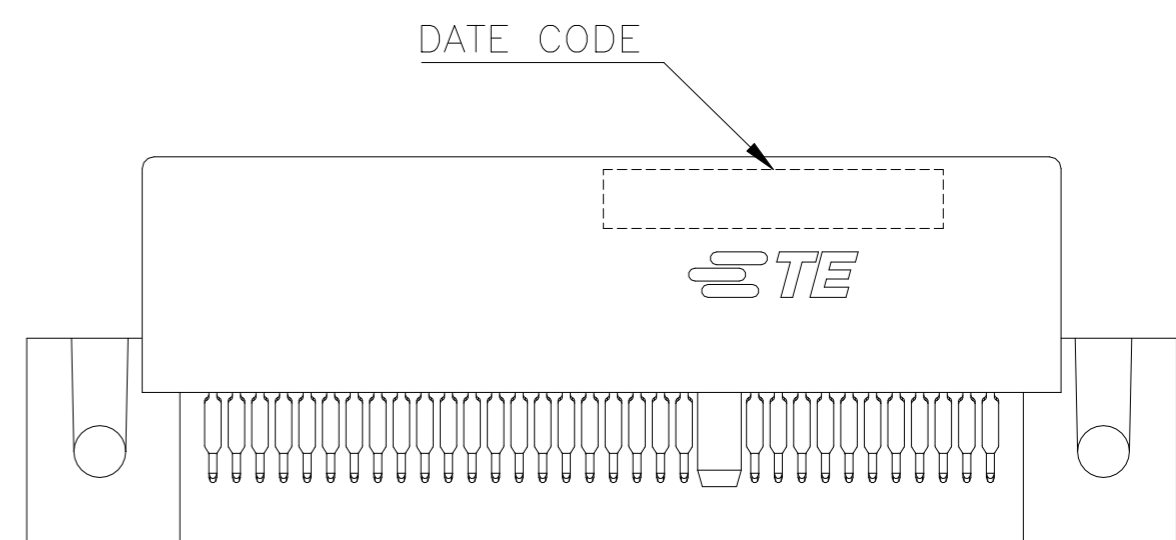
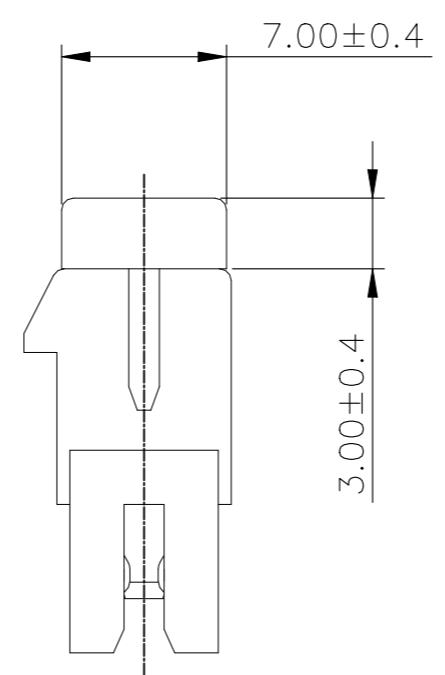
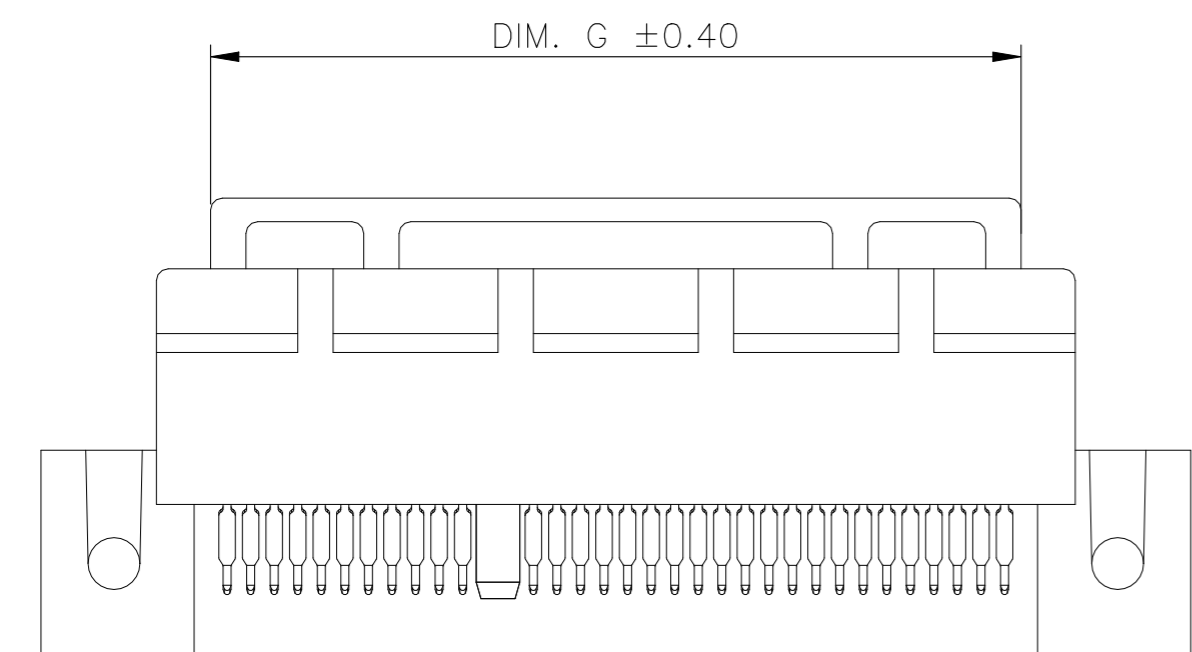
REVISIONS


P	LTR	DESCRIPTION	DATE	DWN	APVD
-	-	SEE SHEET 1	-	-	-

WITH CAP



164	84.4
98	51.4
64	34.4
36	20.4
POSITION	DIM G



THIS DRAWING IS A CONTROLLED DOCUMENT.		DWN TONY LI 13APR2020	 TE Connectivity Ltd.			
DIMENSIONS: mm		CHK ALEX SHOAL 13APR2020				
TOLERANCES UNLESS OTHERWISE SPECIFIED:		APVD HOPE LU 13APR2020	NAME PCI EXPRESS GEN4 CARD EDGE CONNECTOR STRADDLE MOUNT TYPE			
0 PLC ± - 1 PLC ± - 2 PLC ± - 3 PLC ± - 4 PLC ± - ANGLES ± -		PRODUCT SPEC SEE TABLE	RESTRICTED TO			
MATERIAL SEE NOTE		FINISH SEE NOTE	APPLICATION SPEC -	SIZE A3	CAGE CODE 00779	DRAWING NO C-2372484
CUSTOMER DRAWING			WEIGHT 0	SCALE 1:1	SHEET 2 OF 4	REV A

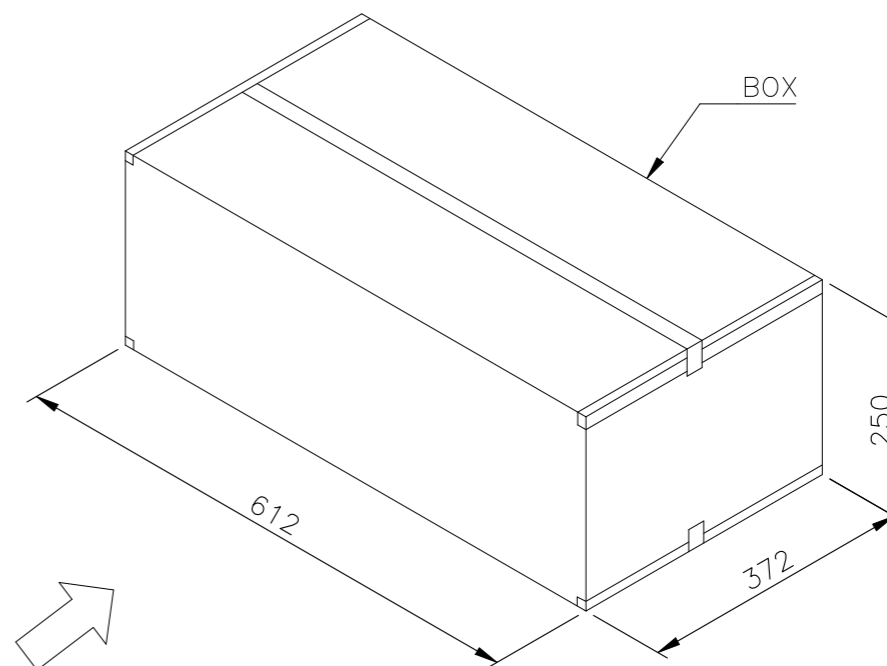
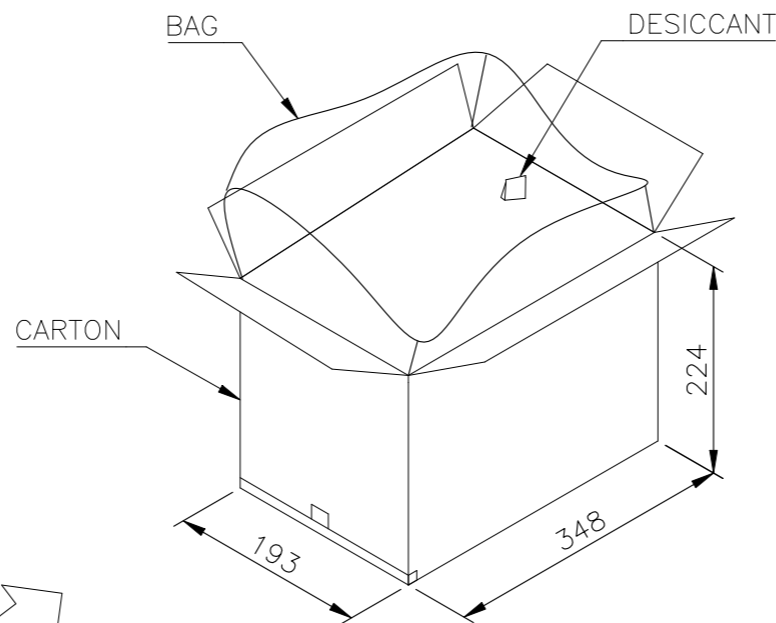
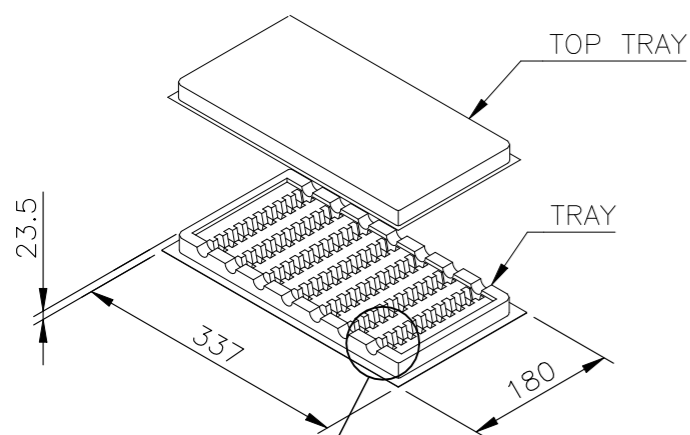


REVISIONS

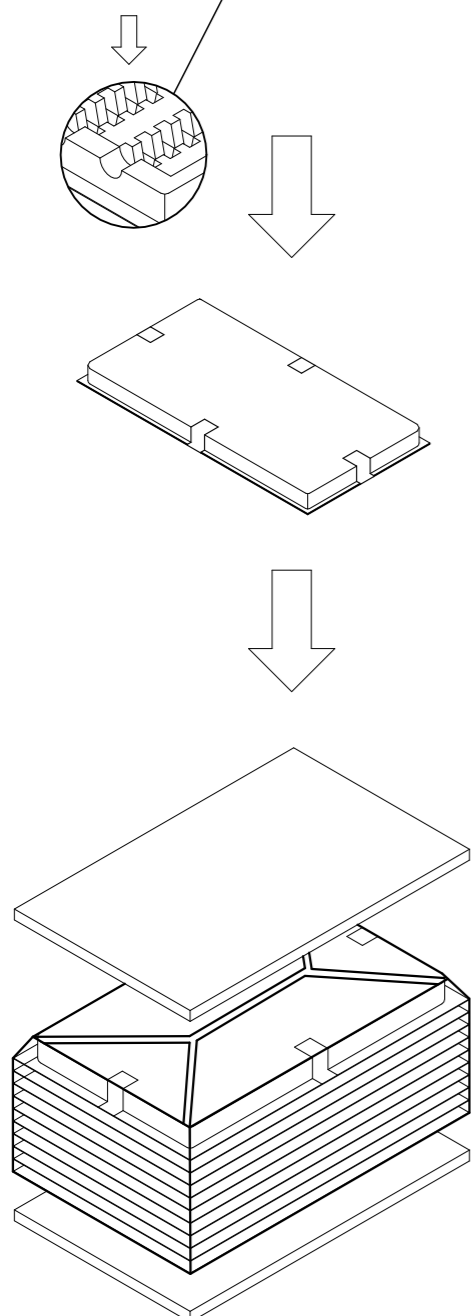
P	LTR	DESCRIPTION	DATE	DWN	APVD
-	-	SEE SHEET 1	-	-	-

NOTES :

- MATERIAL :  
 TRAY: PVC, COLOR: TRANSPARENT.  
 CARTON: CORRUGATED FIBER  
 BOX: CORRUGATED FIBER  
 TRANSPARENT BAG: PE, SIZE: 480mm\*350mm\*0.06mm  
 600mm\*590mm\*0.06mm
- EACH BAG SHALL BE INCLUDED:  
 \* DESICCANT



30	10	3	900	164
40	10	3	1200	98
50	10	3	1500	64
70	10	3	2100	36
PCS/ TRAY	TRAY/ CARTON	CARTON/ BOX	PCS/ BOX	POS



THIS DRAWING IS A CONTROLLED DOCUMENT.

DIMENSIONS: mm		TOLERANCES UNLESS OTHERWISE SPECIFIED:	
		0 PLC	± -
		1 PLC	± -
		2 PLC	± -
		3 PLC	± -
		4 PLC	± -
MATERIAL SEE NOTE		FINISH SEE NOTE	

DWN	TONY LI	13APR2020
CHK	ALEX SHOAL	13APR2020
APVD	HOPE LU	13APR2020
PRODUCT SPEC	SEE TABLE	
APPLICATION SPEC	-	
WEIGHT	0	

		TE Connectivity Ltd.	
		NAME	
PCI EXPRESS GEN4 CARD EDGE CONNECTOR		STRADDLE MOUNT TYPE	
SIZE	CAGE CODE	DRAWING NO	RESTRICTED TO
A3	00779	C-2372484	-
CUSTOMER DRAWING		SCALE	SHEET
		1:1	4 OF 4
		REV	A