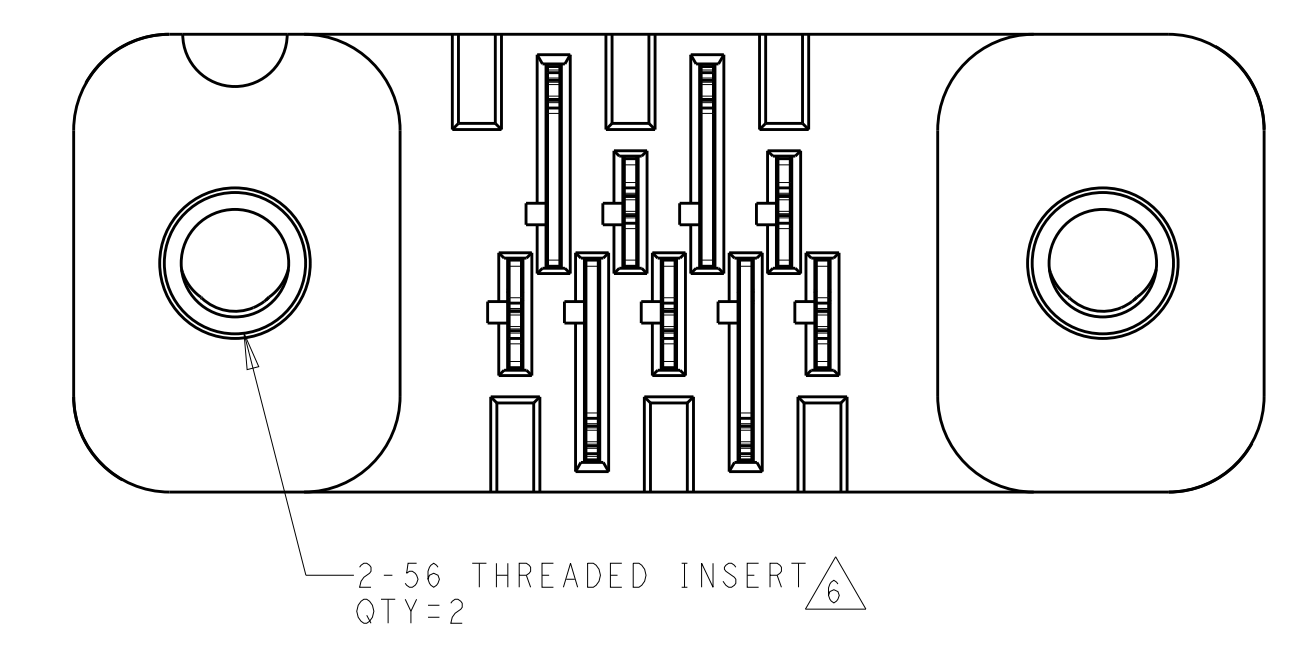
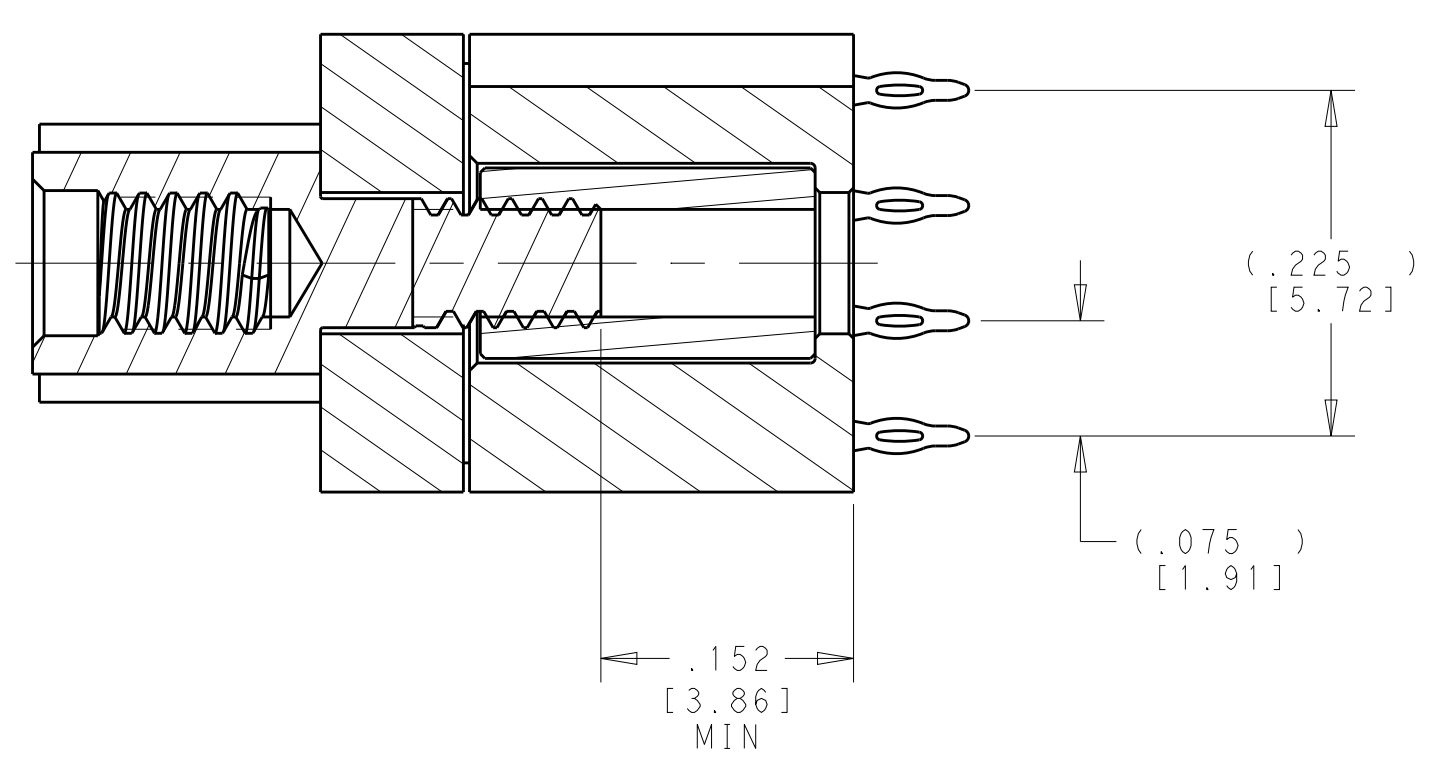
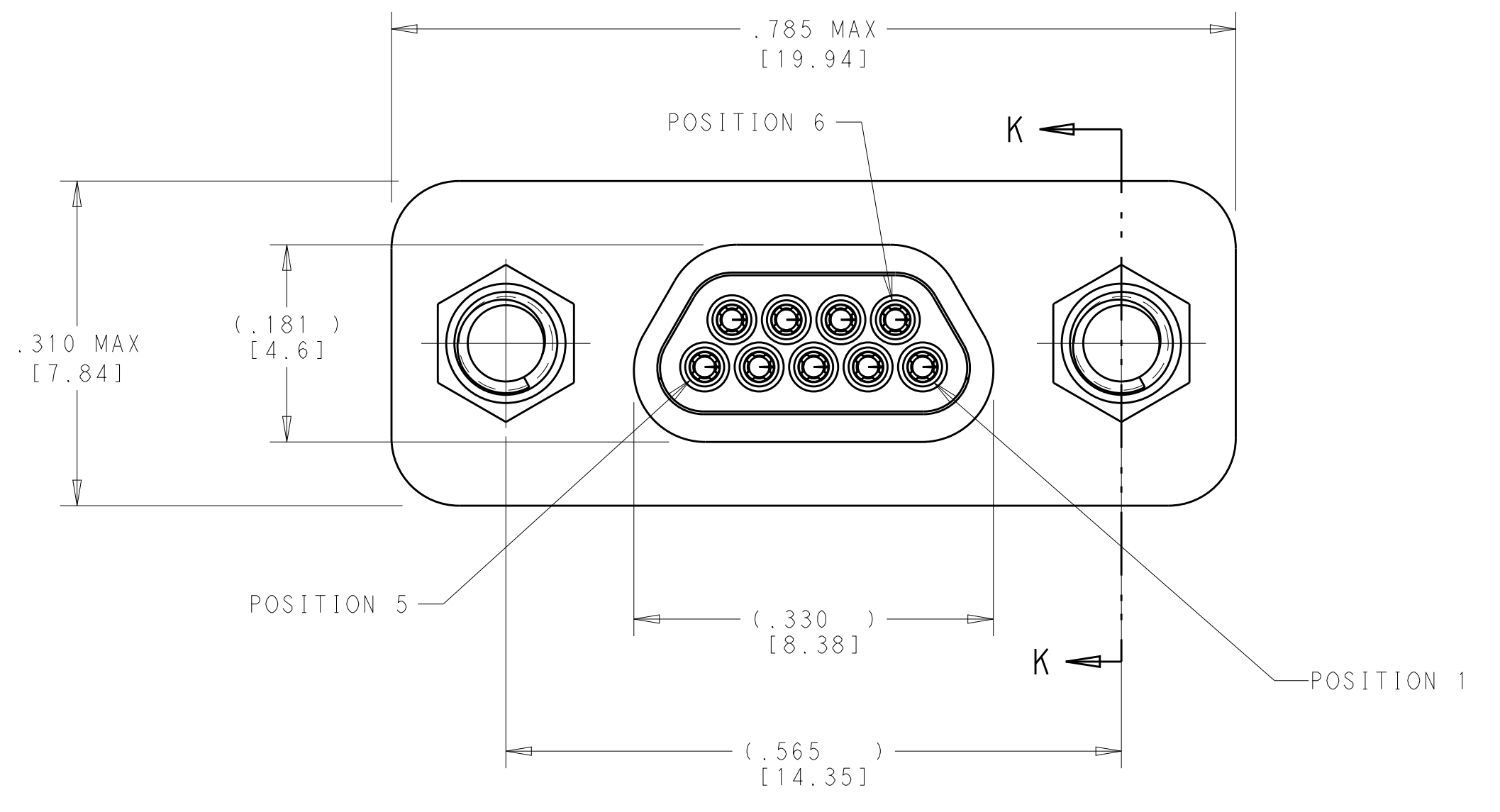
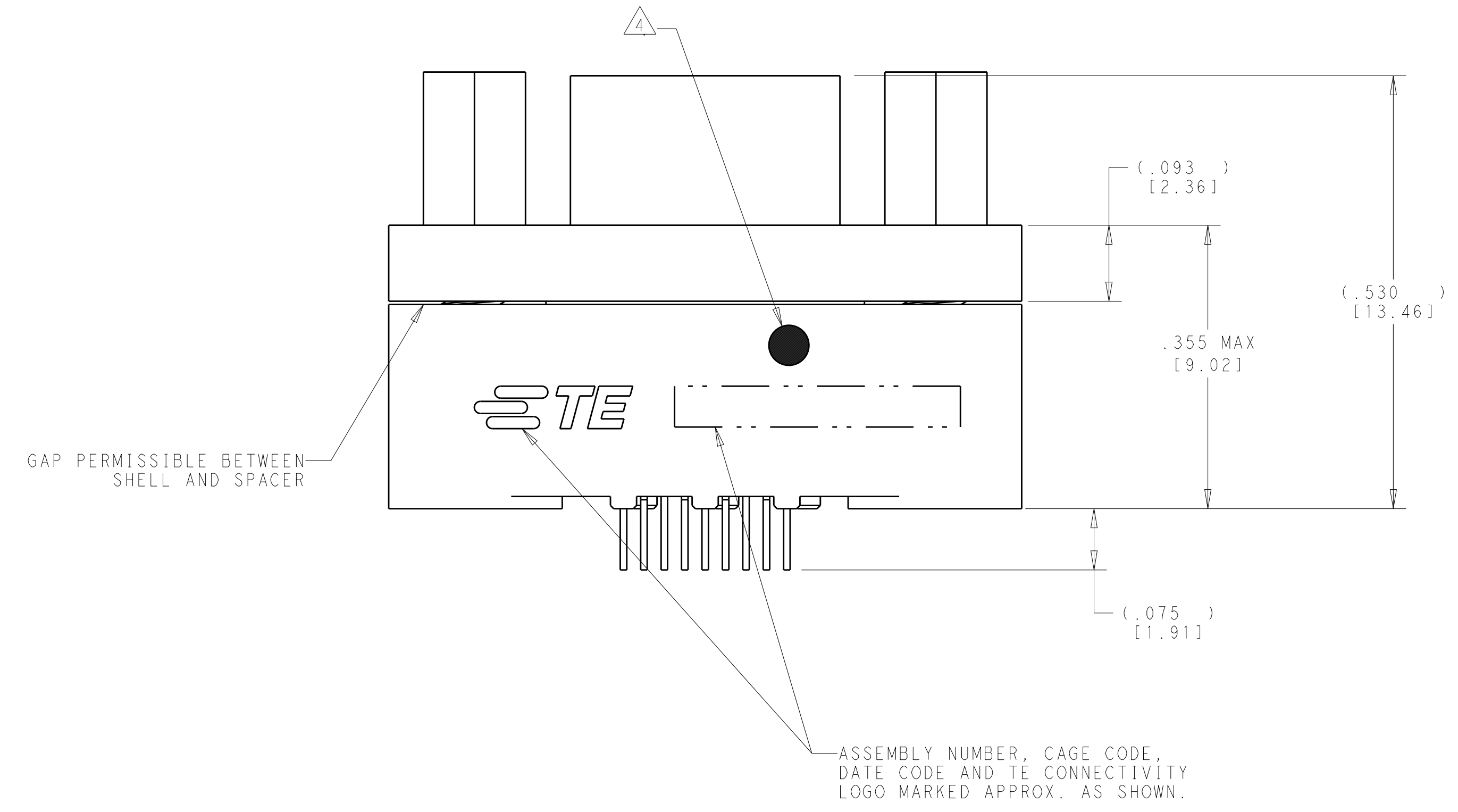
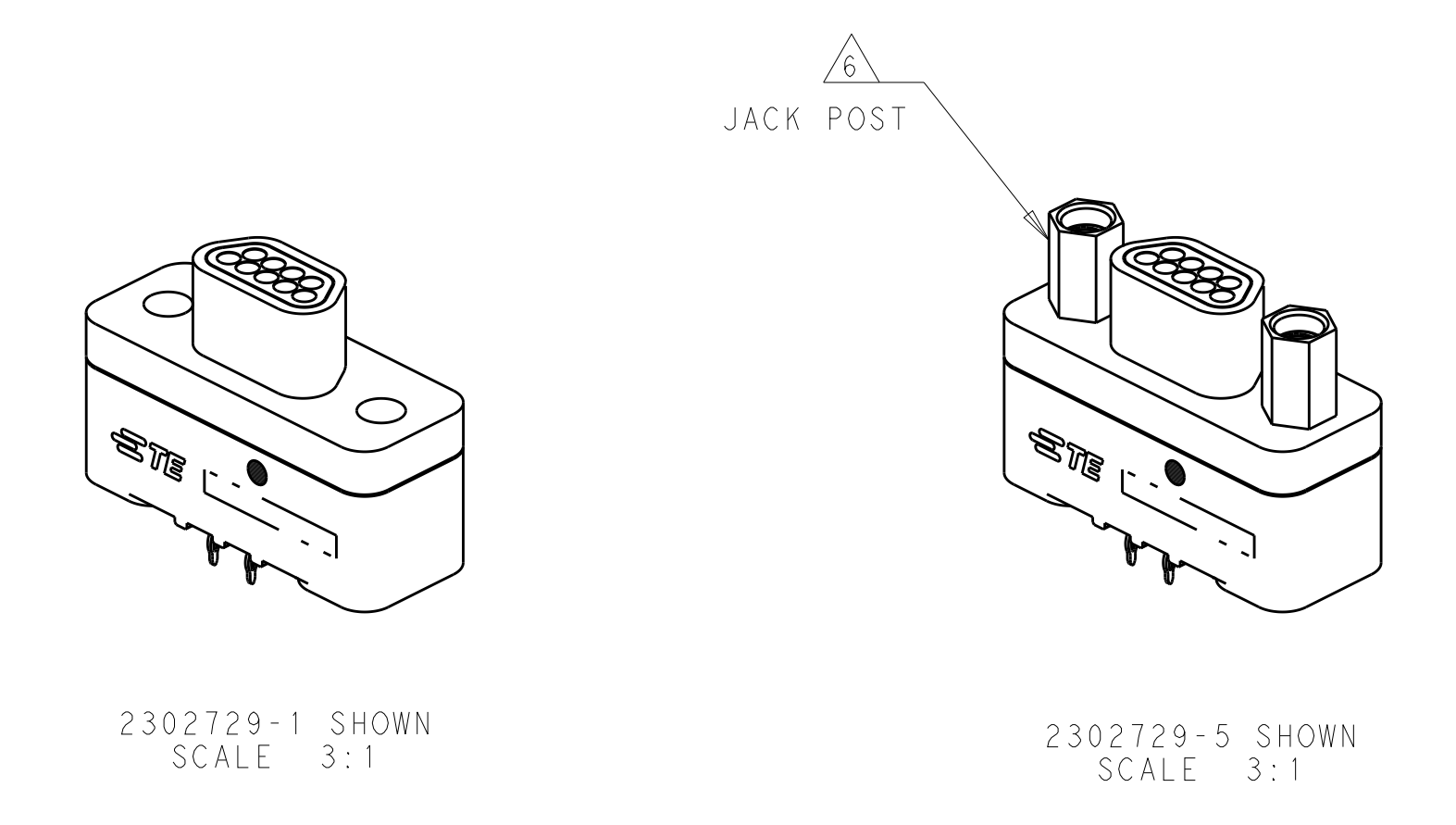


| REVISIONS |      |             |           |        |
|-----------|------|-------------|-----------|--------|
| REV       | DATE | DESCRIPTION | BY        | APPD   |
| 1         |      | PROPOSED    | 24SEP2016 | DCB KA |



SECTION K-K



|                      |                             |               |                 |                  |             |
|----------------------|-----------------------------|---------------|-----------------|------------------|-------------|
| Au                   | THREADED INSERT / JACK POST | BLACK ZINC    | ALUMINUM        | TBD              | 3-2302729-0 |
| SnPb                 | THREADED INSERT / JACK POST | BLACK ZINC    | ALUMINUM        | TBD              | 2-2302729-9 |
| Au                   | THRU-HOLE                   | BLACK ZINC    | ALUMINUM        | TBD              | 2-2302729-8 |
| SnPb                 | THRU-HOLE                   | BLACK ZINC    | ALUMINUM        | TBD              | 2-2302729-7 |
| Au                   | THREADED INSERT             | BLACK ZINC    | ALUMINUM        | TBD              | 2-2302729-6 |
| SnPb                 | THREADED INSERT             | BLACK ZINC    | ALUMINUM        | TBD              | 2-2302729-5 |
| Au                   | THREADED INSERT / JACK POST | PTFE          | ALUMINUM        | TBD              | 2-2302729-4 |
| SnPb                 | THREADED INSERT / JACK POST | PTFE          | ALUMINUM        | TBD              | 2-2302729-3 |
| Au                   | THRU-HOLE                   | PTFE          | ALUMINUM        | TBD              | 2-2302729-2 |
| SnPb                 | THRU-HOLE                   | PTFE          | ALUMINUM        | TBD              | 2-2302729-1 |
| Au                   | THREADED INSERT             | PTFE          | ALUMINUM        | TBD              | 2-2302729-0 |
| SnPb                 | THREADED INSERT             | PTFE          | ALUMINUM        | TBD              | 1-2302729-9 |
| Au                   | THREADED INSERT / JACK POST | PASSIVATED    | STAINLESS STEEL | TBD              | 1-2302729-8 |
| SnPb                 | THREADED INSERT / JACK POST | PASSIVATED    | STAINLESS STEEL | TBD              | 1-2302729-7 |
| Au                   | THRU-HOLE                   | PASSIVATED    | STAINLESS STEEL | TBD              | 1-2302729-6 |
| SnPb                 | THRU-HOLE                   | PASSIVATED    | STAINLESS STEEL | TBD              | 1-2302729-5 |
| Au                   | THREADED INSERT             | PASSIVATED    | STAINLESS STEEL | TBD              | 1-2302729-4 |
| SnPb                 | THREADED INSERT             | PASSIVATED    | STAINLESS STEEL | TBD              | 1-2302729-3 |
| Au                   | THREADED INSERT / JACK POST | CADMIUM       | ALUMINUM        | TBD              | 1-2302729-2 |
| SnPb                 | THREADED INSERT / JACK POST | CADMIUM       | ALUMINUM        | TBD              | 1-2302729-1 |
| Au                   | THRU-HOLE                   | CADMIUM       | ALUMINUM        | TBD              | 1-2302729-0 |
| SnPb                 | THRU-HOLE                   | CADMIUM       | ALUMINUM        | TBD              | 2302729-9   |
| Au                   | THREADED INSERT             | CADMIUM       | ALUMINUM        | TBD              | 2302729-8   |
| SnPb                 | THREADED INSERT             | CADMIUM       | ALUMINUM        | TBD              | 2302729-7   |
| Au                   | THREADED INSERT / JACK POST | NICKEL        | ALUMINUM        | TBD              | 2302729-6   |
| SnPb                 | THREADED INSERT / JACK POST | NICKEL        | ALUMINUM        | TBD              | 2302729-5   |
| Au                   | THRU-HOLE                   | NICKEL        | ALUMINUM        | TBD              | 2302729-4   |
| SnPb                 | THRU-HOLE                   | NICKEL        | ALUMINUM        | TBD              | 2302729-3   |
| Au                   | THREADED INSERT             | NICKEL        | ALUMINUM        | TBD              | 2302729-2   |
| SnPb                 | THREADED INSERT             | NICKEL        | ALUMINUM        | TBD              | 2302729-1   |
| CONTACT TAIL PLATING | MOUNTING STYLE              | SHELL PLATING | SHELL MATERIAL  | MICRODOT PART NO | PART NO     |

- MATERIAL: SHELL: SEE TABLE; CONTACT: COPPER ALLOY; INSULATOR: THERMOPLASTIC; COLOR: BLACK; LEAD ORGANIZER: THERMOPLASTIC; COLOR: BLACK; OPTIONAL HARDWARE: STAINLESS STEEL.
- CONTACT FINISH: MATING AREA: GOLD 50µm [1.27µm] Au MIN OVER 30µm [0.76µm] Ni MIN. COMPLIANT PIN AREA: 15µm [0.51µm] MIN BRIGHT SnPb OVER 50µm [1.27µm] MIN Ni.
- REFERENCE APPLICATION SPEC 114-163000 FOR RECOMMENDED PCB LAYOUT, PLATED THROUGH HOLE DIAMETER AND PLATING THICKNESS. DATUMS AND BASIC DIMENSIONS ESTABLISHED BY CUSTOMER.
- POSITION 1 SHALL BE INDICATED BY AN IDENTIFIABLE MARK, LOCATED APPROXIMATELY AS SHOWN ON THE POSITION 1 SIDE OF THE CONNECTOR FLANGE. THIS MARK SHALL BE INCLUDED AS PART OF THE PART MARKING INFORMATION.
- ALL DIMENSIONS AND REQUIREMENTS ARE PER MIL-DTL-83513/28 (EXCEPT COMPLIANT PINS & PART MARKING).
- THREADED INSERT AND JACK POST 2-56 UNC 2-B CONFIGURATION OPTIONAL.
- CONTACT FINISH: MATING AREA: GOLD 50µm [1.27µm] Au MIN OVER 30µm [0.76µm] Ni MIN. COMPLIANT PIN AREA: 15µm [0.51µm] MIN Au OVER 50µm [1.27µm] MIN Ni.

THIS DRAWING IS A CONTROLLED DOCUMENT. DATE: 24 JUN 2016. DIMENSIONS: INCH (mm). UNQUALIFIED PRODUCT CONTACT PRODUCT ENGINEERING BEFORE USING THIS PRINT. PRELIMINARY. UNQUALIFIED PRODUCT CONTACT PRODUCT ENGINEERING BEFORE USING THIS PRINT. THIS PRINT IS PRELIMINARY. UNQUALIFIED PRODUCT CONTACT PRODUCT ENGINEERING BEFORE USING THIS PRINT. CUSTOMER DRAWING. SCALE: 8:1. SHEET 1 OF 1. REV 1.