

4

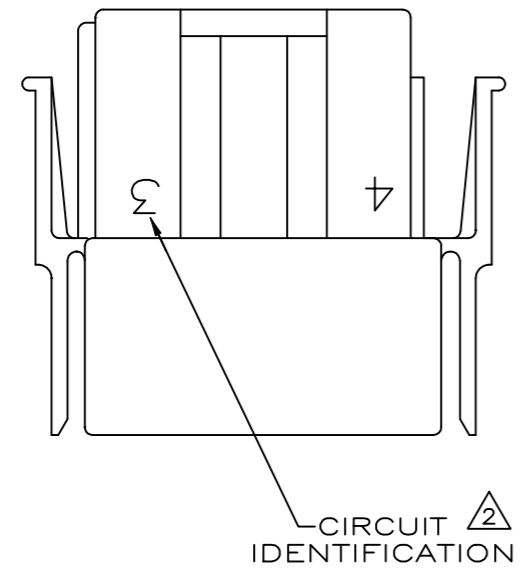
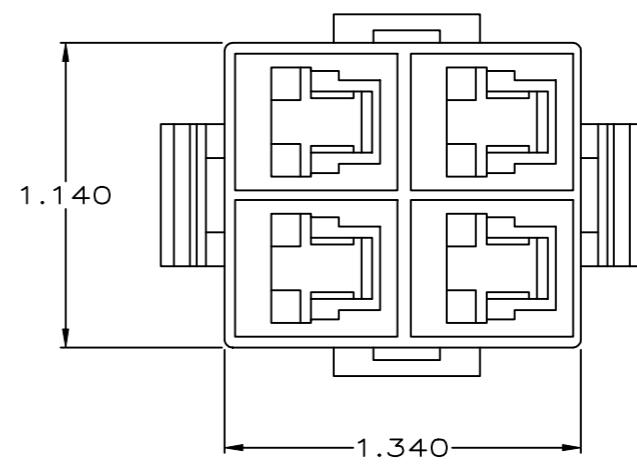
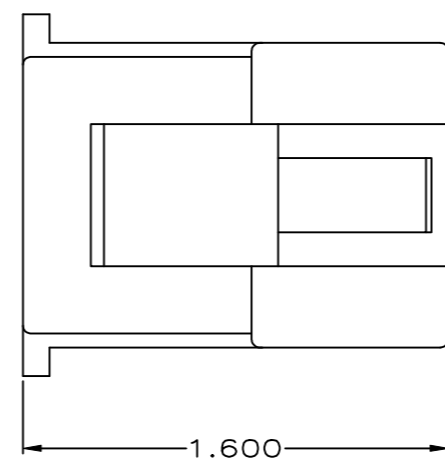
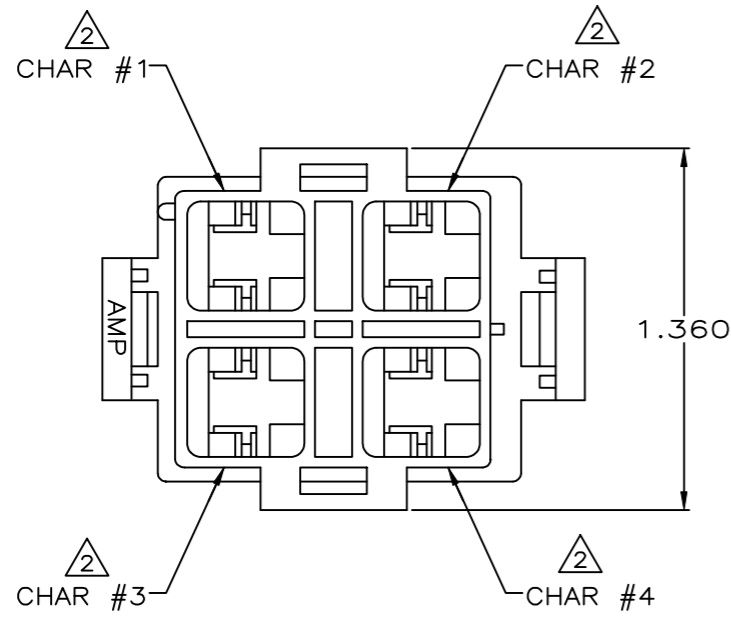
3

2

1

THIS DRAWING IS UNPUBLISHED. RELEASED FOR PUBLICATION. ALL RIGHTS RESERVED.

REVISIONS					
P	LTR	DESCRIPTION	DATE	DWN	APVD
N2		REVISED PER ECO-11-005027	11MAR11	RK	HMR
P		REVISED PER ECO-18-019629	17DEC2018	RS	MZ
R		REVISED PER ECO-19-000322	11JAN2019	RS	MZ



- 1. ACCEPTS TERMINALS 350650 AND 350651.
- 2. CHARACTERS 3 AND 4 MARKED ON NEAR SURFACE AS SHOWN, CHARACTERS 1 AND 2 MARKED ON OPPOSITE SIDE.
- 3. PA 6/66, UL 94V-0 RATED, BLACK
- 4. NYLON, 94V-2 RATED, BLACK.
- 5. OBSOLETE PARTS: OBSOLETE CIS STREAMLINING PER D.RENAUD/D.SINISI

5 OBSOLETE	2	4	643267-3
	3		643267-1
CIRCUIT IDENTIFICATION		MAT'L	PART NUMBER

THIS DRAWING IS A CONTROLLED DOCUMENT.		DWN R.SHIREY 05/15/91	STE TE Connectivity Ltd.	
DIMENSIONS: INCHES		CHK R.STONE 5-22-91		
	TOLERANCES UNLESS OTHERWISE SPECIFIED:		NAME R.WALTER 5-22-91	
	0 PLC	± -	PRODUCT SPEC	
	1 PLC	± -	APPLICATION SPEC	
	2 PLC	± -	SIZE CAGE CODE DRAWING NO RESTRICTED TO	
3 PLC	± .020	WEIGHT - A2 00779 C-643267		
4 PLC	± -	CUSTOMER DRAWING		
ANGLES	± -	SCALE 2:1 SHEET 1 of 1 REV R		
MATERIAL SEE TABLE	FINISH -			

643267

B

A